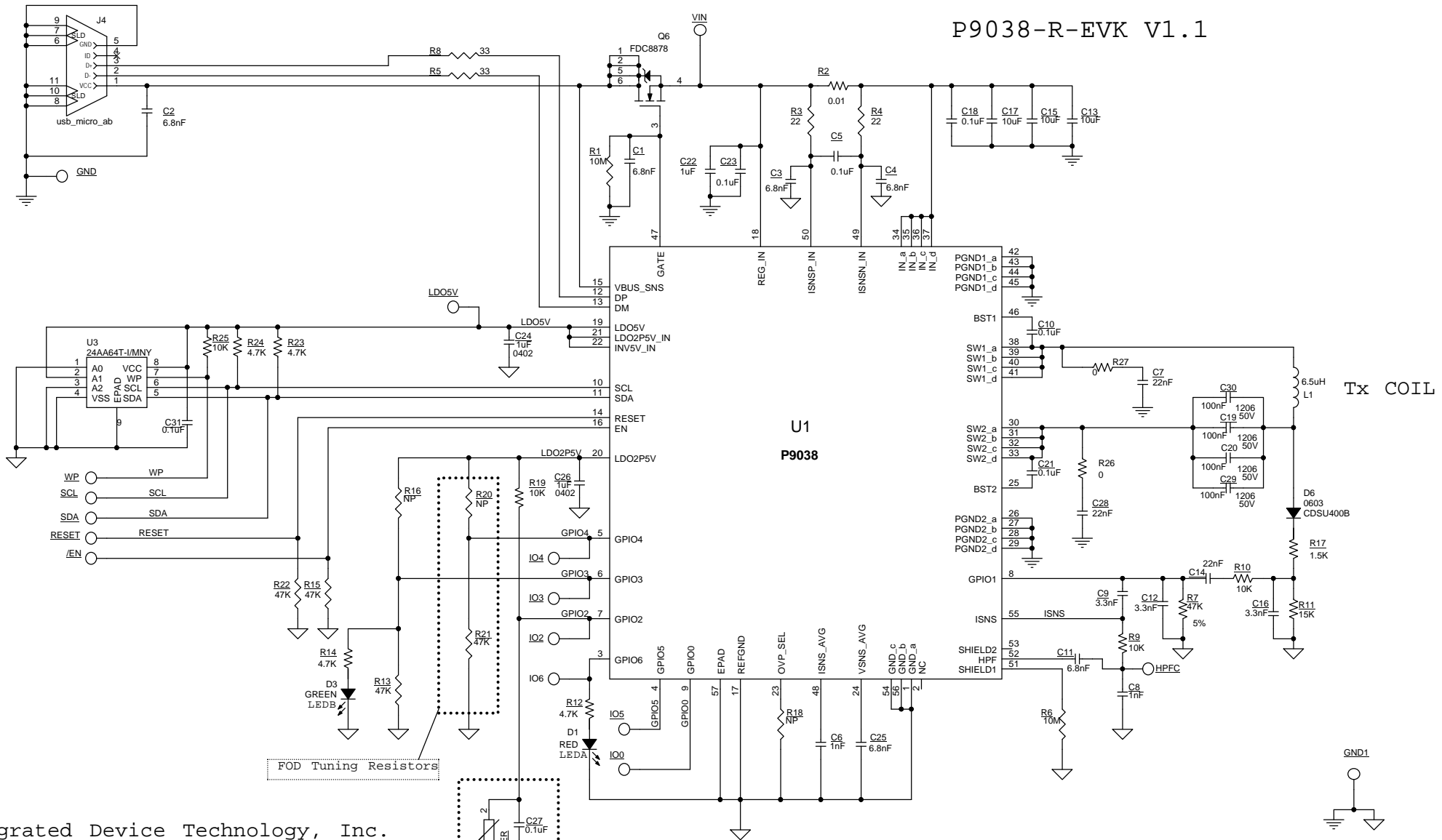


P9038-R-EVK V1.1



Integrated Device Technology, Inc.

THIS DOCUMENT CONTAINS INFORMATION PROPRIETARY TO Integrated Device Technology, Inc. (IDT). USE OR DISCLOSURE WITHOUT THE WRITTEN PERMISSION OF AN OFFICER OF IDT IS EXPRESSLY FORBIDDEN

DO NOT MODIFY THE VOLTAGE SPECIFICATION OF CAPACITORS: C13, C18, C17, C15, C19, C20, C29, C30

Title		P9038-R-EVK V1.1	
Size	Document Number	305-PD-15-0260	
B		Rev 1	
Date:	Wednesday, July 15, 2015	Sheet	2 of 2