

RE Partner Solution

NGK EnerCera[®] Battery Series



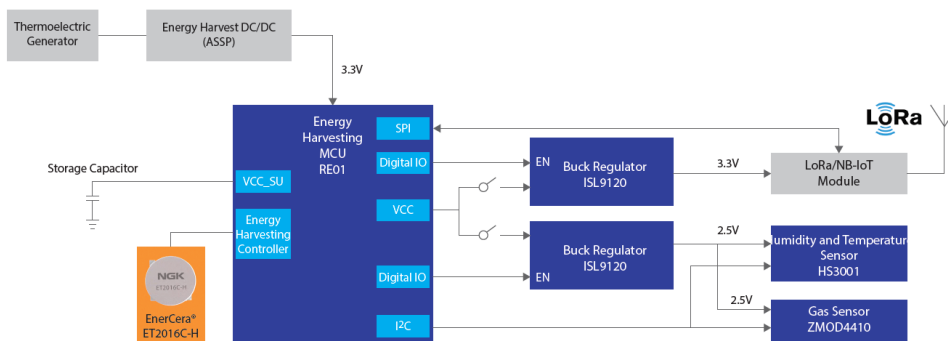
Solution Summary

EnerCera battery series is ultra-thin, high-heat-resistance, and high-power Lithium-ion rechargeable batteries best suited for IoT devices. EnerCera has two types: "EnerCera Coin," a coin type cell, 1 mm to 2 mm thick, for mounting on a circuit board, and "EnerCera Pouch," an ultra-thin and bendable cell, 0.45 mm thick.

Features/Benefits

- EnerCera Coin
 - Can be mounted on circuit boards using reflow soldering
 - Can be charged at constant voltage
 - Can output high power
 - Can withstand high temperature (up to 105 degree C)
- EnerCera Pouch
 - Can be mounted on curved shape thanks to its thinness and bendability
 - Can be mounted using the hot lamination process
 - Can be charged rapidly
 - Can output high power

Block Diagram



Energy Harvester Powered Smart Agriculture Sensing with EnerCera Coin and [RE MCU](#)

Target Markets and Applications

- | | | |
|-----------------------------|-----------------------------|---------------------------|
| • IoT Devices | • Smart Card/ Smart Key | • Energy Harvesting |
| • Automotive Interior | • Real Time Location System | • Wireless Power Transfer |
| • Tire Sensor | • Wearable Devices | • Medical Patch |
| • Factory Automation Backup | • Remote Controller | • Sensor Tags |
- Power Source for Sequencers etc.

<https://enercera.ngk-insulators.com/en/>



NGK INSULATORS

Company Name	NGK INSULATORS, LTD.	
Headquarters Address	2-56 Suda cho, Mizuho, Nagoya 467-8530, Japan	
Establishment	May 5, 1919	
Net Sales	442.0 Billion yen (Consolidated. For the year ended March 31, 2020)	
Employees	<u>NGK</u> 4,224 (As of March 31, 2020) <u>Consolidated</u> 20,000 (As of March 31, 2020)	
Business	Manufacture and sale of electric power related equipment including insulators, and of ceramic catalyst carrier for exhausted gas purification, and of industrial products, and of beryllium copper products.	
Offices	Headquarters	Nagoya
	Main Office	Tokyo
	Branch	Osaka
	Sales Offices	Sapporo, Sendai, Toyama, Hiroshima, Takamatsu and Fukuoka
	Plants & Laboratories	Nagoya, Chita, Komaki and Ishikawa
	Overseas Branches	U.S.A., Mexico, France, Belgium, Poland, Thailand, Australia, Indonesia, China, South Africa etc.
Web site	NGK – Corporate Site	https://www.ngk-insulators.com/en/
	EnerCera BatterySeries Special Site	https://enercera.ngk-insulators.com/en/