

RE Partner Solution SHARP Memory LCD



Solution Summary

Memory LCD is the perfect solution for compact handheld, wearable, and other small-screen applications. Embedded, 1-bit memory in every pixel allows for an always-on display capable of delivering high-contrast with ultra-low power consumption.

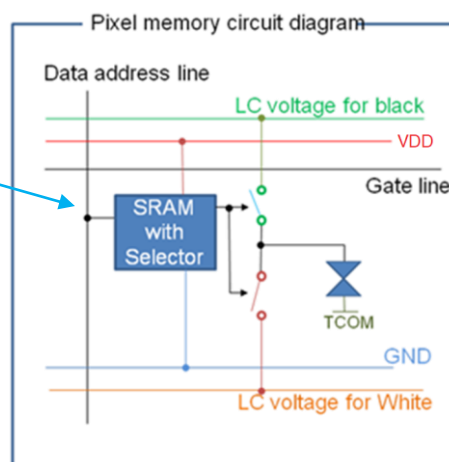
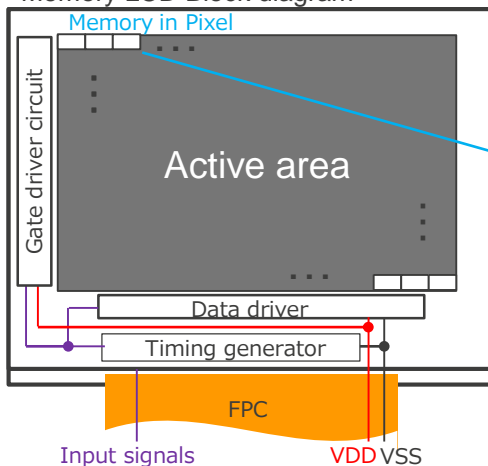
Features/Benefits

- Ultra-low power consumption (Capable of holding static images with only a several tens of μW)
- High contrast
- Low-reflection LCD technology
 - Less susceptible to external light, even in bright outdoor conditions, for improved visibility

Diagrams/Graphics

- Memory LCD is one kind of a Liquid Crystal Display, composed of pixel with SRAM, Gate driver, Timing generator, as a monolithic circuit on glass.
- No need for data transmission from outside of a module in the case of still image display.

Memory LCD Block diagram



Target Markets and Applications

- Compact handheld
- Wearable
- Cycle computers
- DSLR cameras

SHARP

Company Name	Sharp Display Technology Corporation
Headquarters Address	464 Kohgawa, Shiraki-cho, Kameyama, Mie 519-0198, Japan