

Achieving Excellent Audio Performance in Digitally Controlled Pots

Recently, Intersil embarked on a campaign to inform the multimedia and home consumer entertainment communities about the excellent audio characteristics and ease of use of Intersil's Digitally Controlled Potentiometers (XDCCPs™). To prove this claim, a standard XDCCP was subjected to a battery of tests. The following testing parameters were chosen:

Signal to Noise Ratio (SNR)—the ratio of the normal operating level of the device compared with the device's baseline noise floor. SNR can be thought of as the effective dynamic range of most types of analog audio devices. The higher the SNR number, the better. SNRs exceeding 120dB are now necessary for today's low-noise, digital stereo and six-channel home theater audio entertainment systems. Another good rule of thumb for SNR is to put the Device Under Test (DUT) into a very low noise/quiet audio playback system. Then turn the DUT up to full volume, without any input signal, and listen for any increase in broadband noise at the playback output transducer (speaker/headphones).

Total Harmonic Distortion + Noise (THD+N)—measured by attenuating the fundamental signal (1 kHz @ 0dB) with a narrow-band notch filter, then measuring the remaining signals, which consist of harmonics of various order, wide-band noise, and possibly interfering signals. THD+N causes audio signals to become smeared and less clear. It can also raise baseline noise levels, which tend to mask out low level audio information. Creating extra signals and adding them back into the final output is always a BAD thing.

Frequency Response—where an audio sine wave signal is generated to sweep across the frequency range of 20 Hz to 20 kHz and is then applied to the input of the DCP. The output signal of the DCP is then measured for any amplitude variations. In a good device the output signal level will not vary more than $\pm .1$ dB over the entire measurement frequency range. Variations in frequency response can cause audio signals to sound "dull and muted" or "bright and edgy."

A Two Tone Harmonic Test (18 + 19 kHz) takes two zero dB sine wave signals at a selected frequency spacing and feeds them into the DCP. The DCP output is then measured across the entire audible audio range (20 Hz to 20 kHz) to see if any signals appear that are the results of the addition and subtraction of the two original signals (harmonics). Figure 1 shows sample test results and the test setup. This test is useful in revealing audio frequency anomalies, which can be created by bad layout, non-linear responses, stray capacitance, and other circuit abnormalities.

Stepping Noise (must be below audibility)—A high quality playback system is employed, along with a DCP as the main system volume control, to listen for any "clicking" or "burping" associated with level control adjustment. Noise audibility of any kind that is a result of changing the output signal level using the DCP is unacceptable.

Channel Separation—where a zero dB 1 kHz signal is inserted into one channel of a multichannel system and the other adjacent channel/channels are left floating. The floating channels are then measured for signal content. The level of the signals measured on the floating channels referenced to the 0dB 1 kHz signal channel is the "separation" specification number expressed in negative dB. The more negative the number, the better the circuit. A separation of 100 dB between left and right channels in any audio type of equipment is a good number.

Results of tests on an X9408 XDCCP

1. Signal to Noise Ratio (SNR): -127dB
2. Total Harmonic Distortion + Noise (THD+N): -117dB
3. Frequency Response 20 Hz to 20 kHz: $\pm .05$ dB
4. Two Tone Harmonic Test (18 + 19 kHz): (see graph)
5. Channel Separation (chan 1 to 3 on the 9408): -100dB
6. Stepping Noise: inaudible

The results of these tests indicate that XDCCPs are well-suited to applications that require low-distortion audio signal level control. Furthermore, with their simple serial interface, XDCCPs are easy to implement, making them the level control part of choice for the next century.

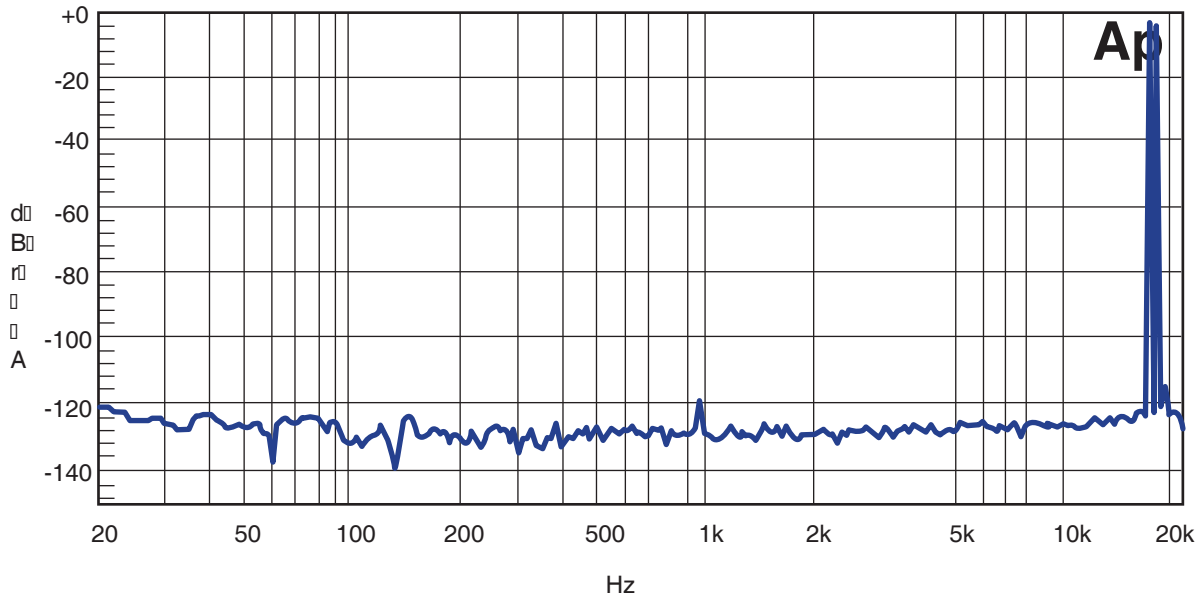


FIGURE 1A. AN AUDIO PRECISION 2 (AP2) GRAPH OF A TWO TONE (18+19 KHZ) MEASUREMENT MADE WITH A INTERSIL X9408 DCP

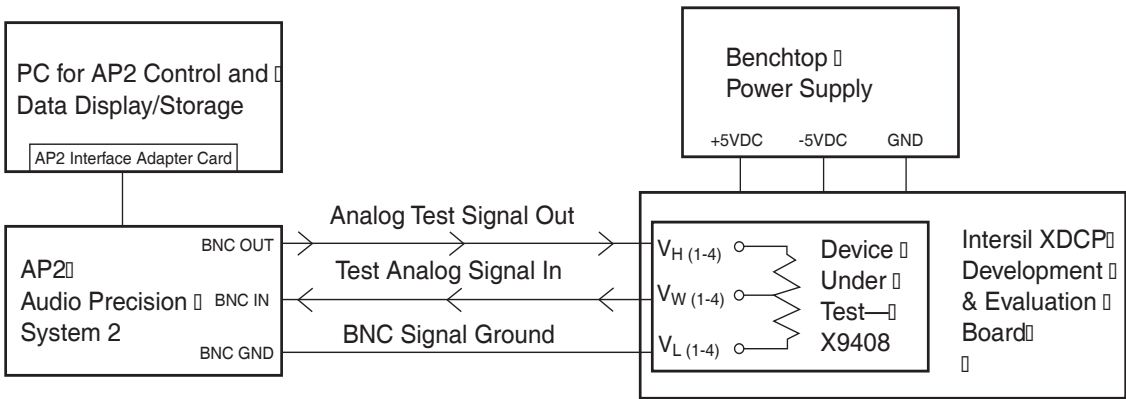


FIGURE 1B. AUDIO MEASUREMENT TEST SETUP

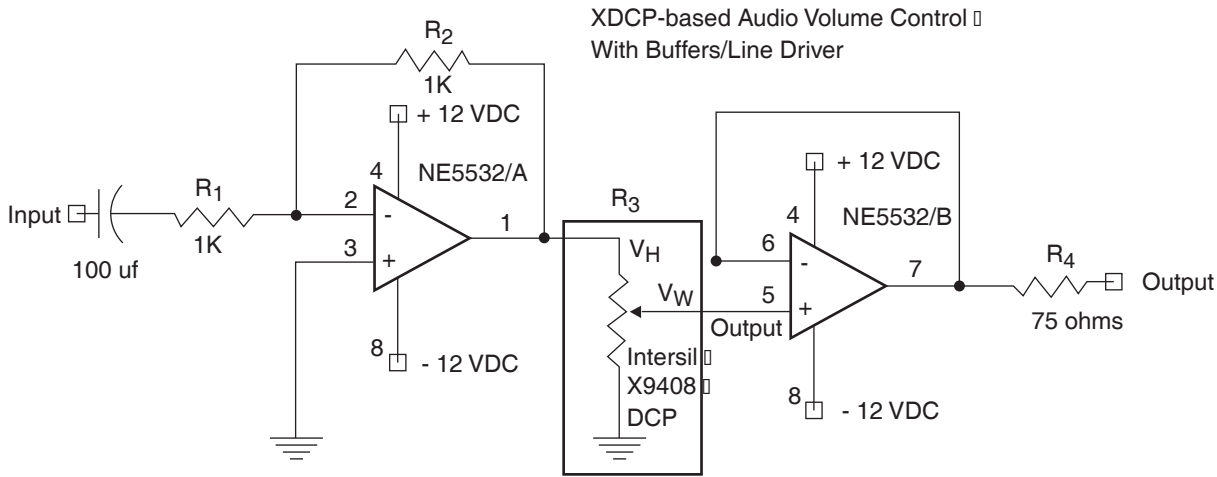


FIGURE 2. EXAMPLE APPLICATION OF A INTERSIL XDCP USED AS A VOLUME CONTROL

Notice

1. Descriptions of circuits, software and other related information in this document are provided only to illustrate the operation of semiconductor products and application examples. You are fully responsible for the incorporation or any other use of the circuits, software, and information in the design of your product or system. Renesas Electronics disclaims any and all liability for any losses and damages incurred by you or third parties arising from the use of these circuits, software, or information.
2. Renesas Electronics hereby expressly disclaims any warranties against and liability for infringement or any other claims involving patents, copyrights, or other intellectual property rights of third parties, by or arising from the use of Renesas Electronics products or technical information described in this document, including but not limited to, the product data, drawings, charts, programs, algorithms, and application examples.
3. No license, express, implied or otherwise, is granted hereby under any patents, copyrights or other intellectual property rights of Renesas Electronics or others.
4. You shall not alter, modify, copy, or reverse engineer any Renesas Electronics product, whether in whole or in part. Renesas Electronics disclaims any and all liability for any losses or damages incurred by you or third parties arising from such alteration, modification, copying or reverse engineering.
5. Renesas Electronics products are classified according to the following two quality grades: "Standard" and "High Quality". The intended applications for each Renesas Electronics product depends on the product's quality grade, as indicated below.
"Standard": Computers; office equipment; communications equipment; test and measurement equipment; audio and visual equipment; home electronic appliances; machine tools; personal electronic equipment; industrial robots; etc.
"High Quality": Transportation equipment (automobiles, trains, ships, etc.); traffic control (traffic lights); large-scale communication equipment; key financial terminal systems; safety control equipment; etc.
Unless expressly designated as a high reliability product or a product for harsh environments in a Renesas Electronics data sheet or other Renesas Electronics document, Renesas Electronics products are not intended or authorized for use in products or systems that may pose a direct threat to human life or bodily injury (artificial life support devices or systems; surgical implantations; etc.), or may cause serious property damage (space system; undersea repeaters; nuclear power control systems; aircraft control systems; key plant systems; military equipment; etc.). Renesas Electronics disclaims any and all liability for any damages or losses incurred by you or any third parties arising from the use of any Renesas Electronics product that is inconsistent with any Renesas Electronics data sheet, user's manual or other Renesas Electronics document.
6. When using Renesas Electronics products, refer to the latest product information (data sheets, user's manuals, application notes, "General Notes for Handling and Using Semiconductor Devices" in the reliability handbook, etc.), and ensure that usage conditions are within the ranges specified by Renesas Electronics with respect to maximum ratings, operating power supply voltage range, heat dissipation characteristics, installation, etc. Renesas Electronics disclaims any and all liability for any malfunctions, failure or accident arising out of the use of Renesas Electronics products outside of such specified ranges.
7. Although Renesas Electronics endeavors to improve the quality and reliability of Renesas Electronics products, semiconductor products have specific characteristics, such as the occurrence of failure at a certain rate and malfunctions under certain use conditions. Unless designated as a high reliability product or a product for harsh environments in a Renesas Electronics data sheet or other Renesas Electronics document, Renesas Electronics products are not subject to radiation resistance design. You are responsible for implementing safety measures to guard against the possibility of bodily injury, injury or damage caused by fire, and/or danger to the public in the event of a failure or malfunction of Renesas Electronics products, such as safety design for hardware and software, including but not limited to redundancy, fire control and malfunction prevention, appropriate treatment for aging degradation or any other appropriate measures. Because the evaluation of microcomputer software alone is very difficult and impractical, you are responsible for evaluating the safety of the final products or systems manufactured by you.
8. Please contact a Renesas Electronics sales office for details as to environmental matters such as the environmental compatibility of each Renesas Electronics product. You are responsible for carefully and sufficiently investigating applicable laws and regulations that regulate the inclusion or use of controlled substances, including without limitation, the EU RoHS Directive, and using Renesas Electronics products in compliance with all these applicable laws and regulations. Renesas Electronics disclaims any and all liability for damages or losses occurring as a result of your noncompliance with applicable laws and regulations.
9. Renesas Electronics products and technologies shall not be used for or incorporated into any products or systems whose manufacture, use, or sale is prohibited under any applicable domestic or foreign laws or regulations. You shall comply with any applicable export control laws and regulations promulgated and administered by the governments of any countries asserting jurisdiction over the parties or transactions.
10. It is the responsibility of the buyer or distributor of Renesas Electronics products, or any other party who distributes, disposes of, or otherwise sells or transfers the product to a third party, to notify such third party in advance of the contents and conditions set forth in this document.
11. This document shall not be reprinted, reproduced or duplicated in any form, in whole or in part, without prior written consent of Renesas Electronics.
12. Please contact a Renesas Electronics sales office if you have any questions regarding the information contained in this document or Renesas Electronics products.
(Note 1) "Renesas Electronics" as used in this document means Renesas Electronics Corporation and also includes its directly or indirectly controlled subsidiaries.
(Note 2) "Renesas Electronics product(s)" means any product developed or manufactured by or for Renesas Electronics.

(Rev.4.0-1 November 2017)



SALES OFFICES

Renesas Electronics Corporation

<http://www.renesas.com>

Refer to "<http://www.renesas.com/>" for the latest and detailed information.

Renesas Electronics America Inc.
1001 Murphy Ranch Road, Milpitas, CA 95035, U.S.A.
Tel: +1-408-432-8888, Fax: +1-408-434-5351

Renesas Electronics Canada Limited
9251 Yonge Street, Suite 8309 Richmond Hill, Ontario Canada L4C 9T3
Tel: +1-905-237-2004

Renesas Electronics Europe Limited
Dukes Meadow, Millboard Road, Bourne End, Buckinghamshire, SL8 5FH, U.K.
Tel: +44-1628-651-700, Fax: +44-1628-651-804

Renesas Electronics Europe GmbH
Arcadiastrasse 10, 40472 Düsseldorf, Germany
Tel: +49-211-6503-0, Fax: +49-211-6503-1327

Renesas Electronics (China) Co., Ltd.
Room 1709 Quantum Plaza, No.27 ZhichunLu, Haidian District, Beijing, 100191 P. R. China
Tel: +86-10-8235-1155, Fax: +86-10-8235-7679

Renesas Electronics (Shanghai) Co., Ltd.
Unit 301, Tower A, Central Towers, 555 Langao Road, Putuo District, Shanghai, 200333 P. R. China
Tel: +86-21-2226-0888, Fax: +86-21-2226-0999

Renesas Electronics Hong Kong Limited
Unit 1601-1611, 16/F., Tower 2, Grand Century Place, 193 Prince Edward Road West, Mongkok, Kowloon, Hong Kong
Tel: +852-2265-6688, Fax: +852-2886-9022

Renesas Electronics Taiwan Co., Ltd.
13F, No. 363, Fu Shing North Road, Taipei 10543, Taiwan
Tel: +886-2-8175-9600, Fax: +886-2-8175-9670

Renesas Electronics Singapore Pte. Ltd.
80 Bendemeer Road, Unit #06-02 Hyflux Innovation Centre, Singapore 339949
Tel: +65-6213-0200, Fax: +65-6213-0300

Renesas Electronics Malaysia Sdn.Bhd.
Unit 1207, Block B, Menara Amcorp, Amcorp Trade Centre, No. 18, Jln Persiaran Barat, 46050 Petaling Jaya, Selangor Darul Ehsan, Malaysia
Tel: +60-3-7955-9390, Fax: +60-3-7955-9510

Renesas Electronics India Pvt. Ltd.
No.777C, 100 Feet Road, HAL 2nd Stage, Indiranagar, Bangalore 560 038, India
Tel: +91-80-67208700, Fax: +91-80-67208777

Renesas Electronics Korea Co., Ltd.
17F, KAMCO Yangjae Tower, 262, Gangnam-daero, Gangnam-gu, Seoul, 06265 Korea
Tel: +82-2-558-3737, Fax: +82-2-558-5338