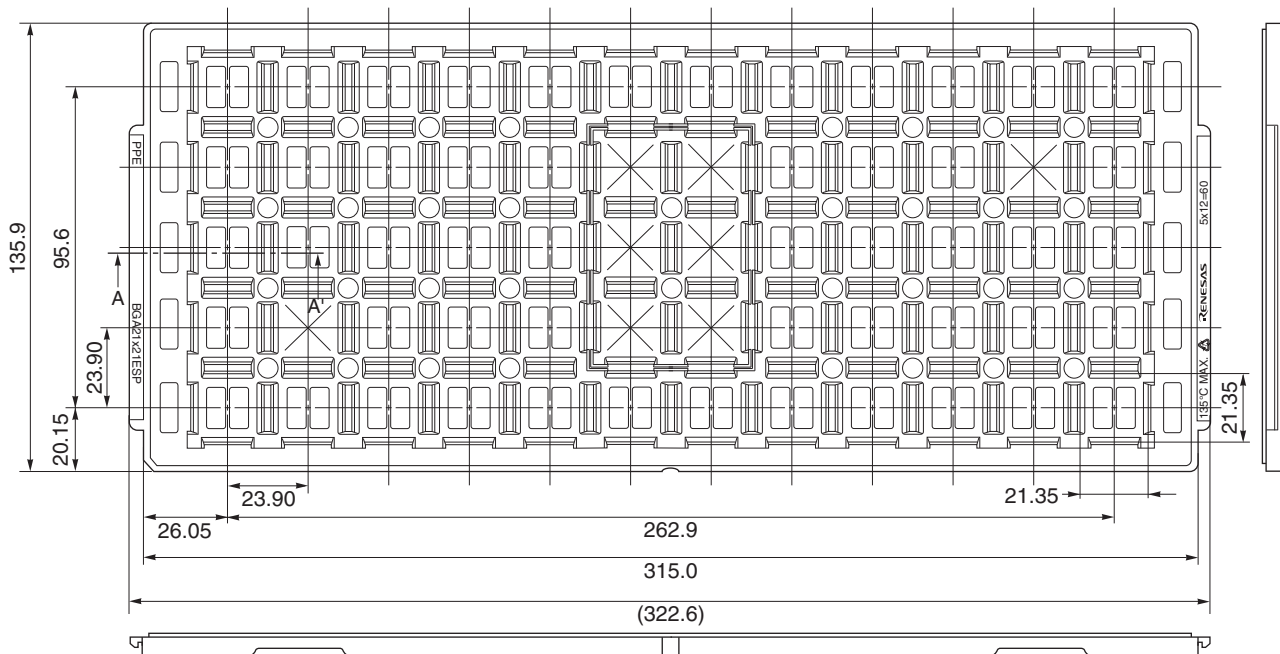
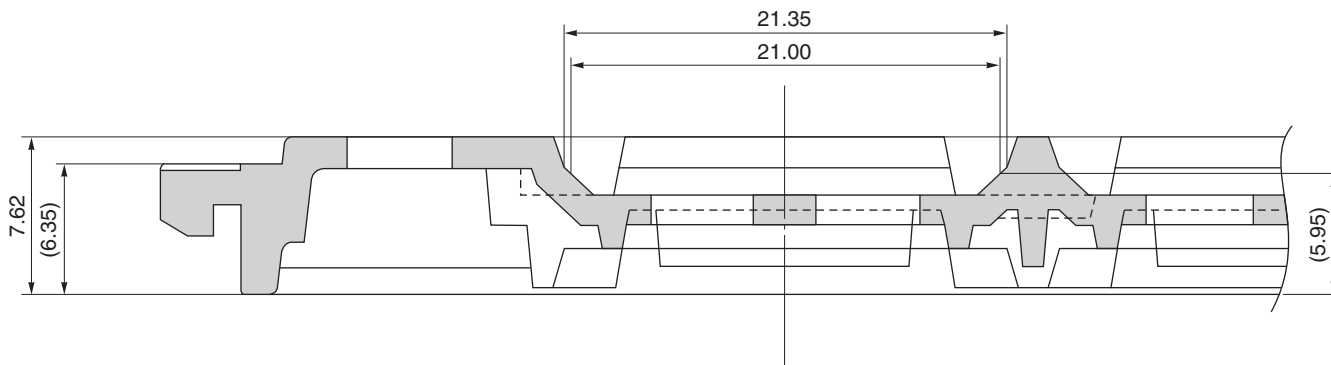


# TRAY CONTAINER

UNIT : mm



## < SECTION A - A >



Applied Package	Quantity (pcs)
256-pin • Plastic BGA (21x21)	60 MAX.
272-pin • Plastic BGA (21x21)	
292-pin • Plastic BGA (21x21)	
320-pin • Plastic BGA (21x21)	
337-pin • Plastic BGA (21x21)	

Tray	BGA21x21 ESP
Material	Carbon PPE
Heat Proof Temp.	135°C MAX.
Surface resistance	Less than $1 \times 10^{12} \Omega / \square$

The tolerance of tray's dimensions are based on JEDEC STANDARD.