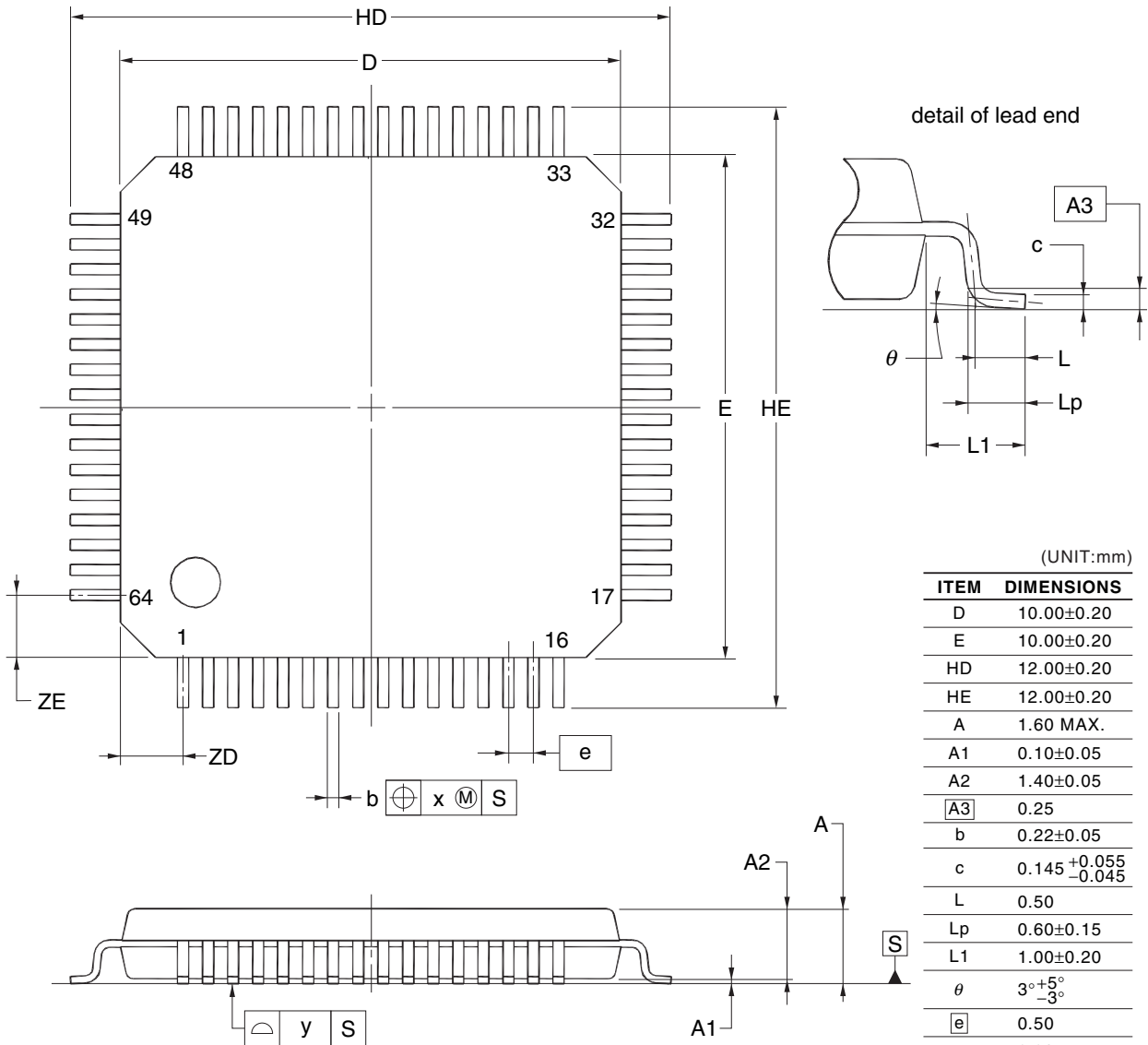


JEITA Package Code	RENESAS Code	Previous Code	MASS (TYP.) [g]
P-LFQFP64-10x10-0.50	PLQP0064KF-A	P64GB-50-UEU-2	0.35

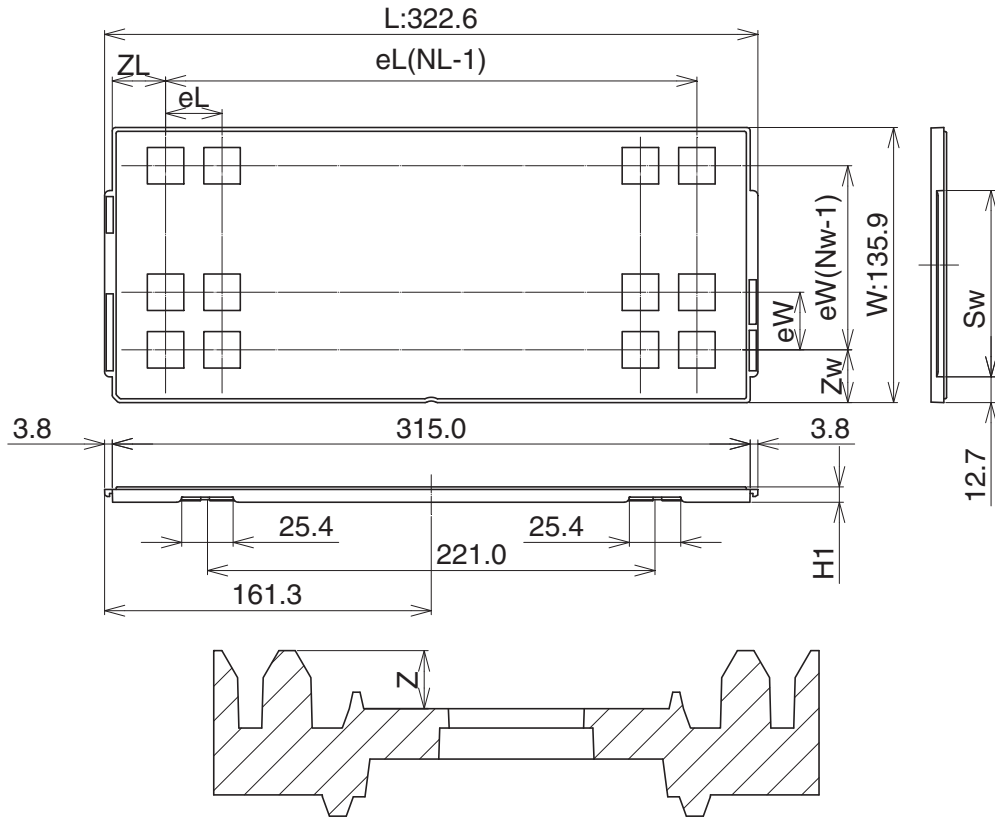


NOTE

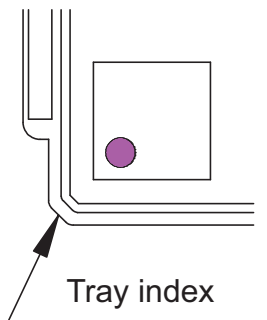
Each lead centerline is located within 0.08 mm of its true position at maximum material condition.

**Packing Specification
Tray Outline Drawing
LQFP10x10x1.4**

Unit: mm



The pin1 is located in the hatching portion.



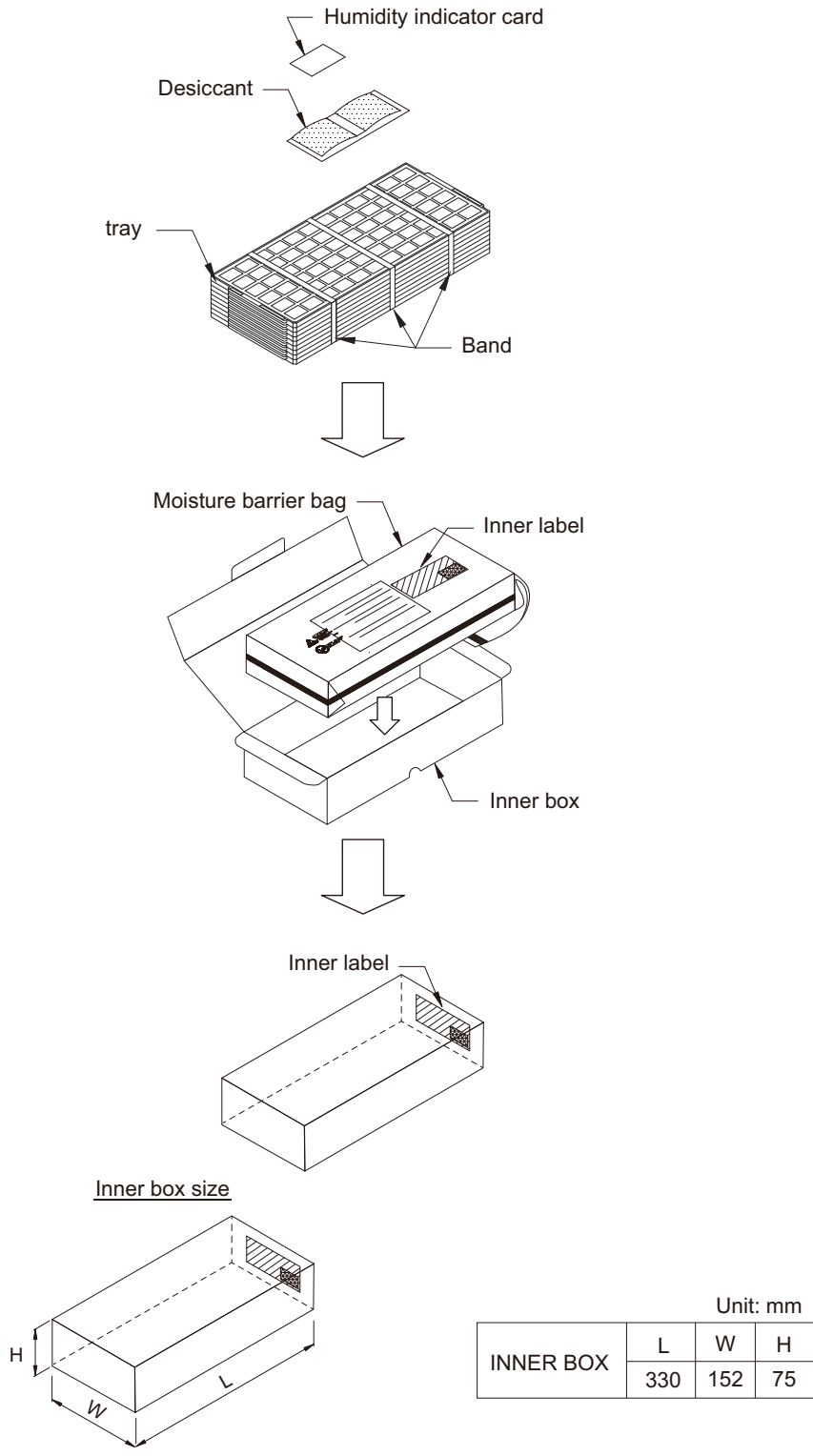
Tray Code		LQFP10x10x1.4
Position dimension of cells	Z	1.5
	Zw	13.0
	ZL	13.1
	eW	15.7
	eL	15.2
	Sw	92.1
Thickness (mm)	H1	7.62
Number of cells	Nw	8
	NL	20
Maximum storage No. IC/Tray		160
Maximum storage No. IC/Inner box		1280
Material		Carbon PPE
Heat resistant temperature		135°C MAX
JEDEC or Custom		JEDEC
Surface resistance		Less than $1 \times 10^{11} \Omega/\square$

RDH-H-000714

Packing Specification

Tray Packing

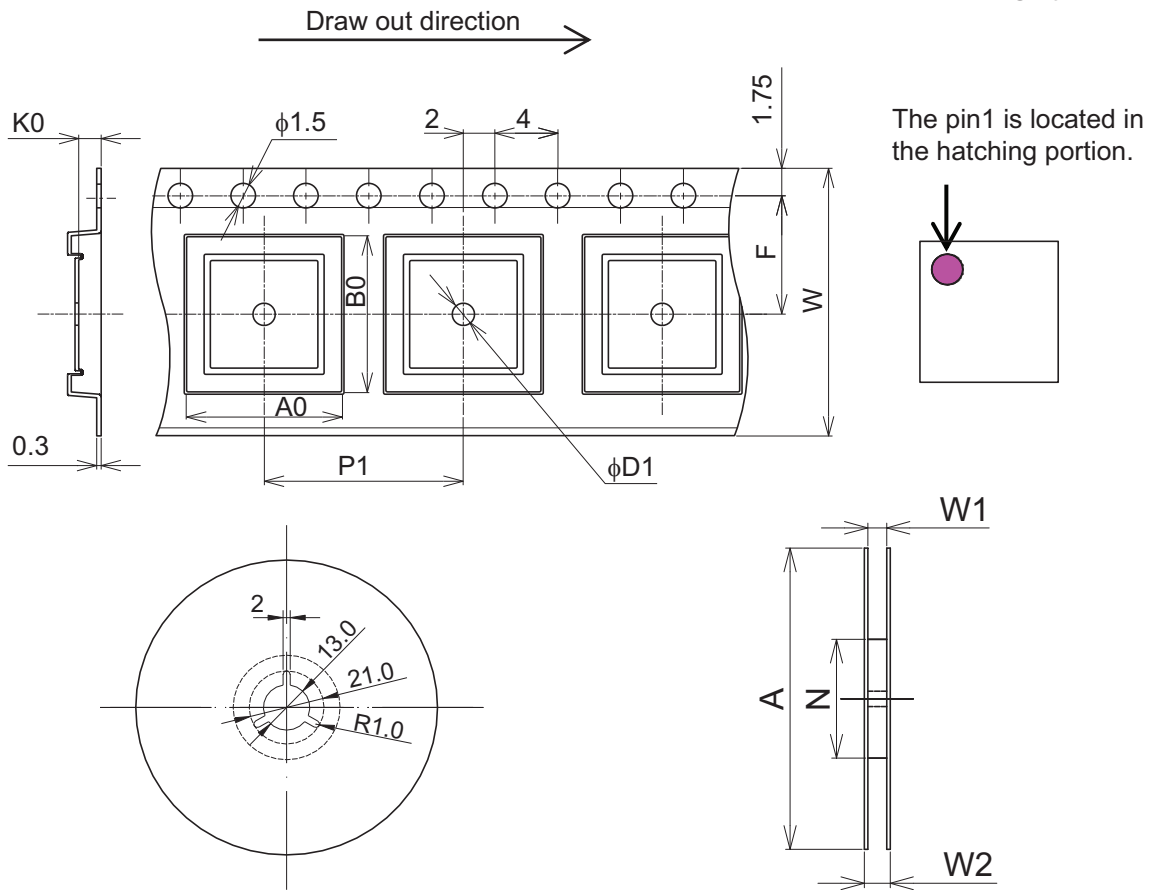
(Tray dry pack)



H-000531

**Packing Specification
Tape & Reel Outline Drawing
E2416Q10RA**

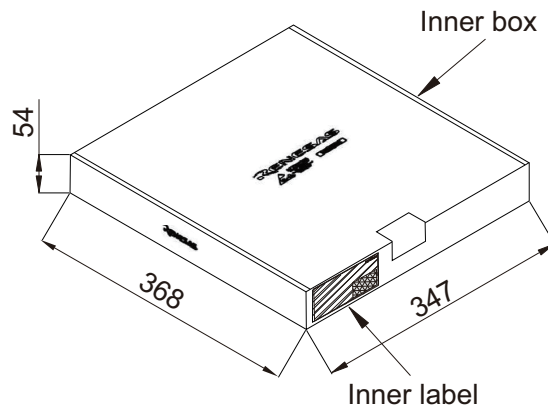
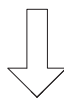
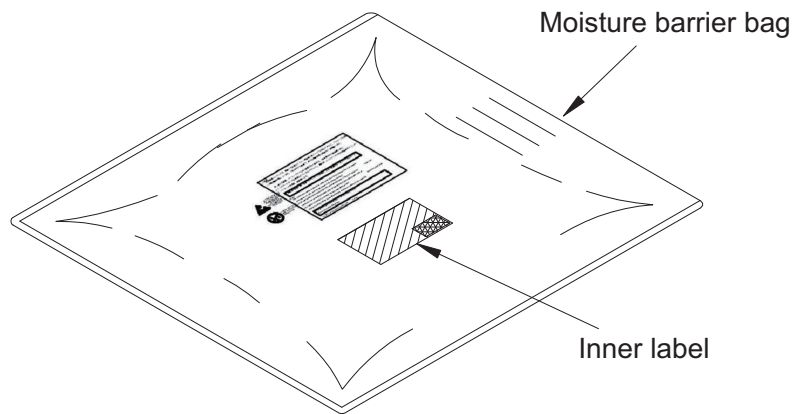
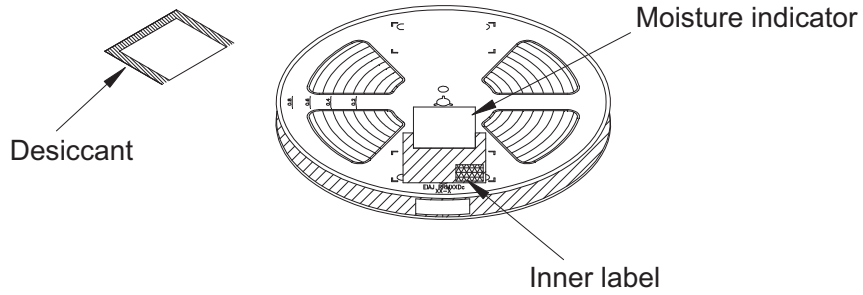
Unit: mm



Tape Code		E2416Q10RA
Tape Dimensions (mm)	W	24.0
	P1	16.0
	A0	12.5
	B0	12.5
	K0	1.4
	F	11.50
	D1	1.5
Reel Dimensions (mm)	A	330
	N	100
	W1	25.4
	W2	29.4
Maximum storage Pcs. IC/ Reel		1000
Material		Carbon PS
Surface resistance		Less than $1 \times 10^{11} \Omega/\square$

H-001794

**Packing Specification
Tape & Reel Packing
(Tape dry pack)**



RDK-H-000152

© 2017 Renesas Electronics Corporation. All rights reserved.