

JEITA Package Code

RENESAS Code

Previous Code

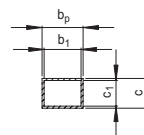
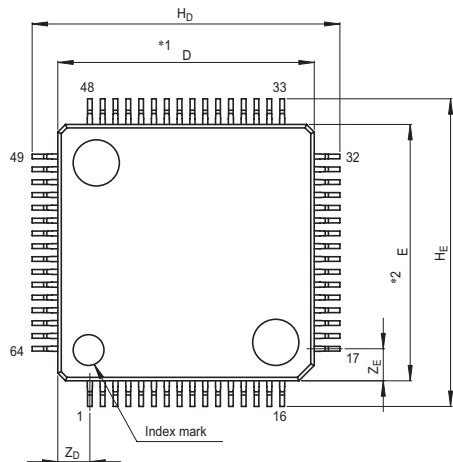
MASS[Typ.]

P-LFQFP64-10x10-0.50

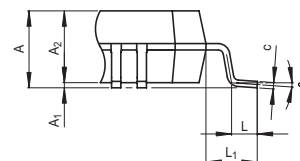
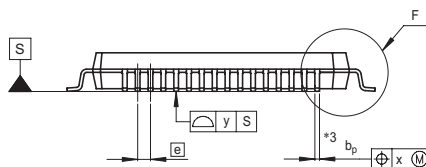
PLQP0064KB-A

64P6Q-A / FP-64K / FP-64KV

0.3g



Terminal cross section



Detail F

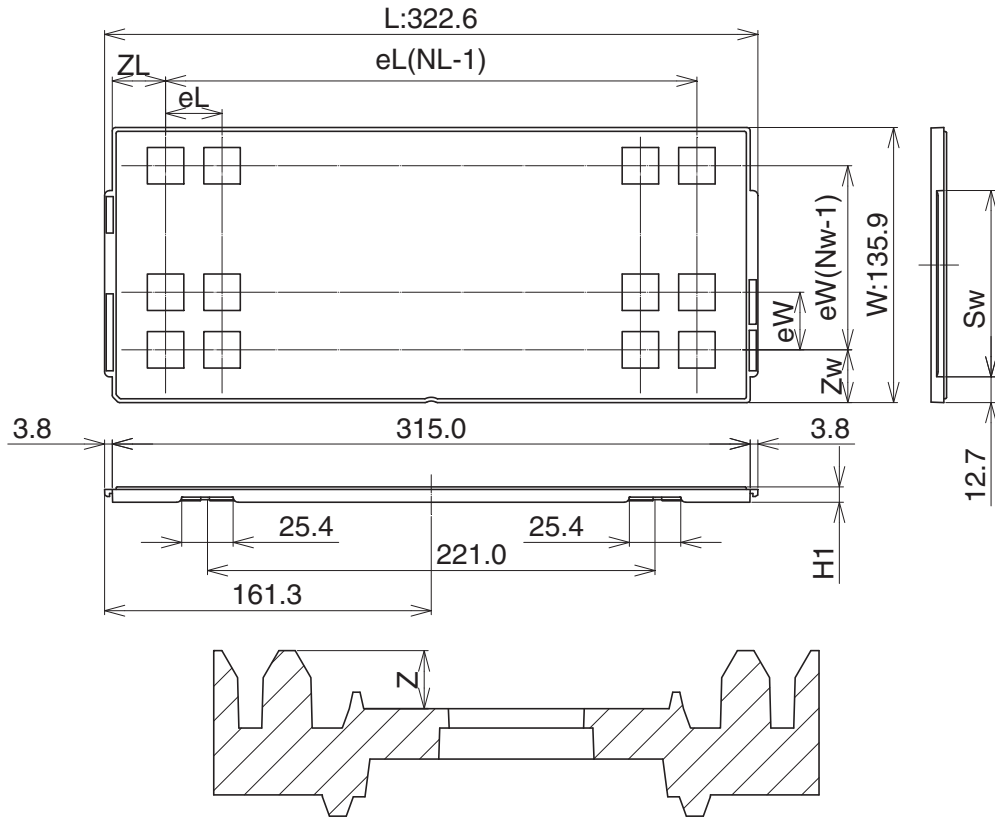
NOTE)

1. DIMENSIONS **1* AND **2* DO NOT INCLUDE MOLD FLASH.
2. DIMENSION **3* DOES NOT INCLUDE TRIM OFFSET.

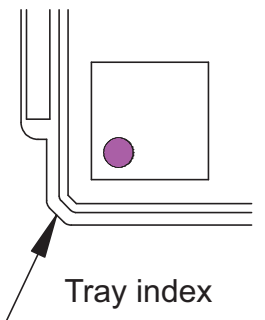
Reference Symbol	Dimension in Millimeters		
	Min	Nom	Max
D	9.9	10.0	10.1
E	9.9	10.0	10.1
A_2	—	1.4	—
H_D	11.8	12.0	12.2
H_E	11.8	12.0	12.2
A	—	—	1.7
A_1	0.05	0.1	0.15
b_p	0.15	0.20	0.25
b_1	—	0.18	—
c	0.09	0.145	0.20
c_1	—	0.125	—
θ	0°	—	8°
Ⓜ	—	0.5	—
x	—	—	0.08
y	—	—	0.08
Z_D	—	1.25	—
Z_E	—	1.25	—
L	0.35	0.5	0.65
L_1	—	1.0	—

**Packing Specification
Tray Outline Drawing
LQFP10x10x1.4**

Unit: mm



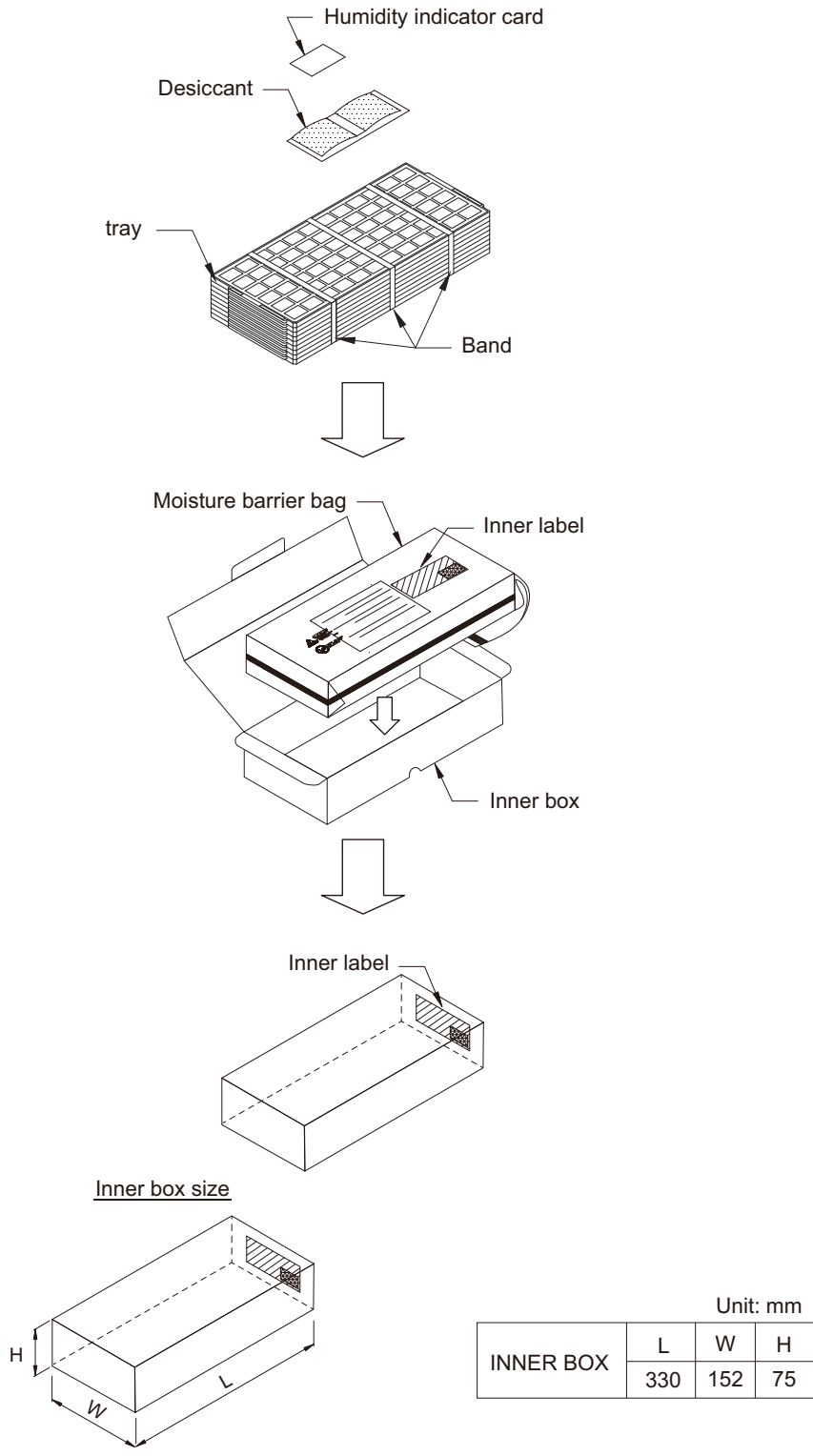
The pin1 is located in the hatching portion.



Tray Code		LQFP10x10x1.4
Position dimension of cells	Z	1.5
	Zw	13.0
	ZL	13.1
	eW	15.7
	eL	15.2
	Sw	92.1
Thickness (mm)	H1	7.62
Number of cells	Nw	8
	NL	20
Maximum storage No. IC/Tray		160
Maximum storage No. IC/Inner box		1280
Material		Carbon PPE
Heat resistant temperature		135°C MAX
JEDEC or Custom		JEDEC
Surface resistance		Less than $1 \times 10^{11} \Omega/\square$

RDH-H-000714

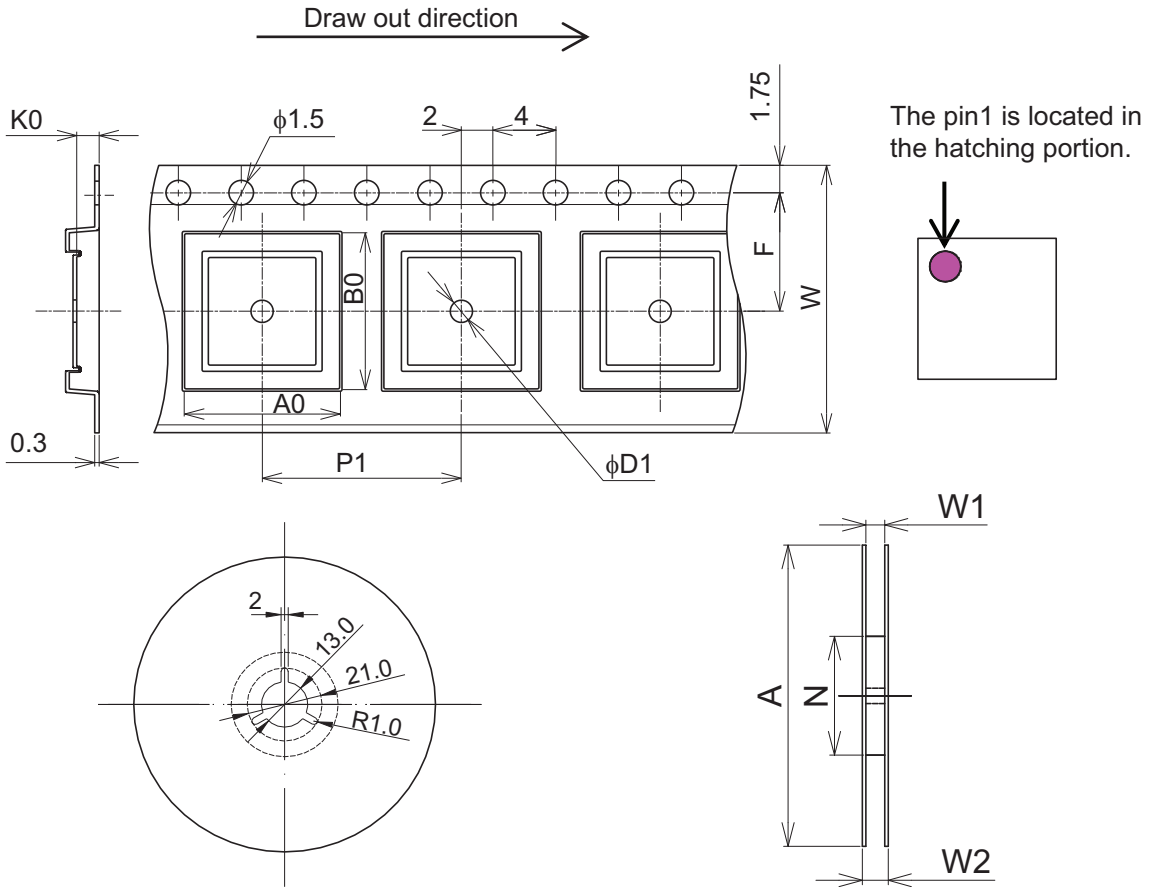
Packing Specification
Tray Packing
(Tray dry pack)



H-000531

**Packing Specification
Tape & Reel Outline Drawing
E2416Q10RA**

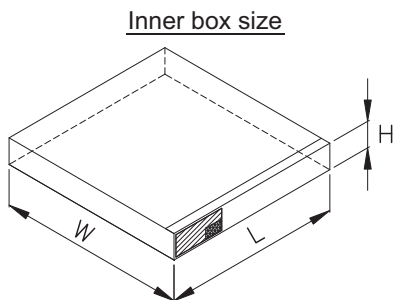
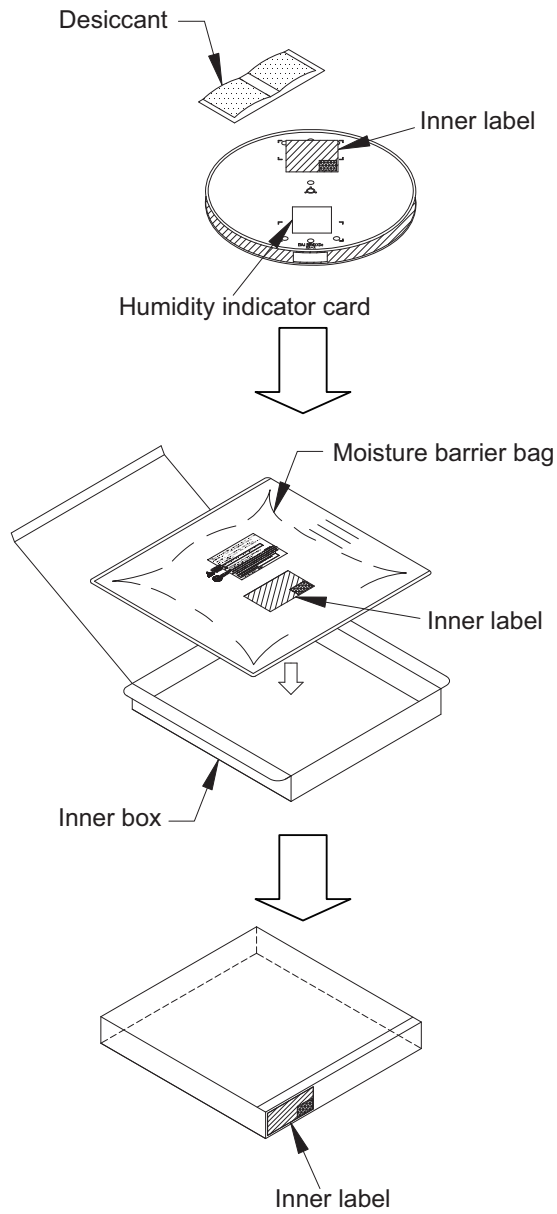
Unit: mm



Tape Code		E2416Q10RA
Tape Dimensions (mm)	W	24.0
	P1	16.0
	A0	12.5
	B0	12.5
	K0	1.4
	F	11.50
	D1	1.5
Reel Dimensions (mm)	A	330
	N	100
	W1	25.4
	W2	29.4
Maximum storage Pcs. IC/ Reel		1500
Material		Carbon PS
Surface resistance		Less than $1 \times 10^{11} \Omega/\square$

H-001567

Packing Specification
Tape & Reel Packing
(Tape dry pack)



Unit: mm

L	W	H
347	368	54

H-000248