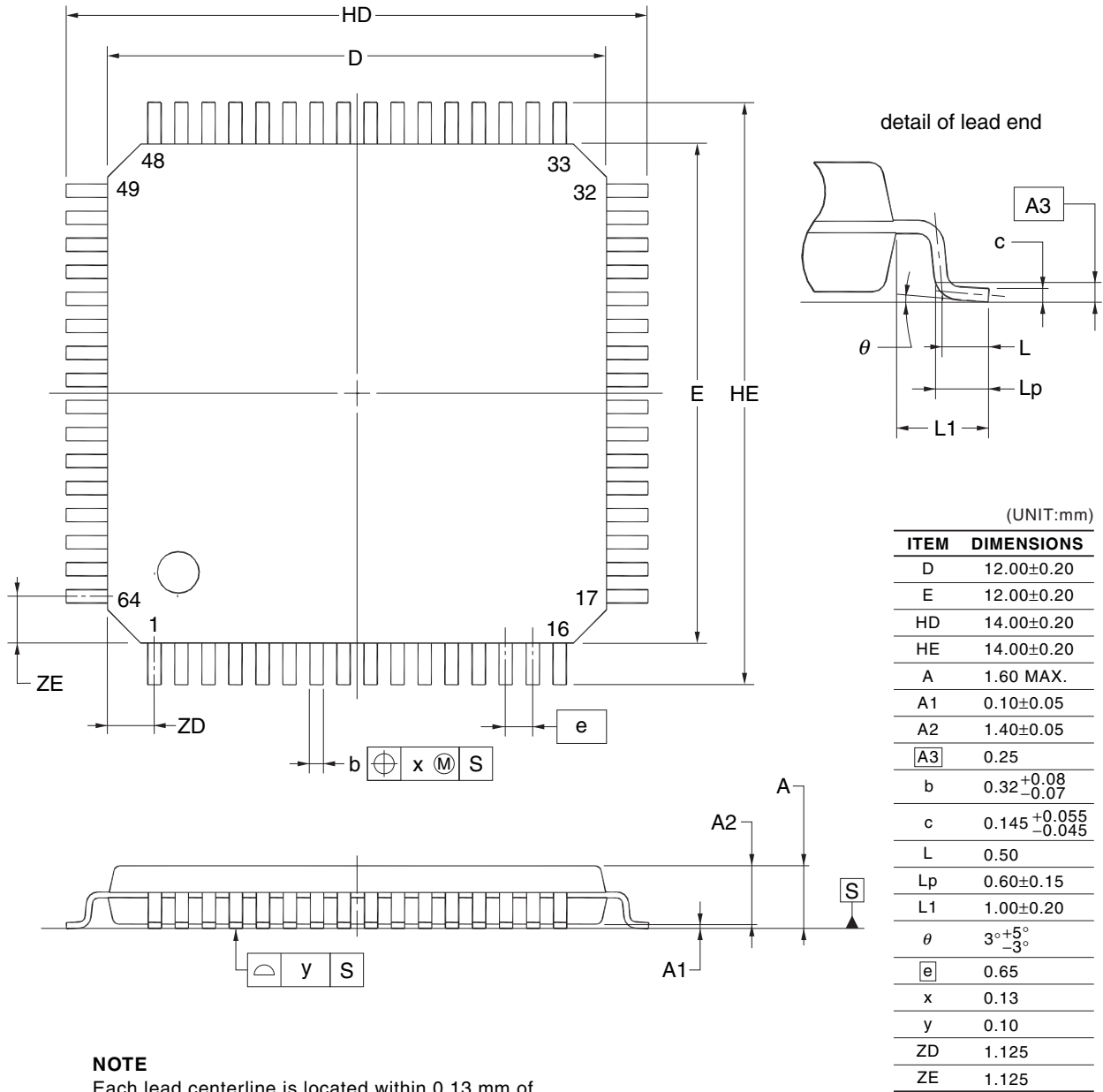
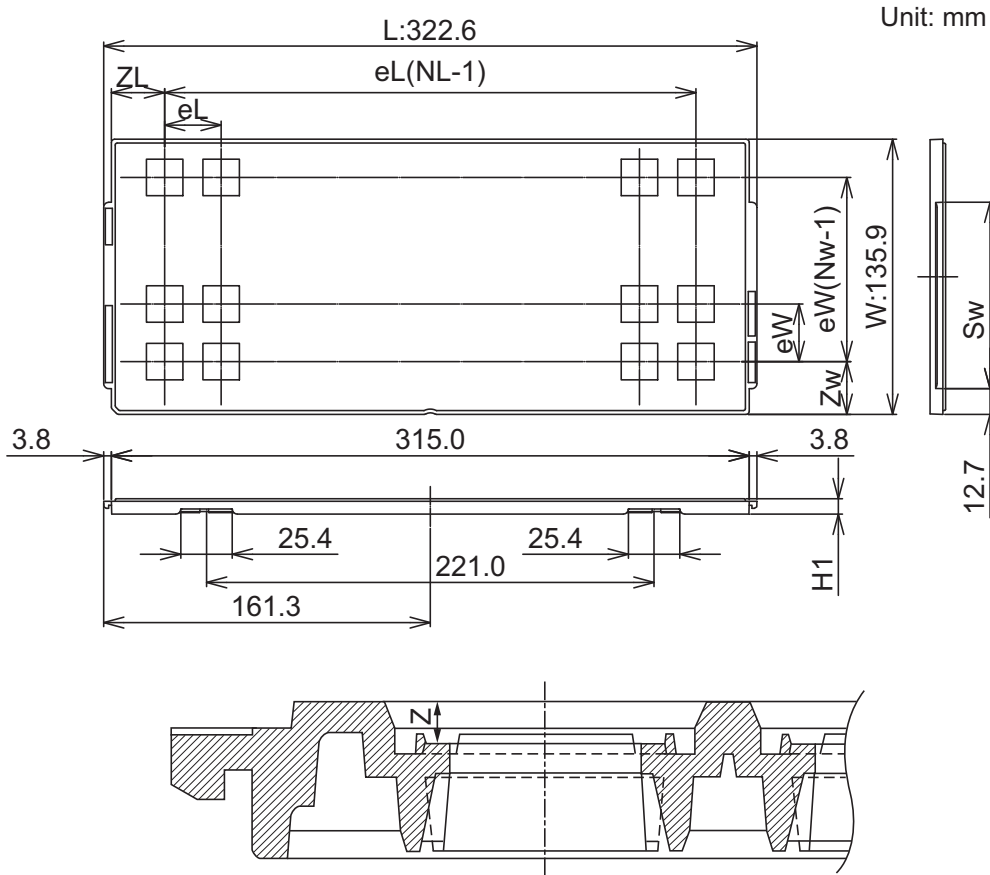


| | | | |
|---------------------|--------------|----------------|-----------------|
| JEITA Package Code | RENESAS Code | Previous Code | MASS (TYP.) [g] |
| P-LQFP64-12x12-0.65 | PLQP0064JA-A | P64GK-65-UET-2 | 0.51 |

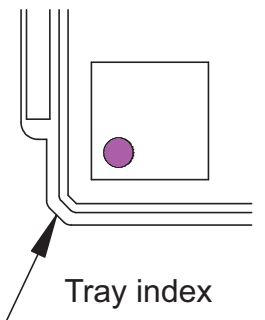


NOTE
Each lead centerline is located within 0.13 mm of its true position at maximum material condition.

Packing Specification
Tray Outline Drawing
LQFP12x12x1.4



The pin1 is located in the hatching portion.



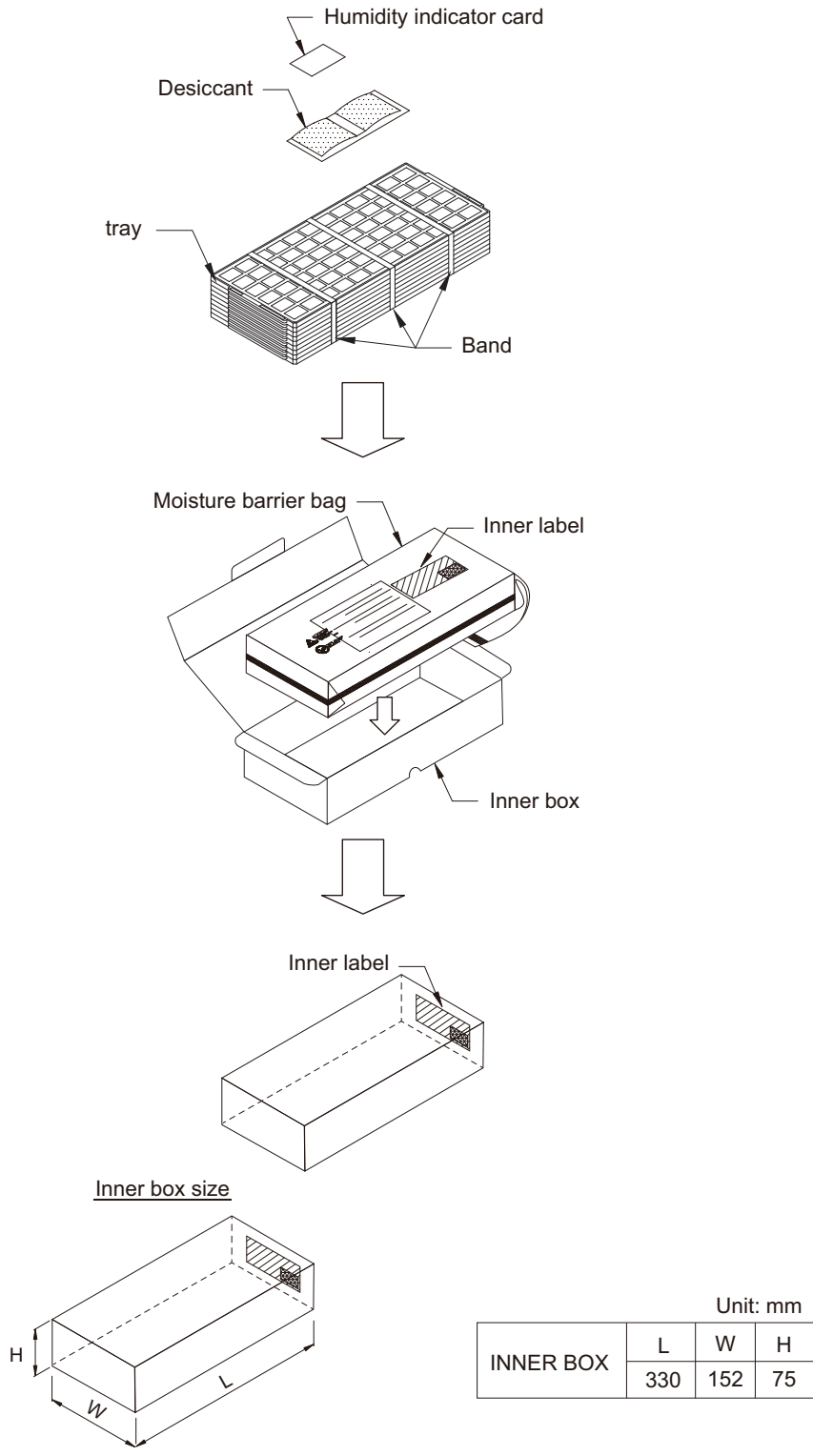
| Tray Code | | LQFP12x12x1.4 |
|----------------------------------|----|---|
| Position dimension of cells | Z | 2.0 |
| | Zw | 13.95 |
| | ZL | 14.3 |
| | eW | 18.0 |
| | eL | 17.9 |
| | Sw | 92.1 |
| Thickness (mm) | H1 | 7.62 |
| Number of cells | Nw | 7 |
| | NL | 17 |
| Maximum storage No. IC/Tray | | 119 |
| Maximum storage No. IC/Inner box | | 952 |
| Material | | Carbon PPE |
| Heat resistant temperature | | 135°C MAX |
| JEDEC or Custom | | JEDEC |
| Surface resistance | | Less than $1 \times 10^{11} \Omega/\square$ |

RDK-H-000716

Packing Specification

Tray Packing

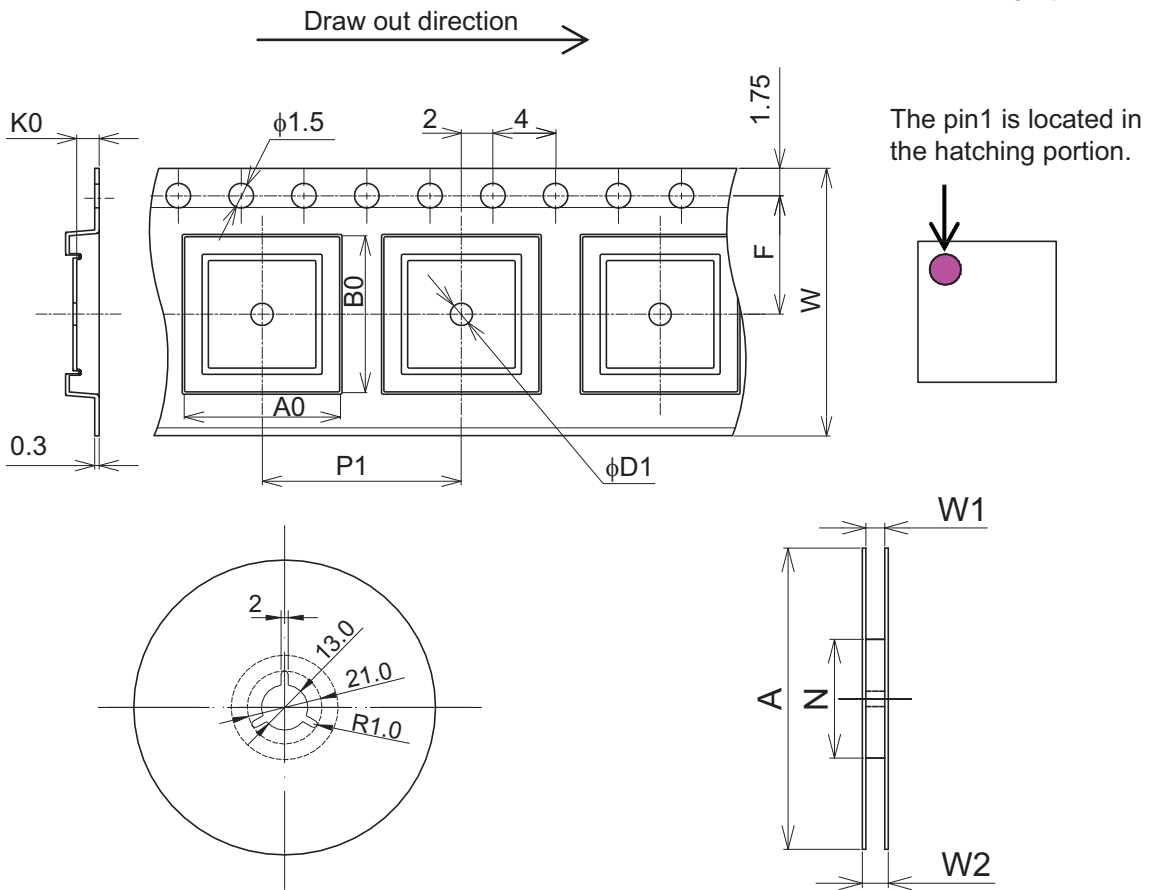
(Tray dry pack)



H-000531

**Packing Specification
Tape & Reel Outline Drawing
E2420Q12RA**

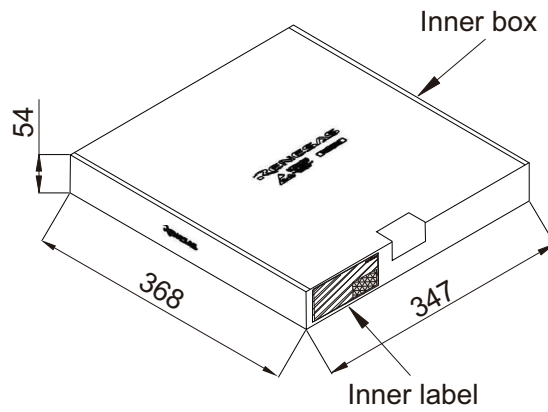
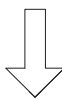
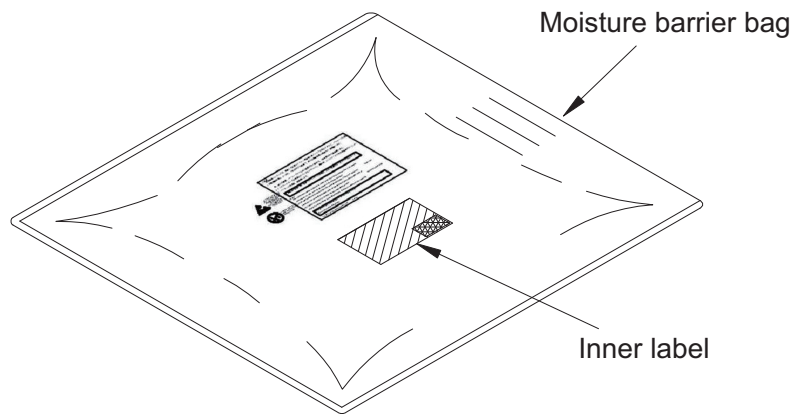
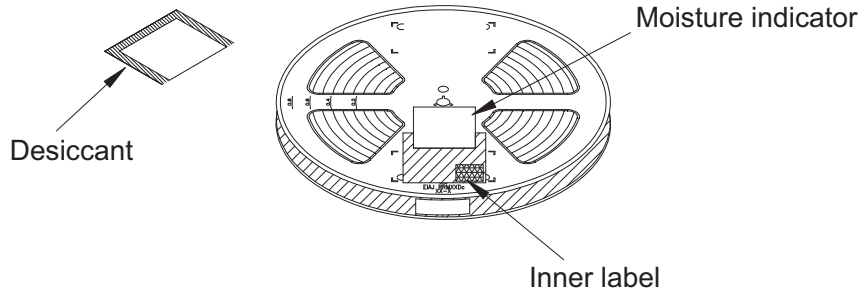
Unit: mm



| Tape Code | | E2420Q12RA |
|-------------------------------|----|---|
| Tape Dimensions (mm) | W | 24.0 |
| | P1 | 20.0 |
| | A0 | 14.5 |
| | B0 | 14.5 |
| | K0 | 1.4 |
| | F | 11.50 |
| | D1 | 1.5 |
| Reel Dimensions (mm) | A | 330 |
| | N | 100 |
| | W1 | 25.4 |
| | W2 | 29.4 |
| Maximum storage Pcs. IC/ Reel | | 1000 |
| Material | | Carbon PS |
| Surface resistance | | Less than $1 \times 10^{11} \Omega/\square$ |

H-001571

**Packing Specification
Tape & Reel Packing
(Tape dry pack)**



RDK-H-000152

© 2017 Renesas Electronics Corporation. All rights reserved.