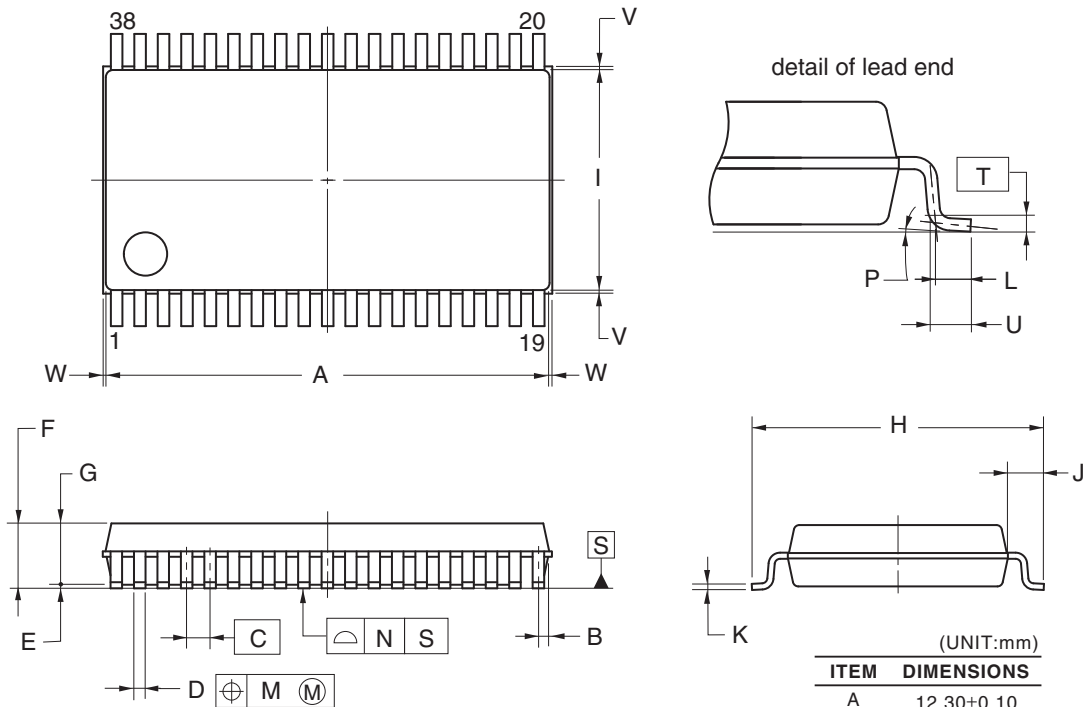


JEITA Package Code	RENESAS Code	Previous Code	MASS (TYP.) [g]
P-SSOP38-6.1x12.3-0.65	PRSP0038JA-B	P38MC-65-GAA-2	0.3



NOTE

Each lead centerline is located within 0.10 mm of its true position (T.P.) at maximum material condition .

(UNIT:mm)

ITEM	DIMENSIONS
A	12.30±0.10
B	0.30
C	0.65 (T.P.)
D	0.30 ^{+0.10} _{-0.05}
E	0.125±0.075
F	2.00 MAX.
G	1.70±0.10
H	8.10±0.20
I	6.10±0.10
J	1.00±0.20
K	0.15 ^{+0.10} _{-0.05}
L	0.50
M	0.10
N	0.10
P	3° ^{+5°} _{-3°}
T	0.25(T.P.)
U	0.60±0.15
V	0.25 MAX.
W	0.15 MAX.