

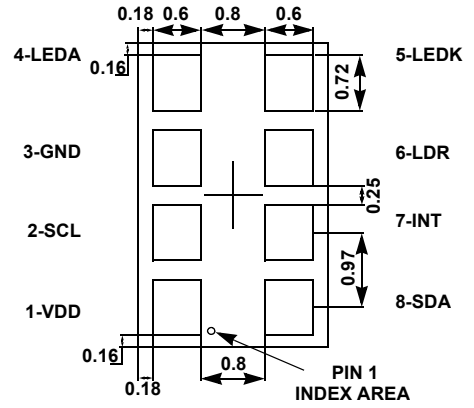
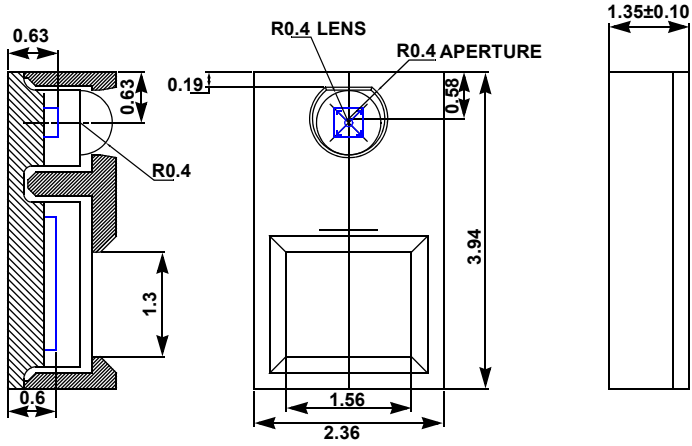
Plastic Packages for Integrated Circuits

Package Outline Drawing

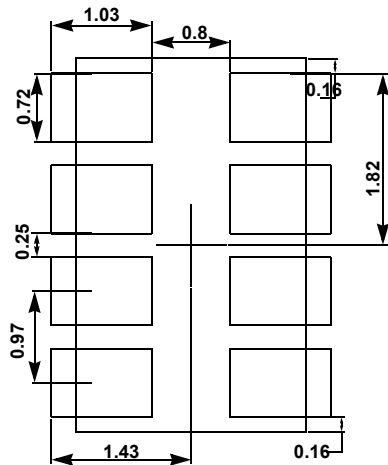
L8.2.36x3.94

8 LEAD OPTICAL CO-PACKAGE

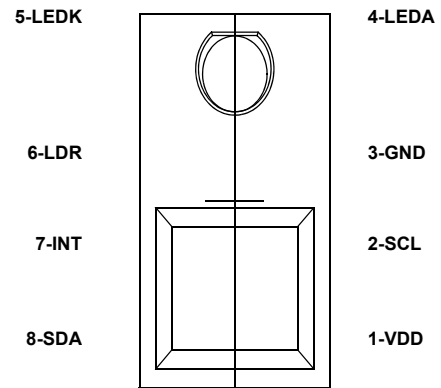
Rev 1, 4/13



BOTTOM VIEW



TYPICAL RECOMMENDED LAND PATTERN



TOP VIEW

NOTES:

1. Dimensions are in millimeters.
Dimensions in () for Reference Only.
2. Dimensioning and tolerancing conform to ASME Y14.5m-1994.
3. Unless otherwise specified, tolerance: Decimal ± 0.05
4. Pin #1 identifier is a laser-etched dot on bottom surface.