

Previous version information

Flash Development Toolkit Ver.2 (HS6400FDIW2SR)

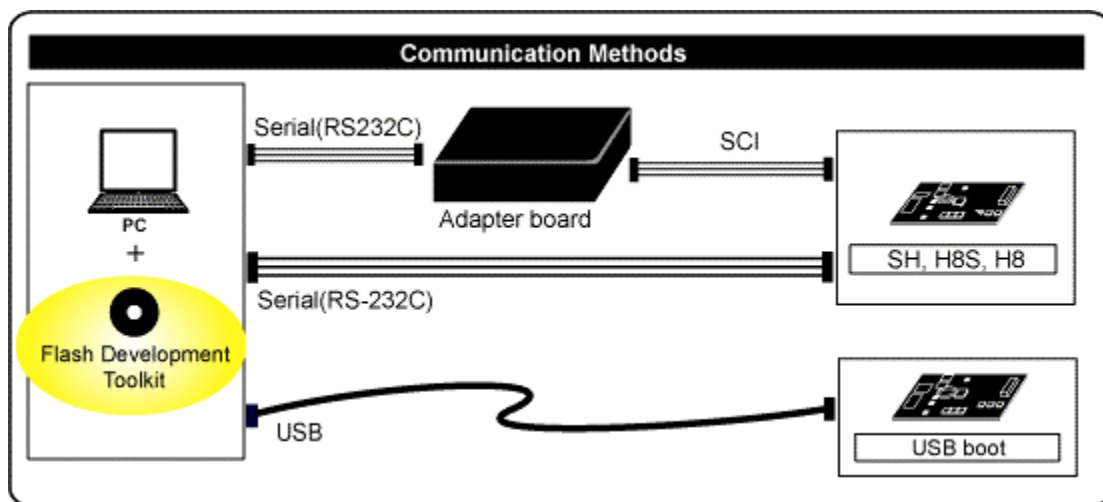
Note that Ver.2 has been discontinued at the inception of a new product release, Flash Development Toolkit Ver.3. The Latest revision of Ver.2 is Ver.2.2.005, and this is the final version to add available devices.

Target Devices

- SuperH RISC engine family
- H8SX family
- H8S family
- H8 family

See the details of target devices for Flash Development Toolkit Ver.2.

System Configuration



Operating Environments

Supported OS

Windows®98SE, Windows®ME, Windows®2000, Windows®XP

Operating mode

Boot mode, User programming mode, User boot mode

Communication

RS-232C

Details of Target Devices (Flash Development Toolkit Ver.2)

Click the following Family or Series name to access.

SH Family | H8SX Family | H8S/2600 Series | H8S/2500 Series | H8S/2400 Series | H8S/2300 Series | H8S/2200 Series | H8S/2100 Series | H8/300H Series | H8/300H Tiny Series | H8/300L SLP Series

Family/Series	Supported MCU	Available from	Notes
SH Family	SH7058F	Ver.2.2.003	-
	SH7065F	Ver.2.0	
	SH7055F		
	SH7054F		
	SH7053F		
	SH7052F		
	SH7145F	Ver.2.2	
	SH7144F	Ver.2.2	
	SH7047F	Ver.2.1	
	SH7046F	Ver.2.1	
	SH7018F	Ver.2.0	
H8SX Family	H8SX/1657F	Ver.2.2.005	-
H8S/2600 Series	H8S/2676F	Ver.2.0	-
	H8S/2667F	Ver.2.0.001	
	H8S/2648F	Ver.2.0.001	
	H8S/2646F	Ver.2.0	
	H8S/2643F		
	H8S/2639F	Ver.2.2	
	H8S/2638F	Ver.2.1	
	H8S/2636F	Ver.2.0	
	H8S/2633F		
	H8S/2633RF	Ver.2.2.001	
	H8S/2630F	Ver.2.2.005	
	H8S/2628F	Ver.2.2.003	
	H8S/2626F	Ver.2.0	
	H8S/2623F		
	H8S/2615F	Ver.2.2.004	
	H8S/2612F	Ver.2.0.001	
H8S/2500 Series	H8S/2556F	Ver.2.2.004	-
	H8S/2552F	Ver.2.2.004	
	H8S/2506F	Ver.2.2.004	
H8S/2400 Series	H8S/2437F	Ver.2.2.004	-

Family/Series	Supported MCU	Available from	Notes	
H8S/2300 Series	H8S/2398F	Ver.2.1	-	
	H8S/2378F	Ver.2.2.004		
	H8S/2377F	Ver.2.1		
	H8S/2376F	Ver.2.2.004		
	H8S/2367F	Ver.2.2		
	H8S/2366F	Ver.2.2.004		
	H8S/2339EF	Ver.2.0.001		
	H8S/2339F	Ver.2.0.001		
	H8S/2338F	Ver.2.0		
	H8S/2329BF	Ver.2.0.001		
	H8S/2329EF	Ver.2.0.001		
	H8S/2329F	Ver.2.0.001		
	H8S/2328F	Ver.2.0		
	H8S/2326F	Ver.2.2.001		
	H8S/2319EF	Ver.2.1		
	H8S/2319CF	Ver.2.2.005		
	H8S/2319F	Ver.2.1		
	H8S/2318F	Ver.2.0		
	H8S/2317F	Ver.2.2.003		
	H8S/2315F	Ver.2.0.001		
H8S/2314F	Ver.2.0.001			
H8S/2200 Series	H8S/2282F	Ver.2.1	-	
	H8S/2277F	Ver.2.2.003		
	H8S/2277RF	Ver.2.2.003		
	H8S/2268F	Ver.2.0.001		
	H8S/2266F	Ver.2.2.001		
	H8S/2265F	Ver.2.2.001		
	H8S/2258F	Ver.2.0		
	H8S/2239F	Ver.2.2		
	H8S/2238RF	Ver.2.1		
	H8S/2238F	Ver.2.0		
	H8S/2227F	Ver.2.1		
	H8S/2218F	Ver.2.2.003		
	H8S/2218UF	-		*
	H8S/2215F	Ver.2.0.001		-
	H8S/2215UF	Ver.2.2		
	H8S/2214F	Ver.2.0		
	H8S/2212F	Ver.2.2.003		
H8S/2212UF	-	*		

Family/Series	Supported MCU	Available from	Notes
H8S/2100 Series	H8S/2199F	Ver.2.0	-
	H8S/2169YF		
	H8S/2172F	Ver.2.2.005	
	H8S/2168F	Ver.2.2.003	
	H8S/2167F	Ver.2.2.005	
	H8S/2166F	Ver.2.2.005	
	H8S/2161BF	Ver.2.2	
	H8S/2160BF	Ver.2.2	
	H8S/2158F	Ver.2.2.001	
	H8S/2149YF	Ver.2.0	
	H8S/2148AF		
	H8S/2148BF	Ver.2.2	
	H8S/2147AF	Ver.2.0	
	H8S/2145BF	Ver.2.2.001	
	H8S/2144AF	Ver.2.0	
	H8S/2141BF	Ver.2.2	
	H8S/2140BF	Ver.2.2	
	H8S/2138AF	Ver.2.0	
	H8S/2134AF		
	H8S/2110BF	Ver.2.2.003	
H8/300H Series	H8/3069F	Ver.2.1	-
	H8/3068F	Ver.2.0.001	
	H8/3064BF	Ver.2.0.001	
	H8/3064F	Ver.2.0	
	H8/3062AF		
	H8/3062BF	Ver.2.0.001	
	H8/3052BF	Ver.2.0.001	
	H8/3052F	Ver.2.0	
	H8/3048BF (H8/3048F-ONE)	Ver.2.0.001	
	H8/3028F	Ver.2.2.003	
	H8/3026F	Ver.2.2	
	H8/3024F	Ver.2.2	
	H8/3022F	Ver.2.0	

Family/Series	Supported MCU	Available from	Notes
H8/300H Tiny Series	H8/3694F	Ver.2.1	-
	H8/3687F	Ver.2.1	
	H8/3684F	Ver.2.2.001	
	H8/3672F	Ver.2.0.001	
	H8/3670F	Ver.2.0.001	
	H8/3664F	Ver.2.0	
	H8/36912F	Ver.2.2.005	
	H8/36902F	Ver.2.2.005	
	H8/36057F	Ver.2.2.005	
	H8/36054F	Ver.2.2.005	
	H8/36049F	Ver.2.2.004	
	H8/36037F	Ver.2.2.005	
	H8/36034F	Ver.2.2.005	
	H8/36024F	Ver.2.2.003	
	H8/36014F	Ver.2.2.003	
	H8/36012F	Ver.2.2.003	
H8/300L SLP Series	H8/38124F	Ver.2.2.005	-
	H8/38104F	Ver.2.2.005	
	H8/38024F	Ver.2.1	
	H8/38004F	Ver.2.2.003	

*: Flash Development Toolkit Ver2.x does not support this device. You are required to purchase Flash Development Toolkit Ver.3.1 or above.