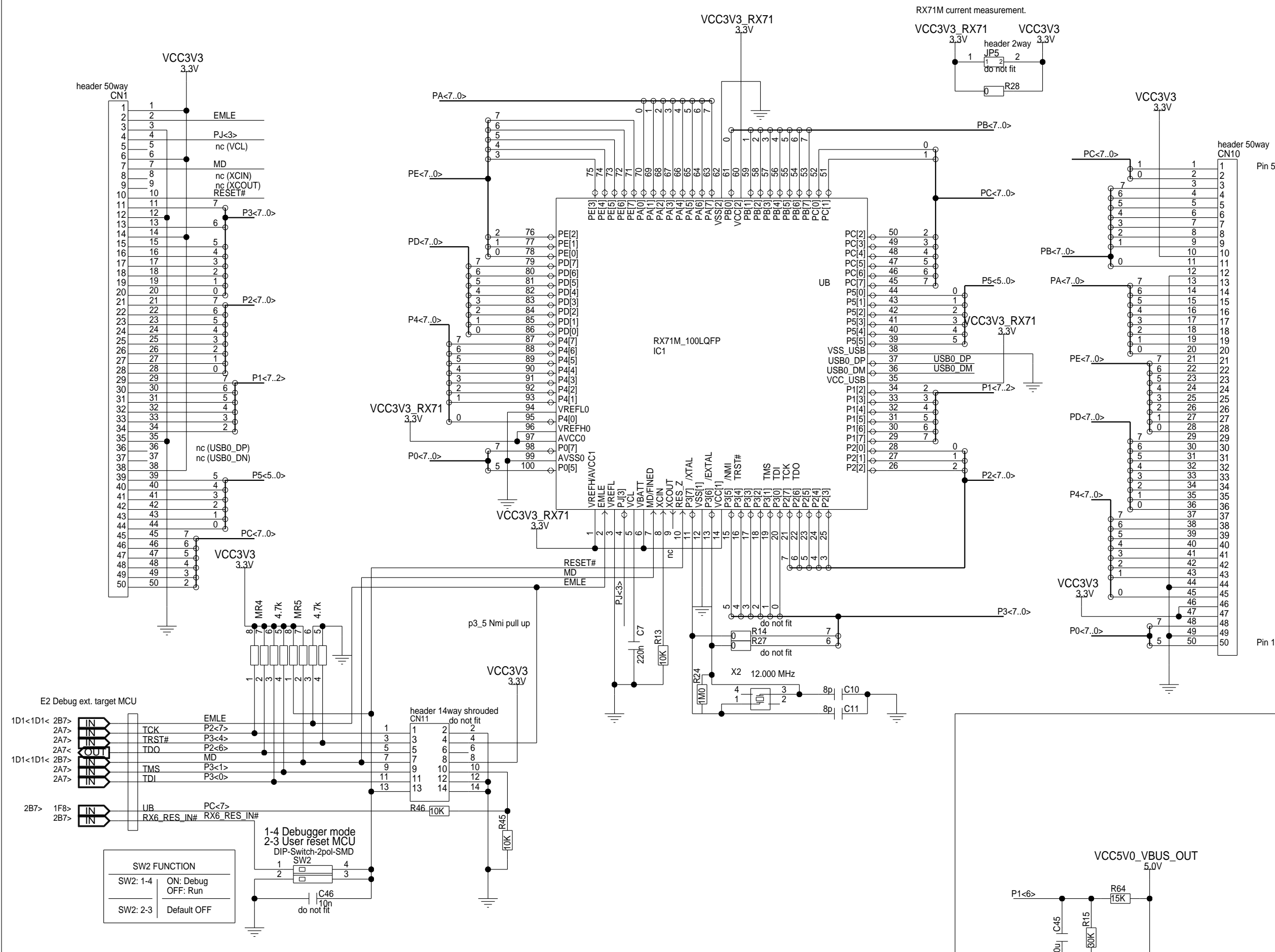
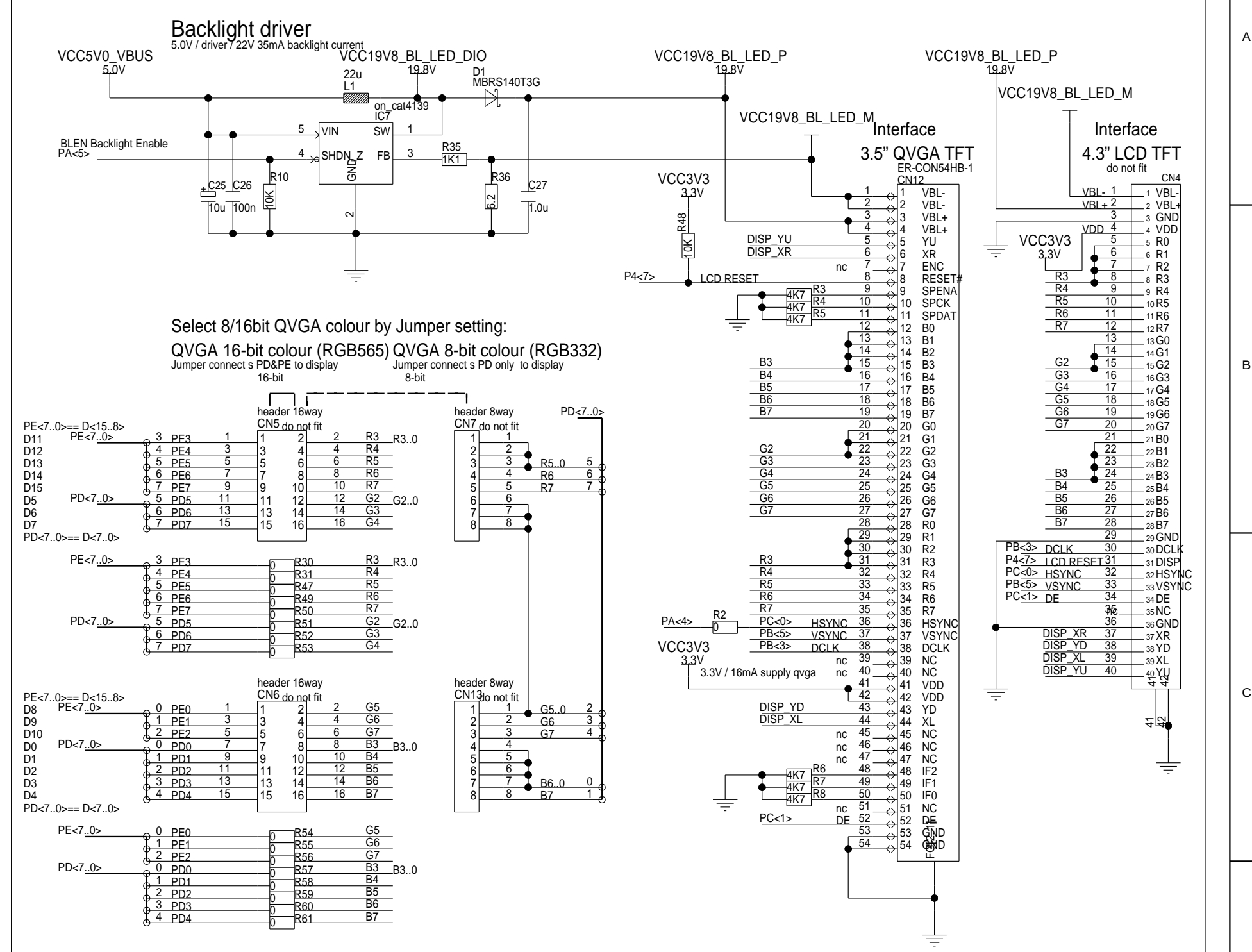


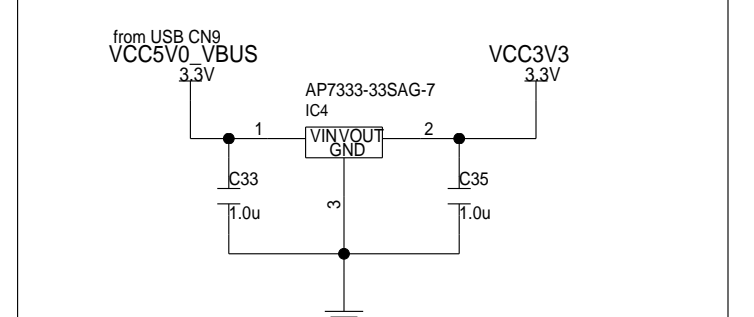
Renesas RX71M



QVGA display



Power Linear Regulator



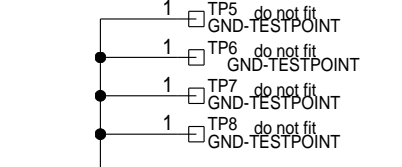
RENESAS Electronics Europe GmbH

Title: **RX71M Revelation Kit**

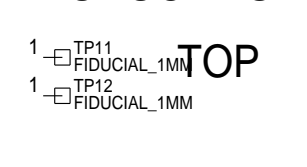
Size: A2
Document Number: **ESSS-0400-115-02**

Date: Mon May 30 07:12:29 2016 PAGE 1 OF 2

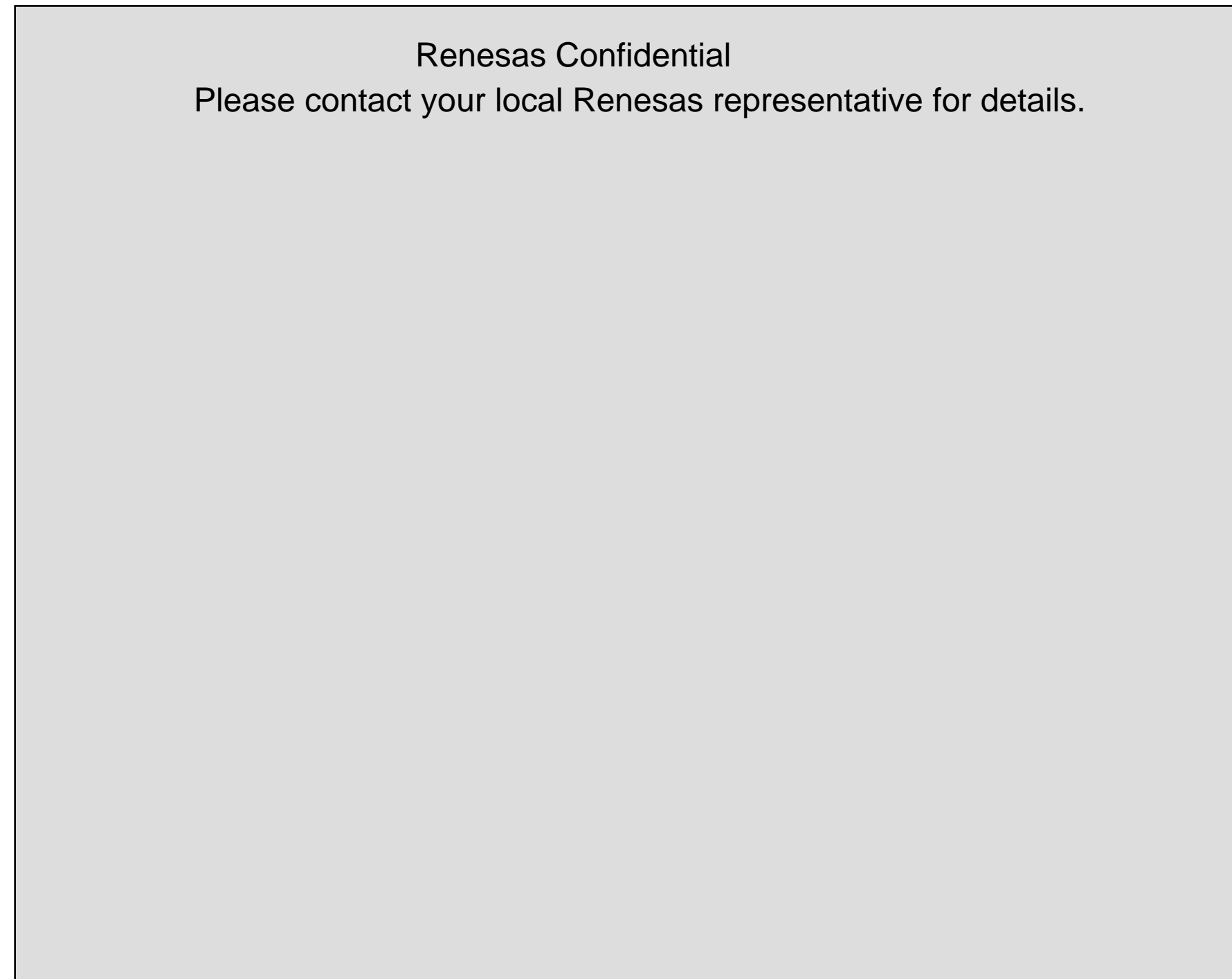
GND TEST POINT



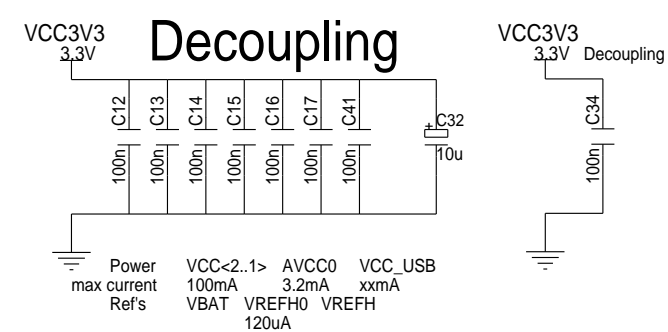
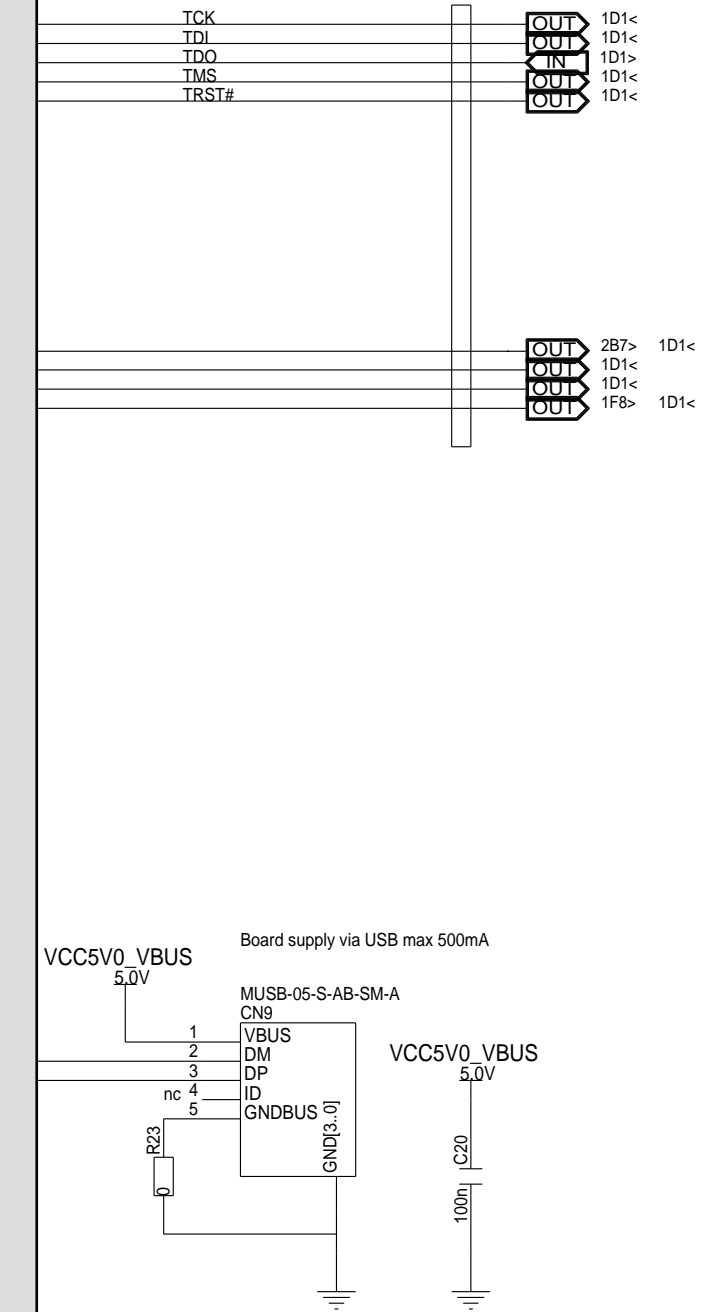
FUDUCIALS



E2 Lite OB Debugger Circuit



Debug i/f for RX71M



Note: Ports 07, 11 to 17, 20, 21, 30 to 33, 67, and C0 to C3 are 5 V tolerant.