

# RX231 Hear-It Solution Kit Schematics

Page	Description
1	Index
2	RX231 MCU
3	Audio Codec
4	USB Host
5	PMOD, Power Supply and Power LED
6	Application Headers

#### Mechanical Parts

Rubber Foot d=11.1mm/h=5mm black

MP1



Rubber Foot d=11.1mm/h=5mm black

MP2



Rubber Foot d=11.1mm/h=5mm black

MP3



Rubber Foot d=11.1mm/h=5mm black

MP4



1 TP6  
Fiducial\_1mm

1 TP7  
Fiducial\_1mm

1 TP8  
Fiducial\_1mm

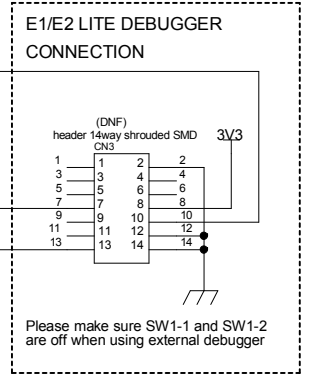
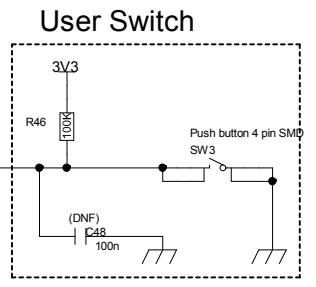
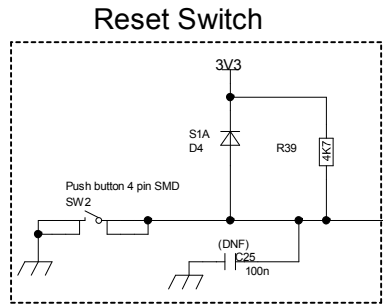
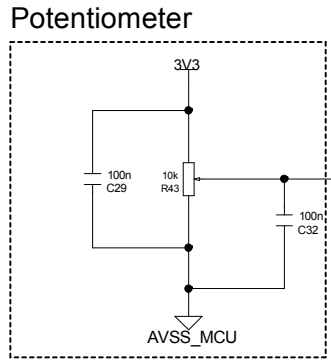
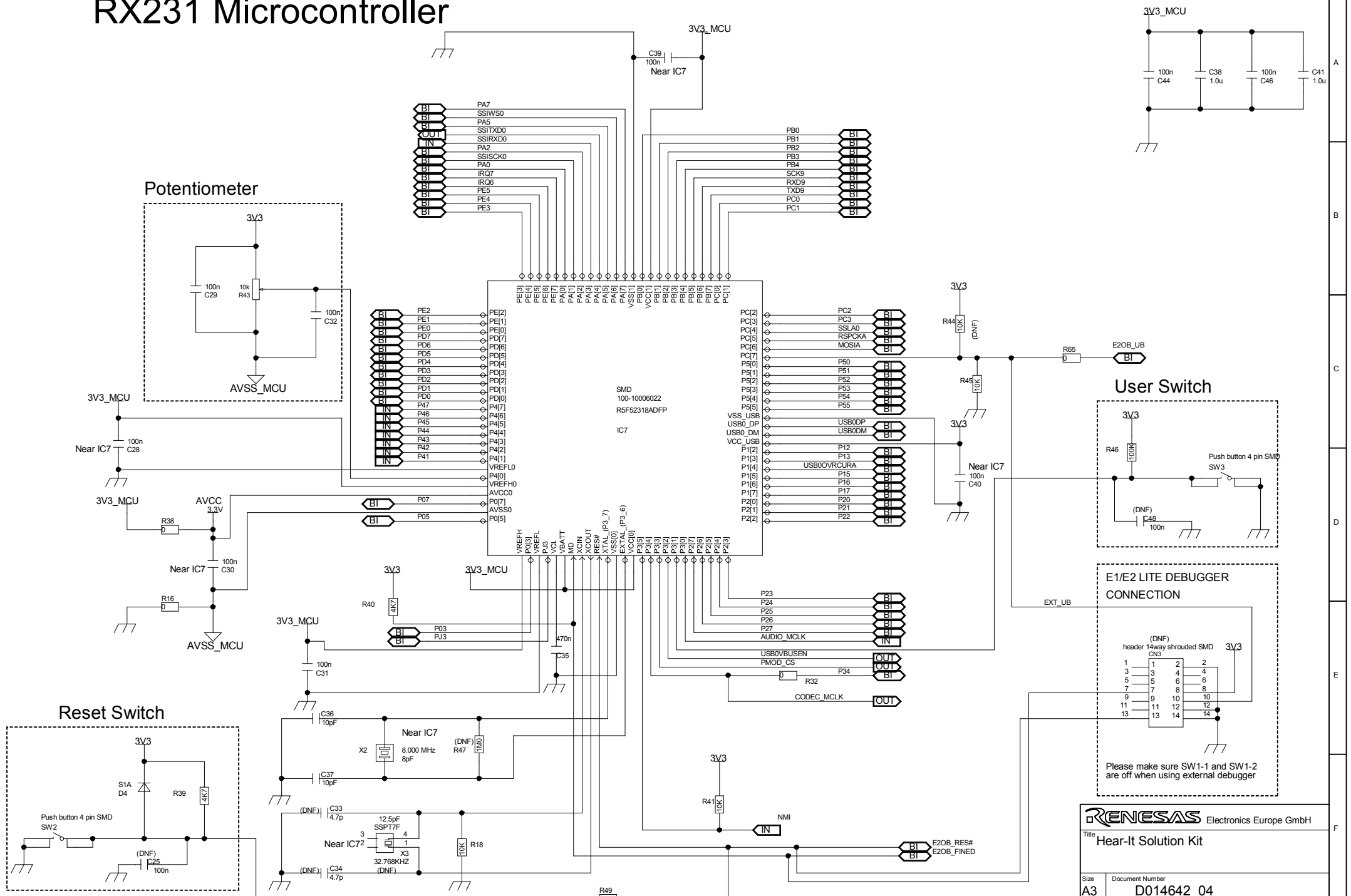
**RENESAS** Electronics Europe GmbH

Title  
Hear-It Solution Kit

Size Document Number  
A3 D014642\_04

Date: Tue Jul 26 09:44:04 2016 PAGE 1 OF 7 1.00

# RX231 Microcontroller



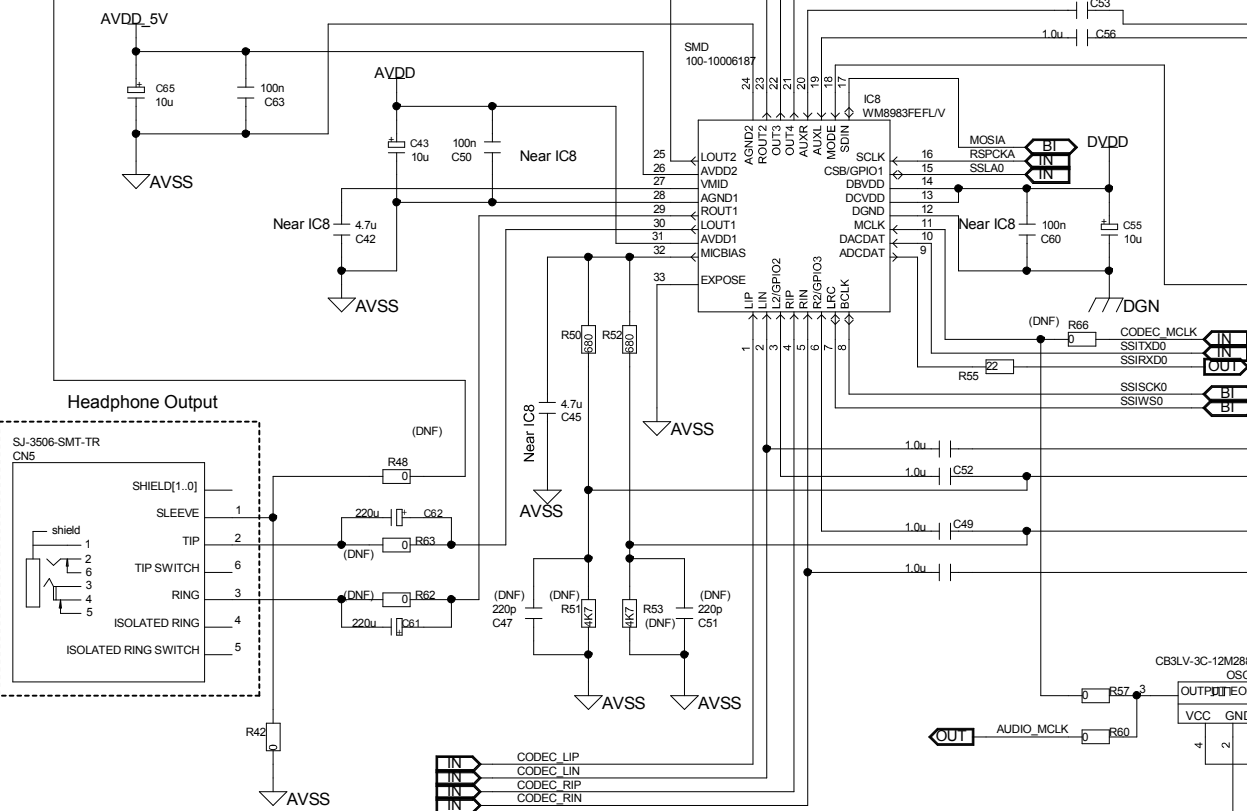
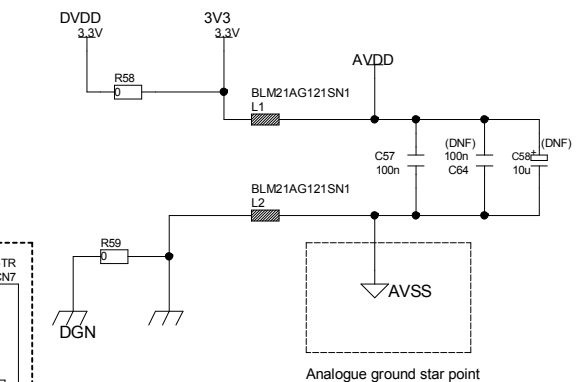
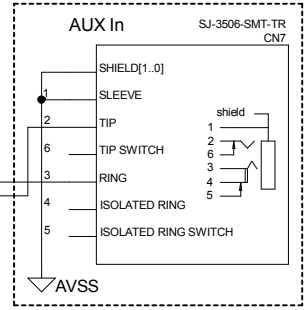
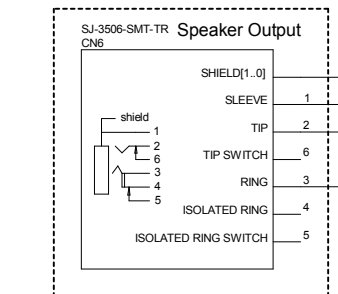
**RENESAS** Electronics Europe GmbH

Title: **Hear-It Solution Kit**

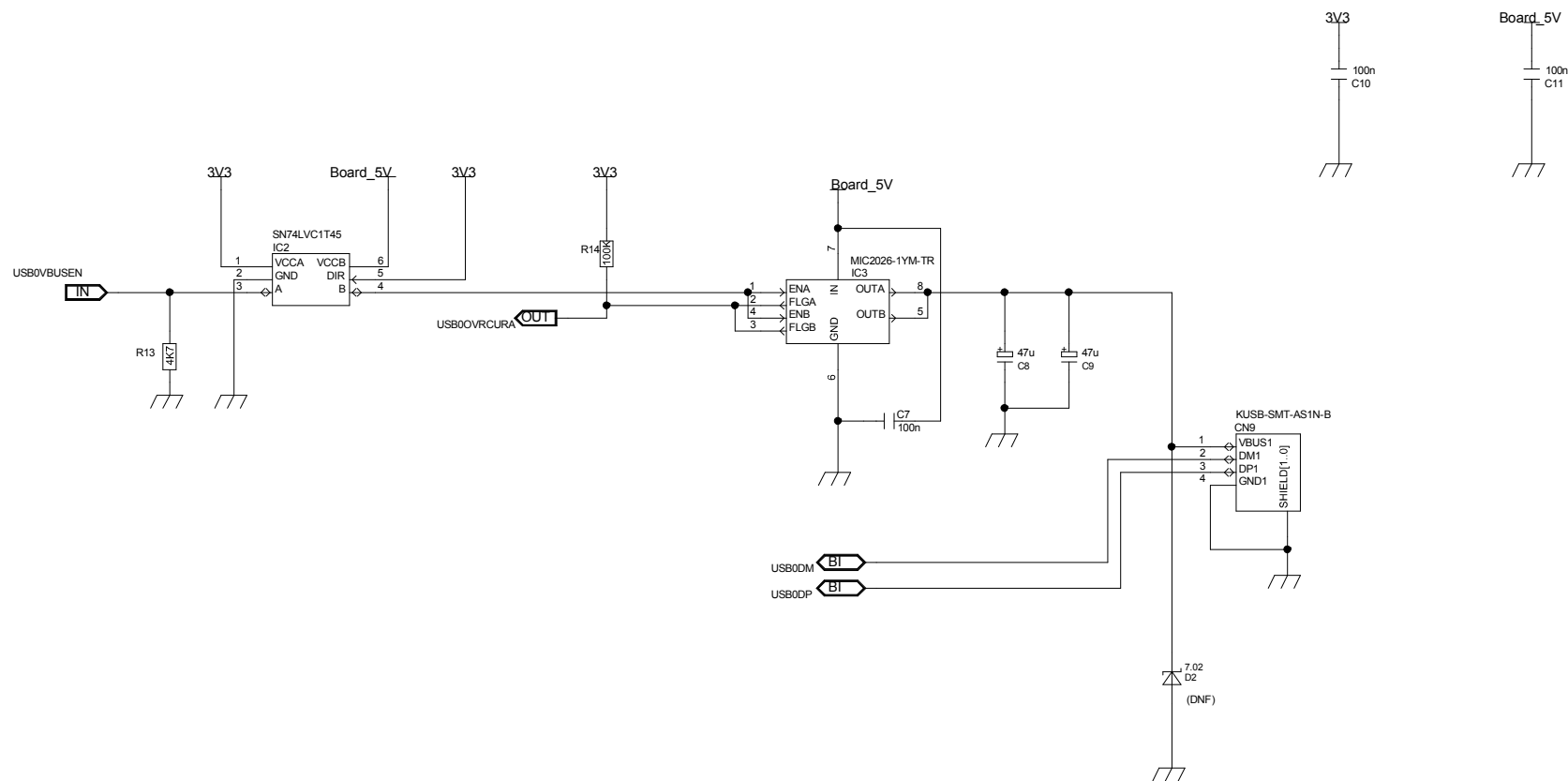
Size: **A3** Document Number: **D014642\_04**

Date: **Wed Oct 19 17:26:24 2016** PAGE 2 OF 7 | 1.00

# Audio Codec

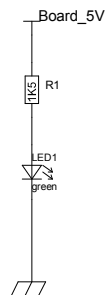


# USB Host

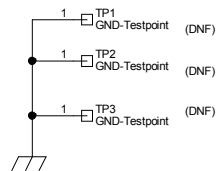


# PMOD, Power LED, Power Supply

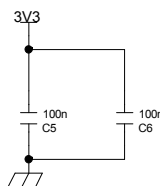
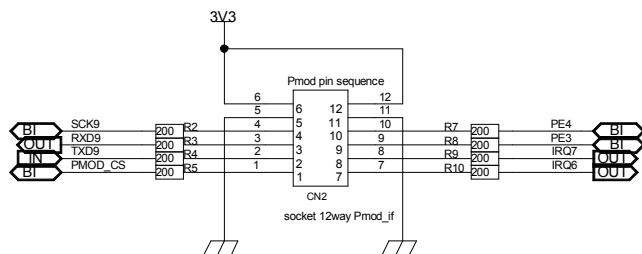
## Power LED



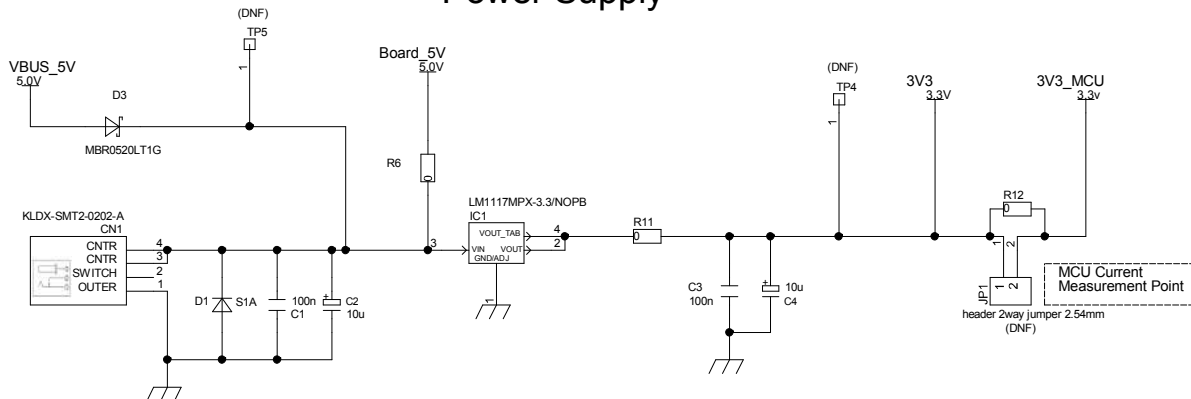
## Ground Testpoints



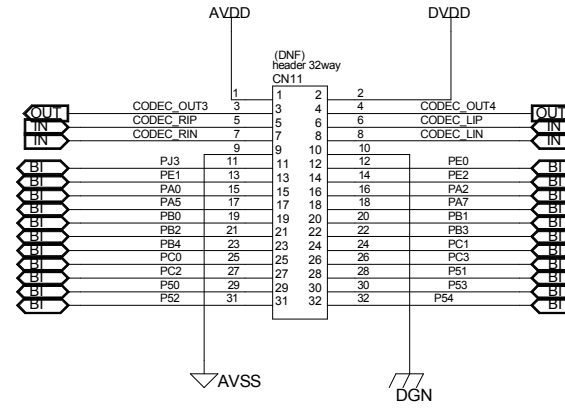
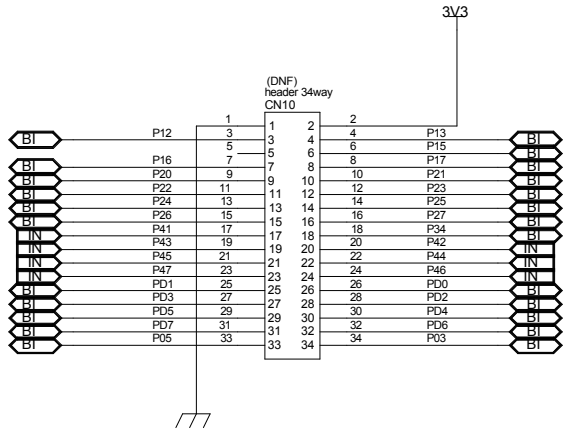
## PMOD



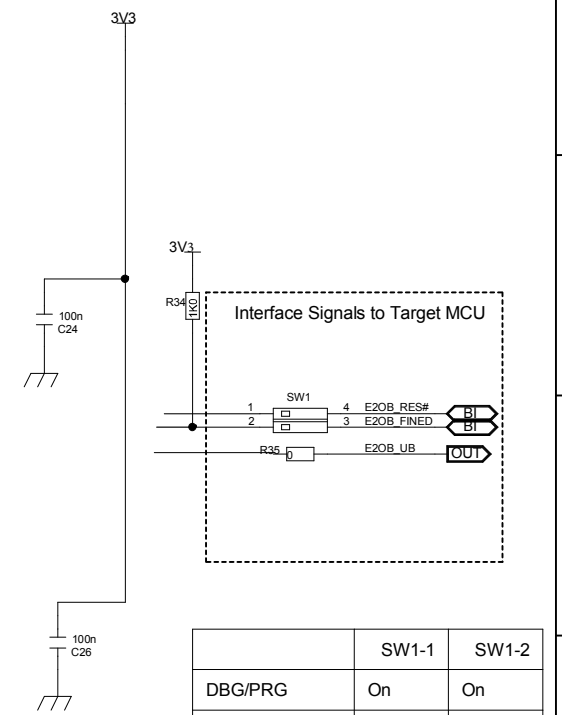
## Power Supply



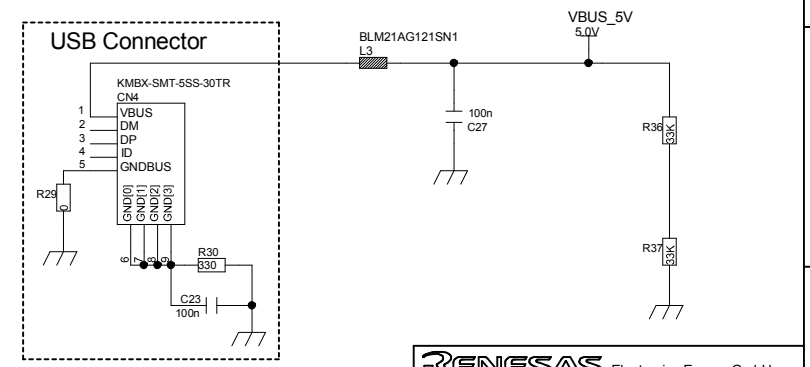
# Application Headers



On Board Debugger  
 This page is left intentionally blank



	SW1-1	SW1-2
DBG/PRG	On	On
Standalone MCU Operation	Off	Off



**RENESAS** Electronics Europe GmbH

Title: **Hear-It Solution Kit**

Size: **A3** | Document Number: **D014642\_04**

Date: **Tue Jul 26 09:44:05 2016** | PAGE 7 OF 7 | 1.00