

# SH7264/62 Optional board M3A-HS64G01 SCHEMATICS

## TITLE

## PAGE

INDEX	1
CPU Board Stack Connector	2
Character LCD/SD Card Slot	3
Audio CODEC	4
Audio D/A Converter	5
CD/UART/IIC/RSPDIF/Rotary Encoder	6
LCD Module Connector	7
CAN/IEBus	8
Key Input	9
Power Generate	10

## Note:

↗ Digital GND (GND)

⊕ Analog GND (AVSS)

↘ Analog GND (AGND)

☐ Not mounted

12VCC = Digital 12V Power in

8VCC = Digital 8V for CD

5VCC = Digital 5V

5AVCC = Analog 5V for Audio CODEC

3VCC = Digital 3.3V

3AVCC = Analog 3.3V for Audio DAC

AVcc = Analog 3.3V for Key Input

MCVCC = Digital 3.3V / 5V for SD

R = Fixed Resistors

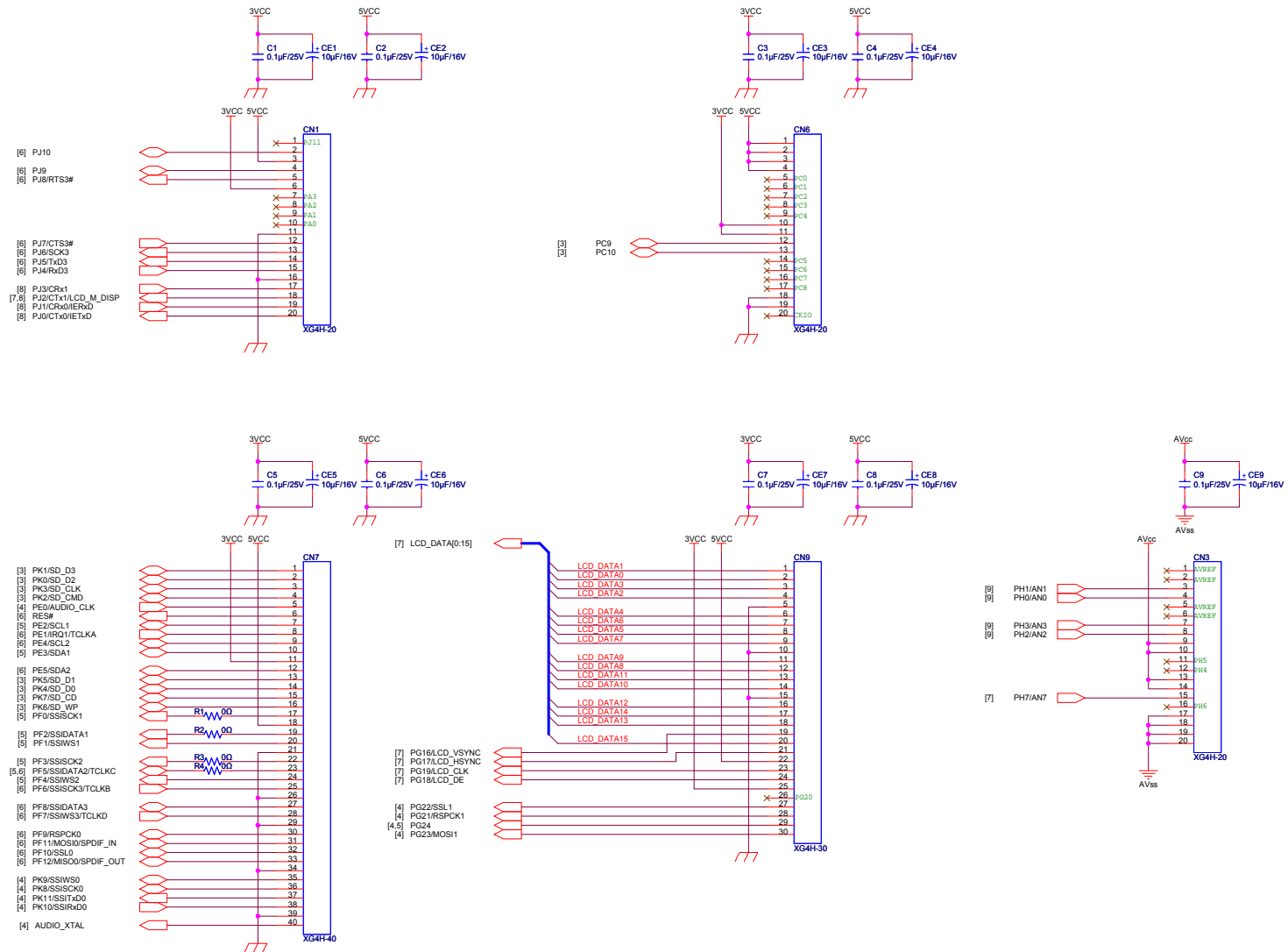
C = Ceramic Caps

CP = Decoupling Caps

CE = Electrolytic Caps (Tantal / Electric)

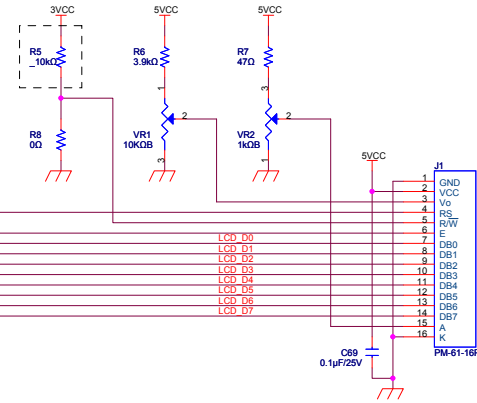
CHANGE	Ver. 1.00B	Renesas Solutions Corp.				M3A-HS64G01	
		SCALE	DRAWN	CHECKED	DESIGNED	APPROVED	INDEX ( 1 / 10 )
		DATE	09-03-02				DK30759

# M3A-HS64/HS62 CPU Board Stack Connector

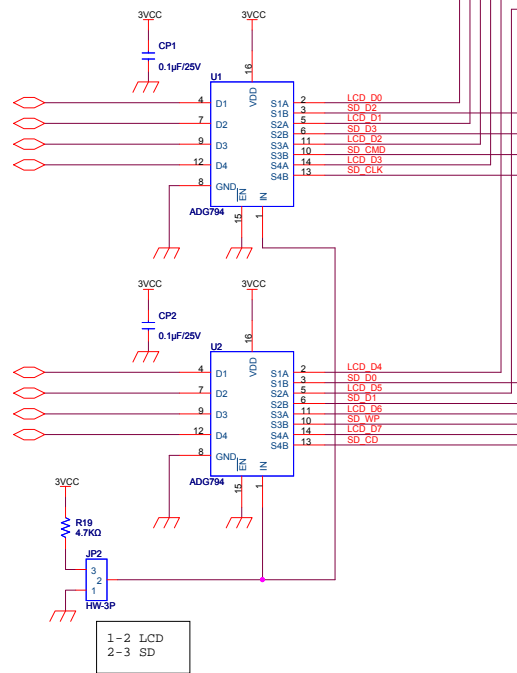


CHANGE	Ver. 1.00B	Renesas Solutions Corp.				M3A-HS64G01		
						CPU Board Stack Connector ( 2 / 10 )		
		SCALE		DRAWN	CHECKED	DESIGNED	APPROVED	DK30759
		DATE	09-03-02					

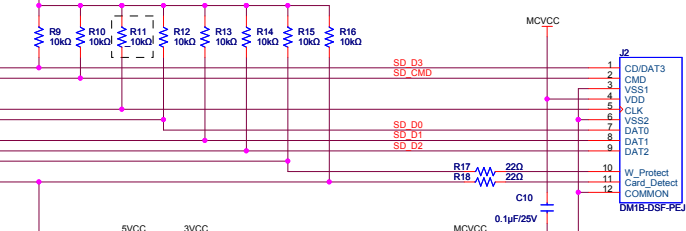
### Character Type LCD Connector



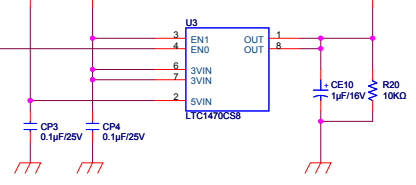
### LCD/SD Selector



### SD Card Slot



### SD Card Power Control



HS62 [PG15] -- [2] PC9  
 HS62 [PG16] -- [2] PC10

[2] PK0/SD\_D2  
 [2] PK1/SD\_D3  
 [2] PK2/SD\_CMD  
 [2] PK3/SD\_CLK

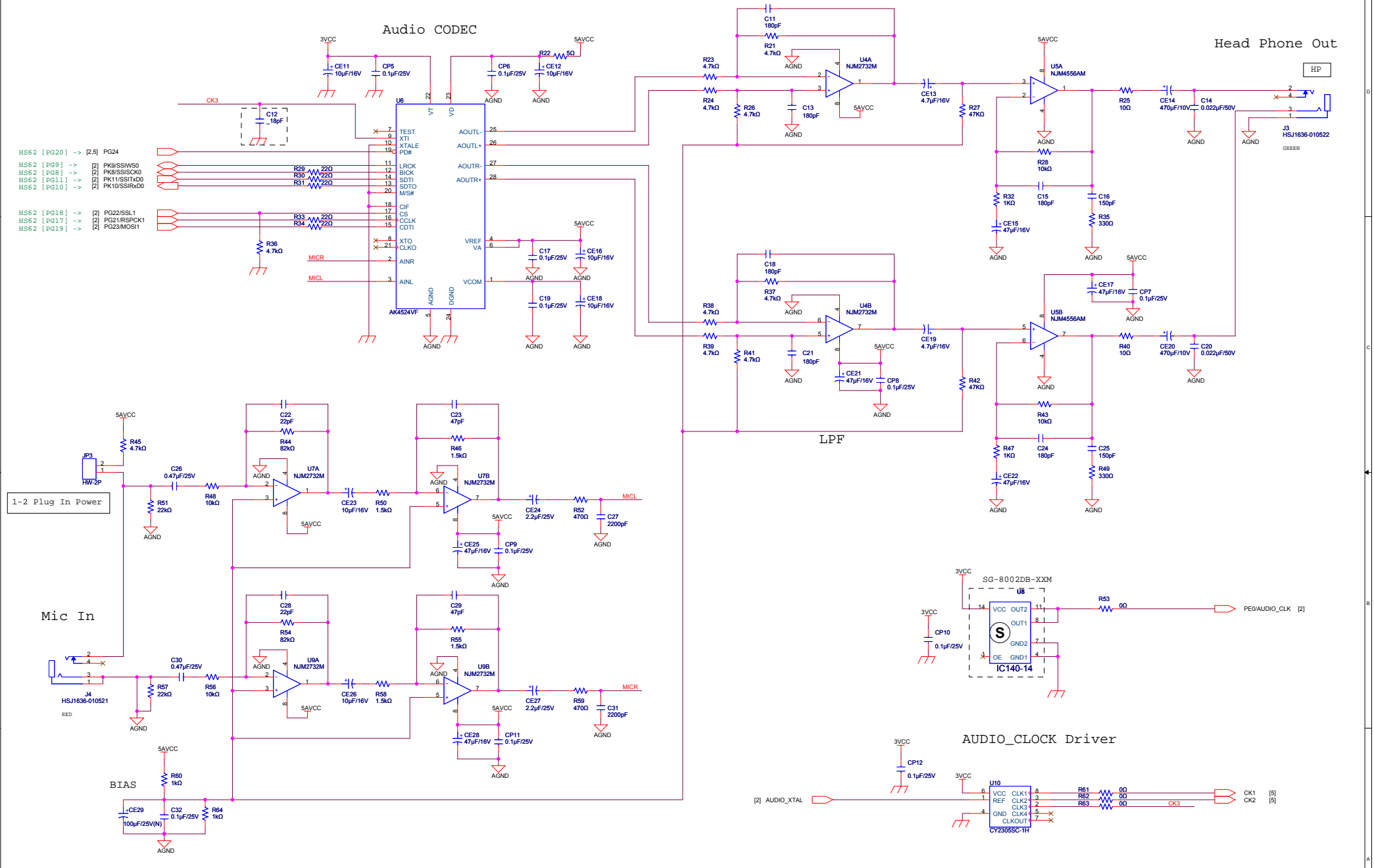
When SD is selected, the SD signal of PG0-PG7 is used in HS62.

[2] PK4/SD\_D0  
 [2] PK5/SD\_D1  
 [2] PK6/SD\_WP  
 [2] PK7/SD\_CD

1-2 LCD  
 2-3 SD

CHANGE	Ver. 1.00B	Renesas Solutions Corp.				M3A-HS64G01	
		SCALE	DRAWN	CHECKED	DESIGNED	APPROVED	Character LCD/SD Card Slot ( 3 / 10 )
		DATE	09-03-02				DK30759

# Audio Interface



- HS62 [PG20] -> [2,5] PG24
- HS62 [PG9] -> [2] PK9/SSW50
- HS62 [PG8] -> [2] PK9/SSWCK0
- HS62 [PG11] -> [2] PK11/SSITxD0
- HS62 [PG10] -> [2] PK10/SSIRxD0
- HS62 [PG18] -> [2] PG22/SSL1
- HS62 [PG17] -> [2] PG21/RSPCK1
- HS62 [PG19] -> [2] PG23/MOSH1

1-2 Plug In Power

Mic In

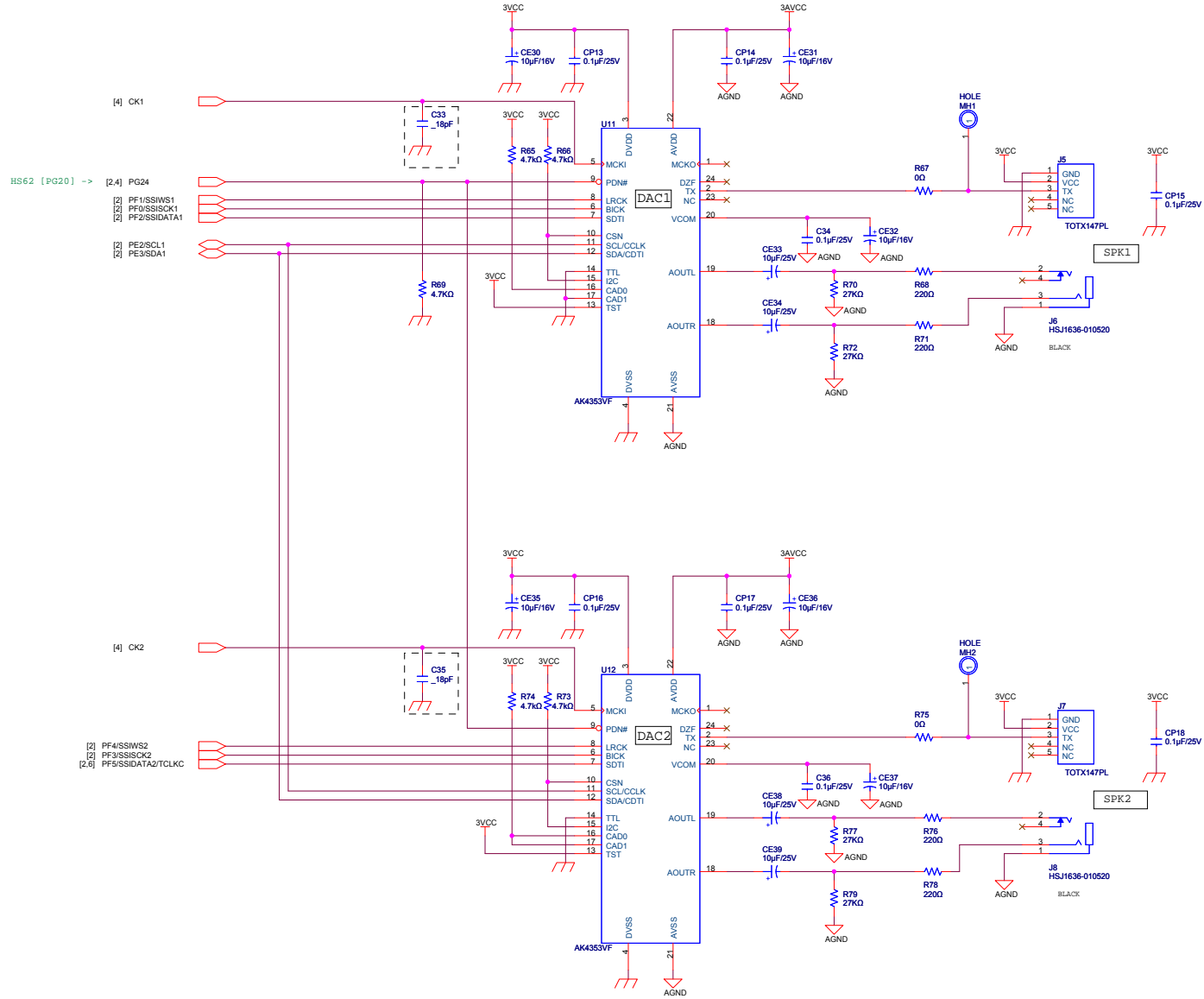
BIAS

CHANGE

Ver. 1.00B

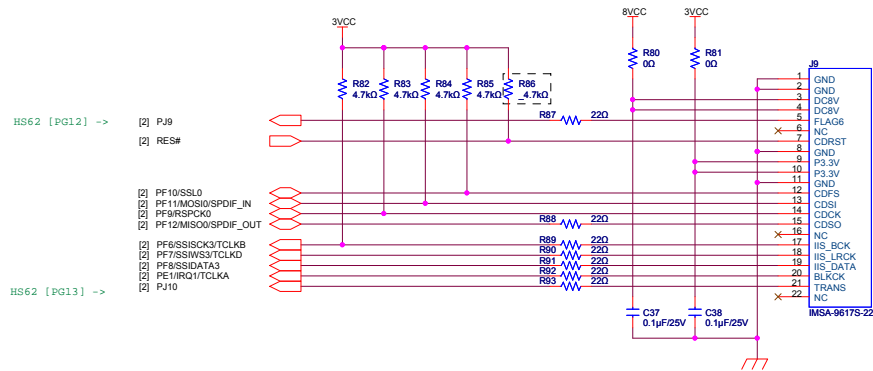
Renesas Solutions Corp.				M3A-HS64G01	
DRAWN				Audio CODEC	
CHECKED				( 4 / 10 )	
DESIGNED				DK30759	
APPROVED					
SCALE					
DATE	09-03-02				

### Audio DAC

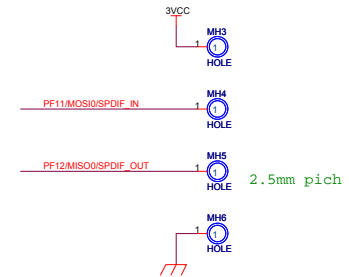


CHANGE	Ver. 1.00B	Renesas Solutions Corp.				M3A-HS64G01	
		SCALE	DRAWN	CHECKED	DESIGNED	APPROVED	Audio D/A Converter ( 5 / 10 )
		DATE	09-03-02				DK30759

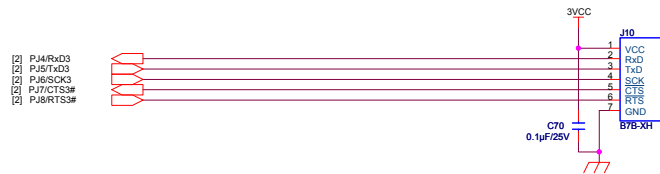
### CD deck Interface



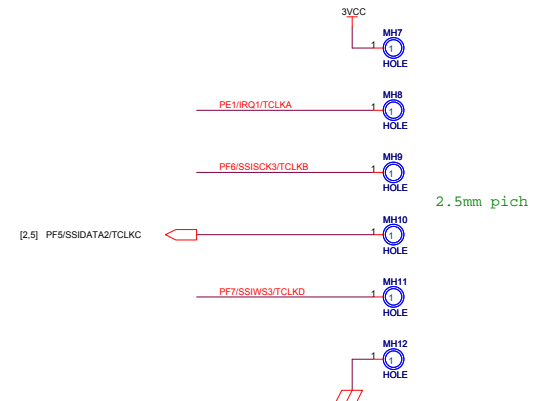
### RSPDIF Through Hole.



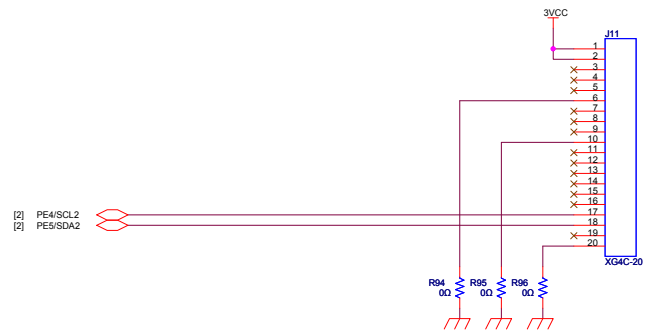
### UART Interface



### Rotary Encoder Through Hole.

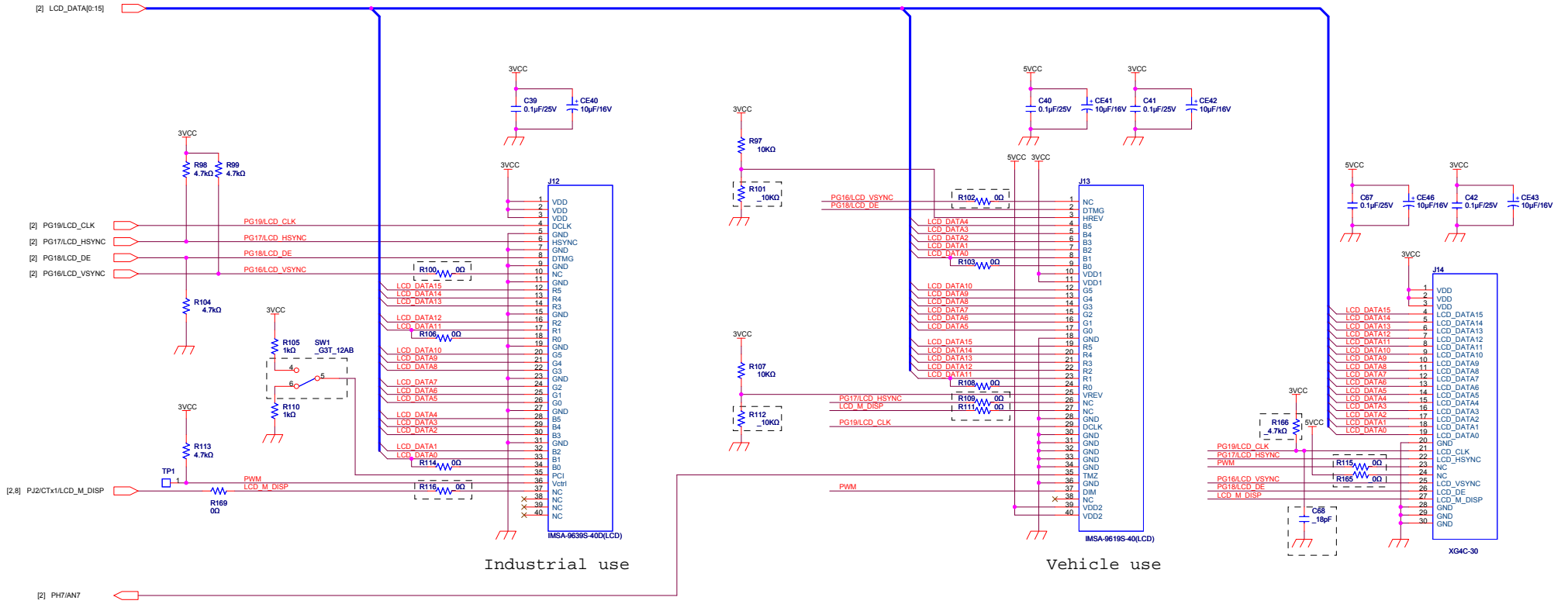


### IIC Interface

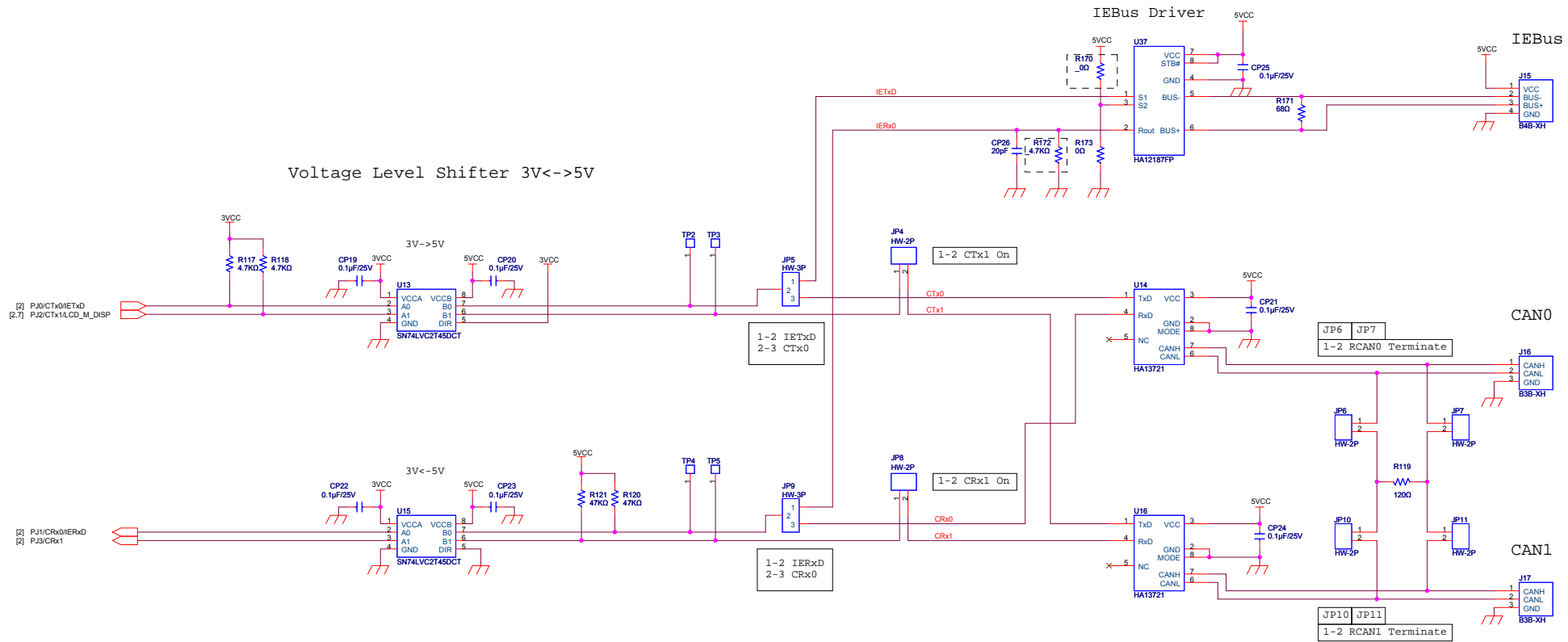


CHANGE	Ver. 1.00B	Renesas Solutions Corp.				M3A-HS64G01	
		SCALE	DRAWN	CHECKED	DESIGNED	APPROVED	CD/UART/IIC/RSPDIF/Rotary Enc. ( 6 / 10 )
		DATE	09-03-02				DK30759

### TFT LCD Module Interface

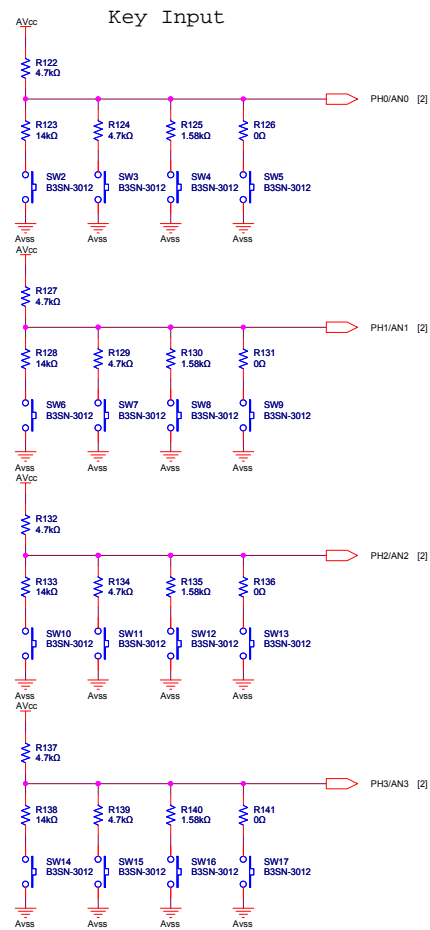


CHANGE	Renesas Solutions Corp.				M3A-HS64G01	
					LCD Module Connector	
	SCALE		DRAWN	CHECKED	DESIGNED	APPROVED
	DATE	09-03-02				
Ver. 1.00B				DK30759		

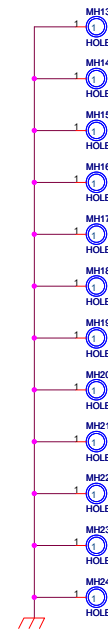


CHANGE	Ver. 1.00B		Renesas Solutions Corp.				M3A-HS64G01
	SCALE		DRAWN	CHECKED	DESIGNED	APPROVED	CAN/IEBus ( 8 / 10 )
	DATE	09-03-02					DK30759





Board fixed hole.



CHANGE

Ver. 1.00B

Renesas Solutions Corp.

M3A-HS64G01

Key Input

( 9 / 10 )

SCALE

DATE

09-03-02

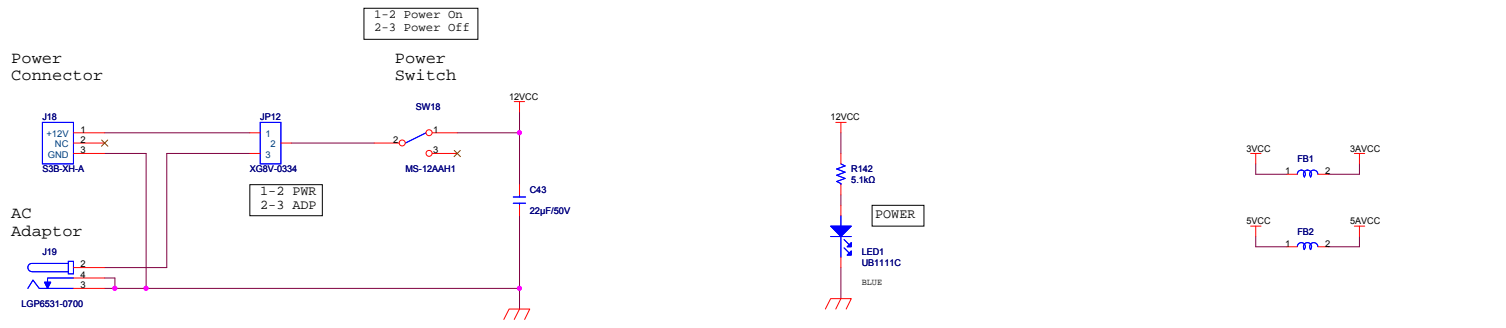
DRAWN

CHECKED

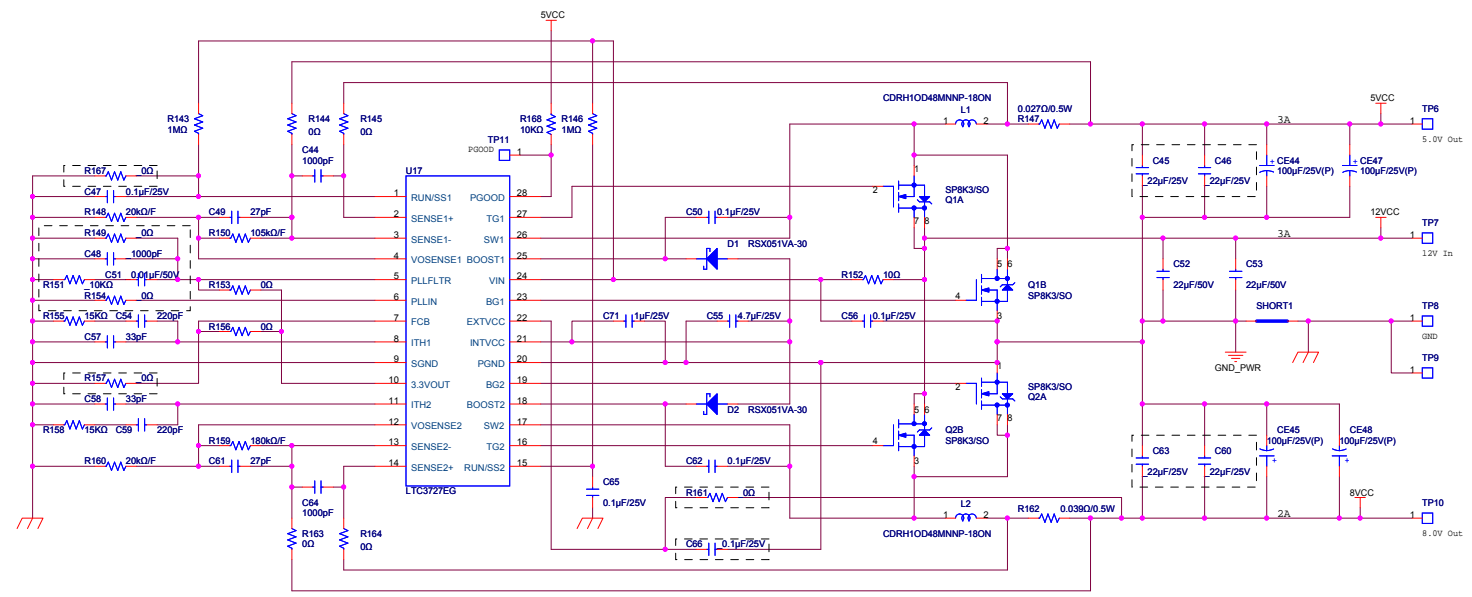
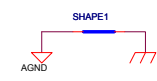
DESIGNED

APPROVED

DK30759



Please make AGND and one point of GND connection.



CHANGE	Ver. 1.00B	Renesas Solutions Corp.				M3A-HS64G01	
		SCALE	DRAWN	CHECKED	DESIGNED	APPROVED	Power Generate ( 10 / 10 )
		DATE	09-03-02				DK30759