

To our customers,

---

## Old Company Name in Catalogs and Other Documents

---

On April 1<sup>st</sup>, 2010, NEC Electronics Corporation merged with Renesas Technology Corporation, and Renesas Electronics Corporation took over all the business of both companies. Therefore, although the old company name remains in this document, it is a valid Renesas Electronics document. We appreciate your understanding.

Renesas Electronics website: <http://www.renesas.com>

April 1<sup>st</sup>, 2010  
Renesas Electronics Corporation

Issued by: Renesas Electronics Corporation (<http://www.renesas.com>)

Send any inquiries to <http://www.renesas.com/inquiry>.

# M306H2MC-XXXFP

SINGLE-CHIP 16-BIT CMOS MICROCOMPUTER  
with DATA ACQUISITION CONTROLLER

REJ19B0753-0100

## RENESAS TECHNOLOGY SINGLE-CHIP 16-BIT MICROCOMPUTER M306H2MC-XXXFP MASK ROM CONFIRMATION FORM

Mask ROM number	
-----------------	--

Receipt	Date :	
	Section head signature	Supervisor signature

Note : Please complete all items marked ※

※ Customer	Company name	TEL ( )	Issuance signature	Submitted by	Supervisor
	Date issued	Date :			

### ※ 1. Check sheet

Name the product you order, and choose which to give in, EPROMs or floppy disks.  
If you order by means of EPROMs, three sets of EPROMs are required per pattern. If you order by means of floppy disks, one floppy disk is required per pattern.

In the case of EPROMs

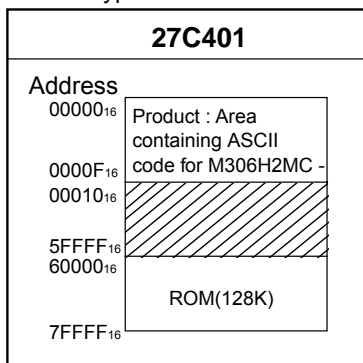
Renesas will create the mask using the data on the EPROMs supplied, providing the data is the same on at least two of those sets. Renesas will, therefore, only accept liability if there is any discrepancy between the data on the EPROM sets and the ROM data written to the product. Please carefully check the data on the EPROMs being submitted to Renesas.

Checksum code for total EPROM area : 

--	--	--	--

 (hex)

EPROM type :



- (1) Write "FF<sub>16</sub>" to the lined area.
- (2) The area from 00000<sub>16</sub> to 0000F<sub>16</sub> is for storing data on the product type name.  
The ASCII code for 'M306H2MC-' is shown at right.  
The data in this table must be written to address 00000<sub>16</sub> to 0000F<sub>16</sub>.  
Both address and data are shown in hex.

Address		Address	
00000 <sub>16</sub>	'M' = 4D <sub>16</sub>	00008 <sub>16</sub>	'_' = 2D <sub>16</sub>
00001 <sub>16</sub>	'3' = 33 <sub>16</sub>	00009 <sub>16</sub>	FF <sub>16</sub>
00002 <sub>16</sub>	'0' = 30 <sub>16</sub>	0000A <sub>16</sub>	FF <sub>16</sub>
00003 <sub>16</sub>	'6' = 36 <sub>16</sub>	0000B <sub>16</sub>	FF <sub>16</sub>
00004 <sub>16</sub>	'H' = 48 <sub>16</sub>	0000C <sub>16</sub>	FF <sub>16</sub>
00005 <sub>16</sub>	'2' = 32 <sub>16</sub>	0000D <sub>16</sub>	FF <sub>16</sub>
00006 <sub>16</sub>	'M' = 4D <sub>16</sub>	0000E <sub>16</sub>	FF <sub>16</sub>
00007 <sub>16</sub>	'C' = 43 <sub>16</sub>	0000F <sub>16</sub>	FF <sub>16</sub>

# M306H2MC-XXXFP

SINGLE-CHIP 16-BIT CMOS MICROCOMPUTER  
with DATA ACQUISITION CONTROLLER

REJ19B0753-0100

**RENESAS TECHNOLOGY SINGLE-CHIP 16-BIT  
MICROCOMPUTER M306H2MC-XXXFP  
MASK ROM CONFIRMATION FORM**

Mask ROM number	
-----------------	--

The ASCII code for the type No. can be written to EPROM addresses 00000<sub>16</sub> to 0000F<sub>16</sub> by specifying the pseudo-instructions shown in the following table at the beginning of the assembler source program.

EPROM type	27C401
Code entered in source program	△.SECTION △ASCII CODE, ROM DATA △.ORG △080000H △.BYTE △' M306H2MC- '

Note: The ROM cannot be processed if the type No. written to the EPROM does not match the type No. in the check sheet.

In the case of floppy disks

Renesas processes the mask files generated by the mask file generation utilities out of those held on the floppy disks you give in to us, and forms them into masks. Hence, we assume liability provided that there is any discrepancy between the contents of these mask files and the ROM data to be burned into products we produce. Check thoroughly the contents of the mask files you give in. Prepare 3.5 inches 2HD(IBM format) floppy disks. And store only one mask file in a floppy disk.

File code : 

--	--	--	--	--	--	--	--

 (hex)

Mask file name : 

--	--	--	--	--	--	--	--

 .MSK (alpha-numeric 8-digit)

Note: When using the floppy disks, do not store the type No. to addresses 00000<sub>16</sub> to 0000F<sub>16</sub>.

※2. Mark specification

The mark specification differs according to the type of package. After entering the mark specification on the separate mark specification sheet (for each package), attach that sheet to this masking check sheet for submission to Renesas.

For the M306H2MC-XXXFP, submit the 116P6A mark specification sheet.

# M306H2MC-XXXFP

SINGLE-CHIP 16-BIT CMOS MICROCOMPUTER  
with DATA ACQUISITION CONTROLLER

REJ19B0753-0100

**RENESAS TECHNOLOGY SINGLE-CHIP 16-BIT  
MICROCOMPUTER M306H2MC-XXXFP  
MASK ROM CONFIRMATION FORM**

Mask ROM number	
-----------------	--

※ 3. Usage Conditions

For our reference when of testing our products, please reply to the following questions about the usage of the products you ordered.

(1) Which kind of X<sub>IN</sub>-X<sub>OUT</sub> oscillation circuit is used?

- Ceramic resonator                       Quartz-crystal oscillator  
 External clock input                       Other (                      )

What frequency do you use?

f(X<sub>IN</sub>) =  MHz

(2) Which kind of X<sub>CIN</sub>-X<sub>COUT</sub> oscillation circuit is used?

- Ceramic resonator                       Quartz-crystal oscillator  
 External clock input                       Other (                      )

What frequency do you use?

f(X<sub>CIN</sub>) =  kHz

(3) Which operation mode do you use?

- Single-chip mode                       Memory expansion mode  
 Microprocessor mode

(4) Do you use I<sup>2</sup>C (Inter IC)bus function?

- Not user                       Use

(5) Do you use IE (Inter Equipment)bus function?

- Not user                       Use

※ Thank you cooperation.

※ 4. Special item (Indicate none if there is no specified item)

# M306H2MC-XXXFP

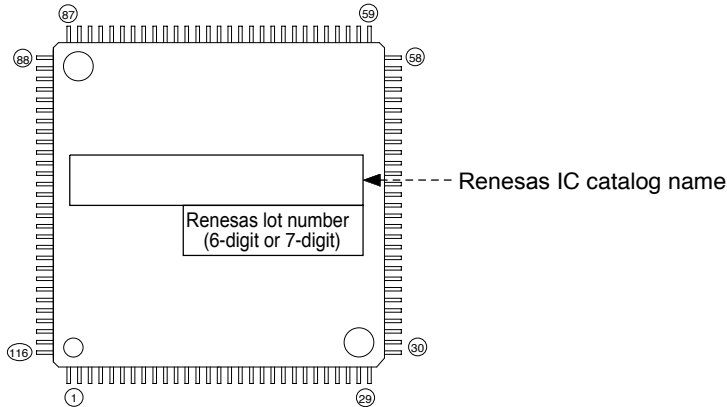
SINGLE-CHIP 16-BIT CMOS MICROCOMPUTER  
with DATA ACQUISITION CONTROLLER

## 116P6A (116-PIN) MARK SPECIFICATION FORM

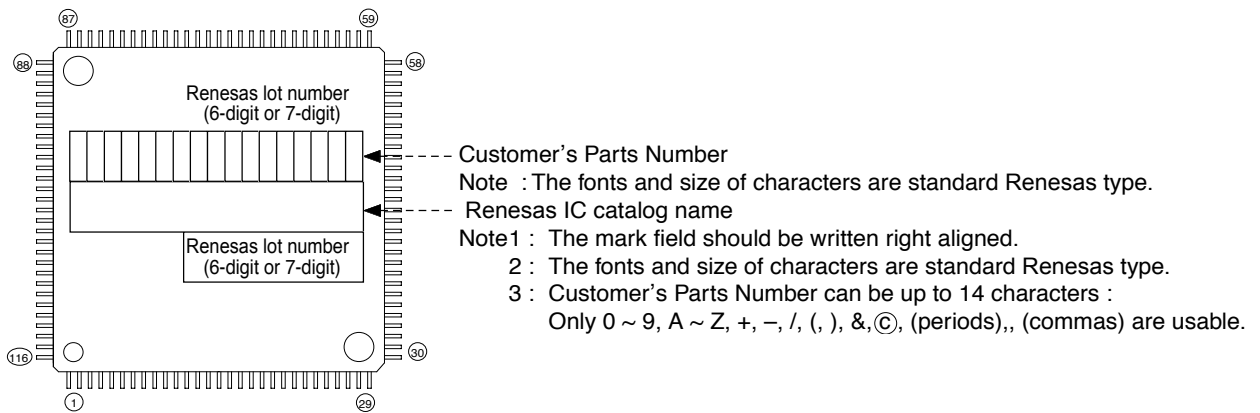
Renesas IC catalog name

Please choose one of the marking types below (A, B, C), and enter the Renesas catalog name and the special mark (if needed).

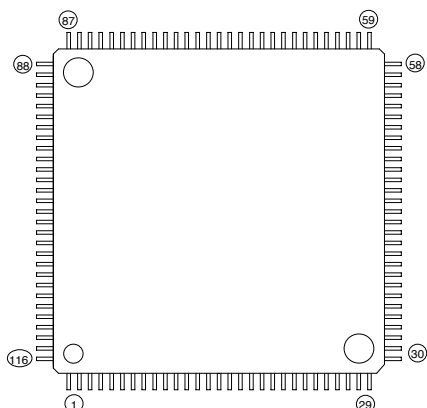
### A. Standard Renesas Mark



### B. Customer's Parts Number + Renesas catalog name



### C. Special Mark Required



- Note1: If the Special Mark is to be Printed, indicate the desired layout of the mark in the left figure. The layout will be duplicated as close as possible. Renesas lot number (6-digit or 7-digit) and Mask ROM number (3-digit) are always marked.
- 2: If the customer's trade mark logo must be used in the Special Mark, check the box below.  
Please submit a clean original of the logo.  
For the new special character fonts a clean font original (ideally logo drawing) must be submitted.

Special logo required