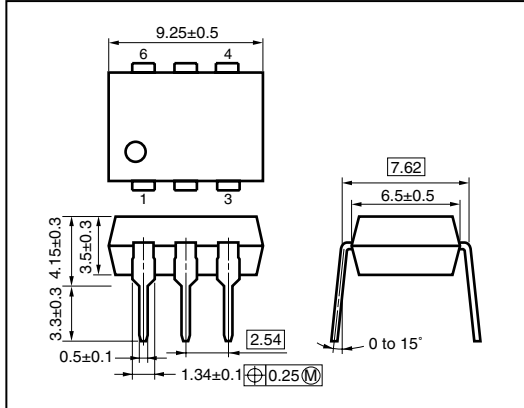


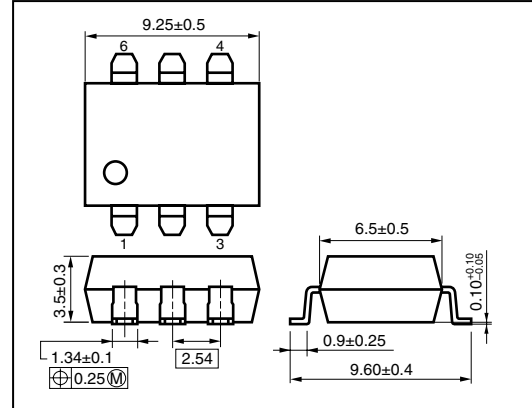
6.5 OPTICAL COUPLED MOS FET STANDARD (DIP)

(1) 6-pin DIP (Unit: mm)

DIP

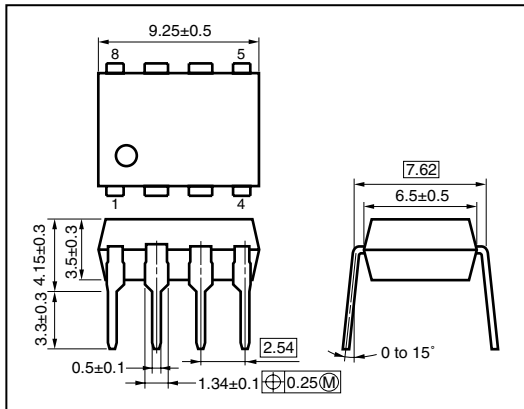


Surface mount

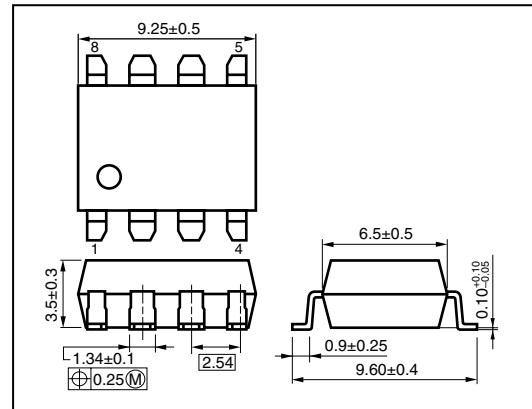


(2) 8-pin DIP (Unit: mm)

DIP

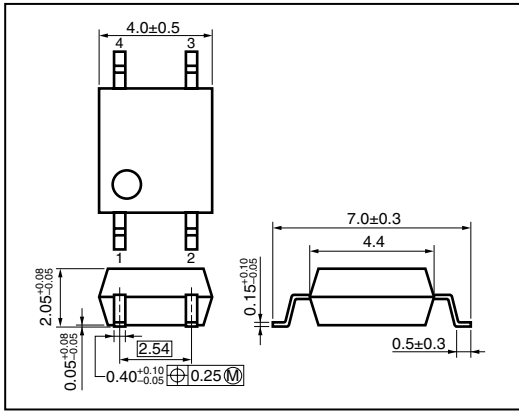


Surface mount

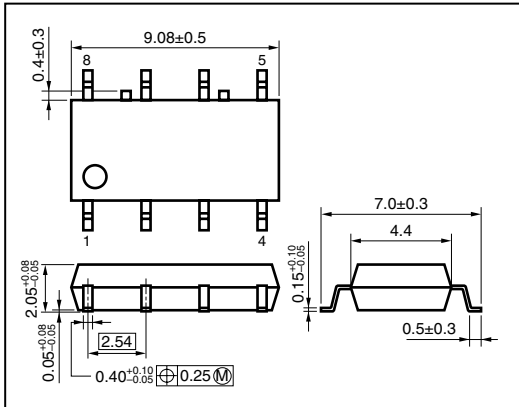


6.6 OPTICAL COUPLED MOS FET STANDARD (SOP)

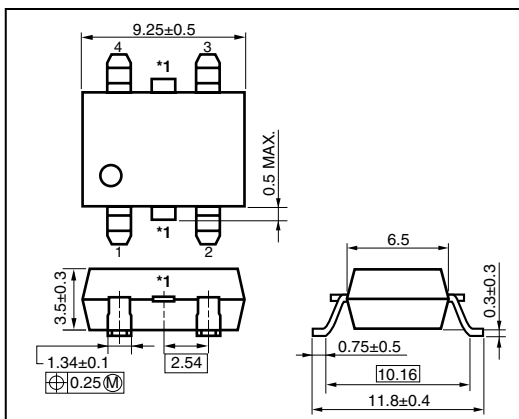
(1) 4-pin SOP (Unit: mm)



(2) 8-pin SOP (Unit: mm)



(3) 4-pin DIP (Unit: mm)



*1 The remains of lead cut

6.7 OPTICAL COUPLED MOS FET STANDARD (SSOP)

(1) 4-pin ultra-small flat-lead (Unit: mm)

