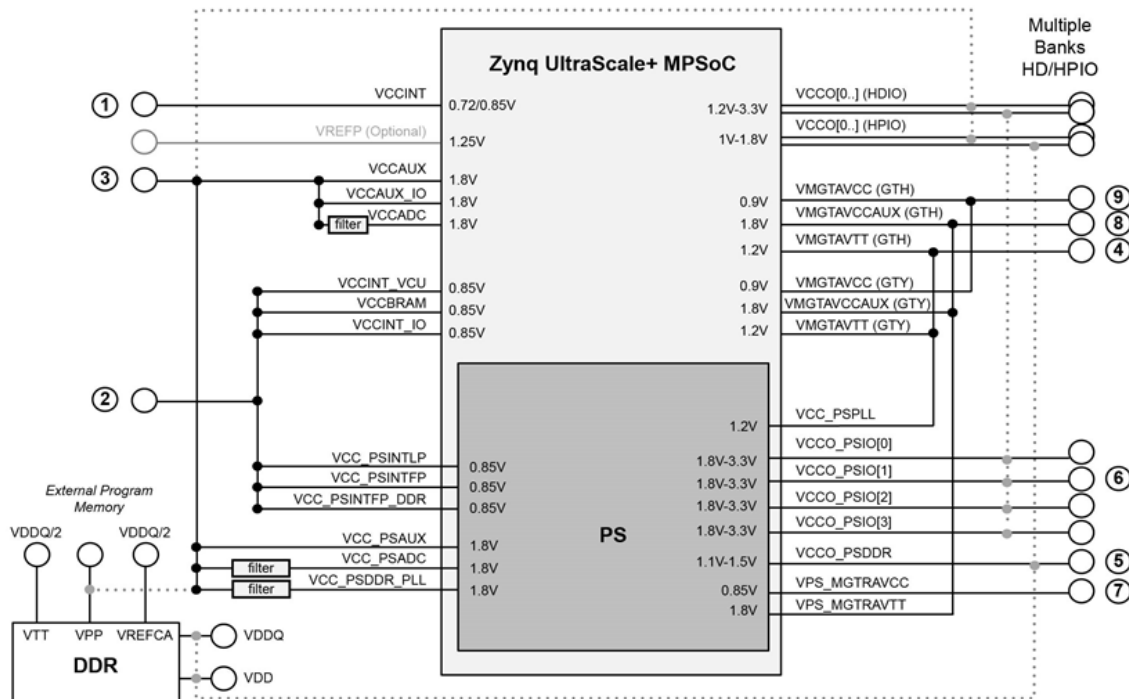
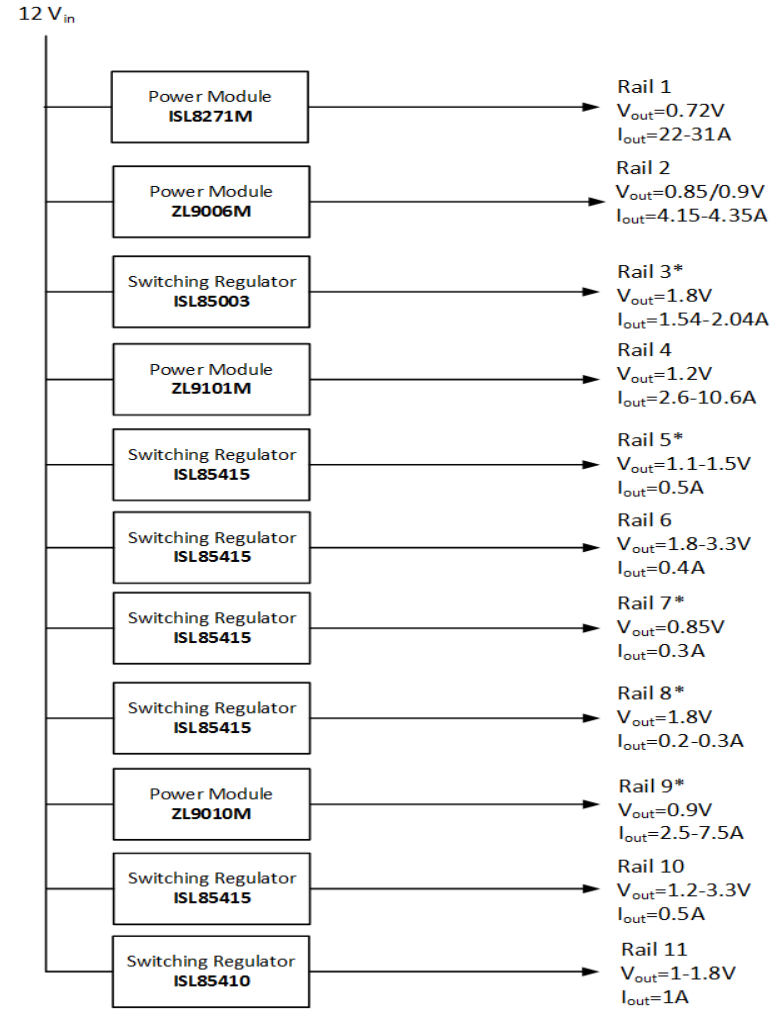


# USECASE 2 #4



© Copyright 2013-2017 Xilinx, Inc.  
All Rights Reserved.

Rail	Voltage	Power Supply Rails
Rail 1	0.72/0.85V	VCCINT
Rail 2	0.85/0.9V	VCC_PSINTFP, VCC_PSINTLP, VCC_PSINTFP_DDR, VCCINT_VCU, VCCINT_IO, VCCBRAM
Rail 3*	1.8V*	VCC_PSAUX, VCCAUX, VCCAUX_IO, VCC_PSDDR_PLL, VCCADC, VCC_PSADC
Rail 4*	1.2V*	VMGTAVTT(GTH), VMGTAVTT(GTY), VCC_PSPLL
Rail 5	1.1-1.5V	VCCO_PSDDR
Rail 6	1.8-3.3V	VCCO_PSI0
Rail 7*	0.85V*	VPS_MGTRAVCC
Rail 8*	1.8V*	VMGTAVCCAUX(GTH), VMGTAVCCAUX(GTY), VPS_MGTRAVTT
Rail 9*	0.9V*	VMGTAVCC(GTH), VMGTAVCC(GTY)
Rail 10	1.2-3.3V	HDIO_VCCO
Rail 11	1-1.8V	HPIO_VCCO



**intersil**

Title: ZYNQ US+ MPSoC Power Rails

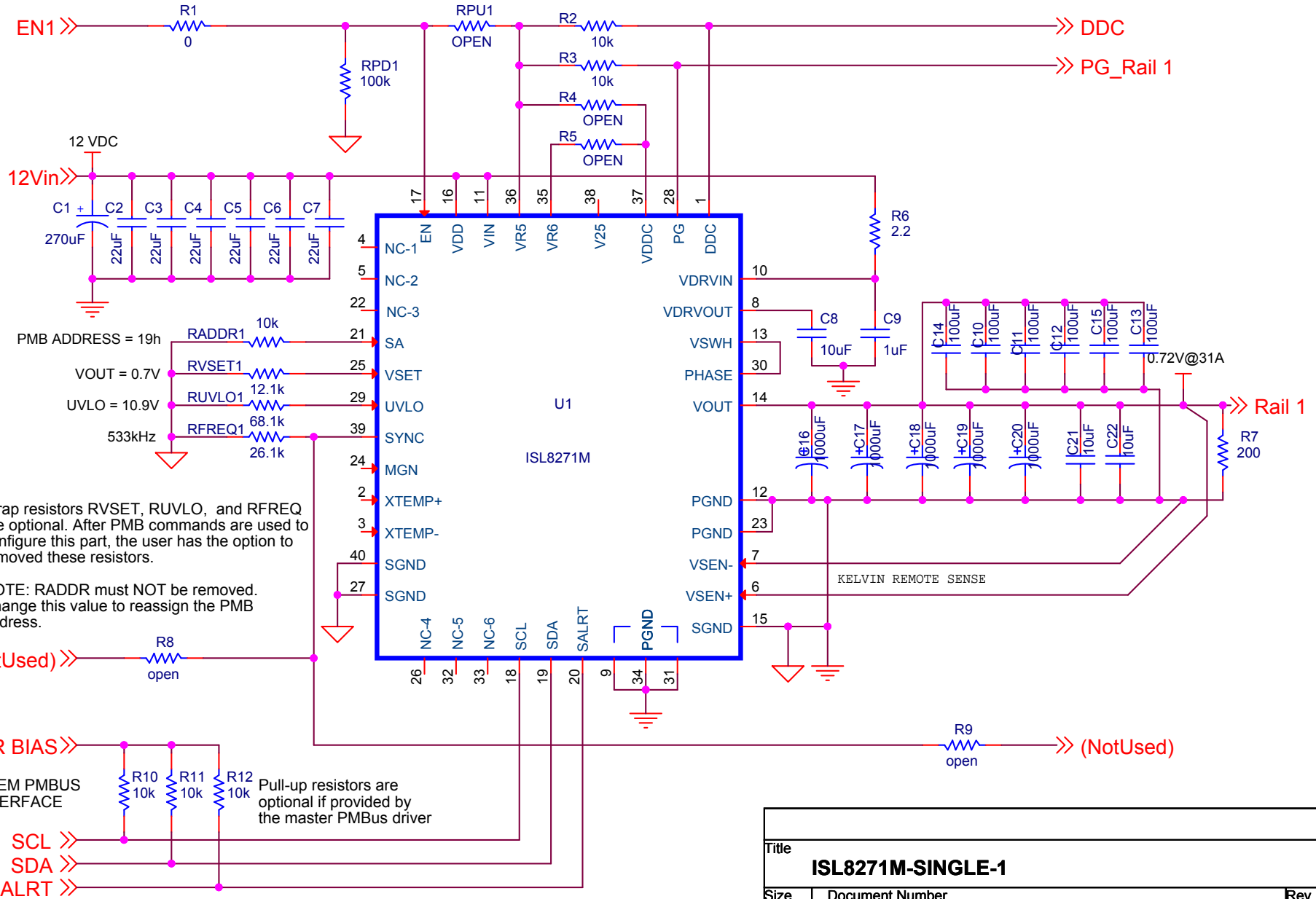
Size B Document Number <Doc> Rev A

Date: Thursday, March 09, 2017 Sheet 1 of 12

# ISL8271M SINGLE OUTPUT (33A)

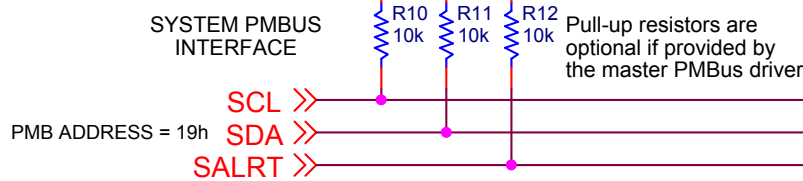
If an external ENABLE is not used, resistor RPU is a Enable pullup for initial evaluation without PMB commands.

Remove RPU and install RPD = 100k to make EN low to allow the use of PMB commands.



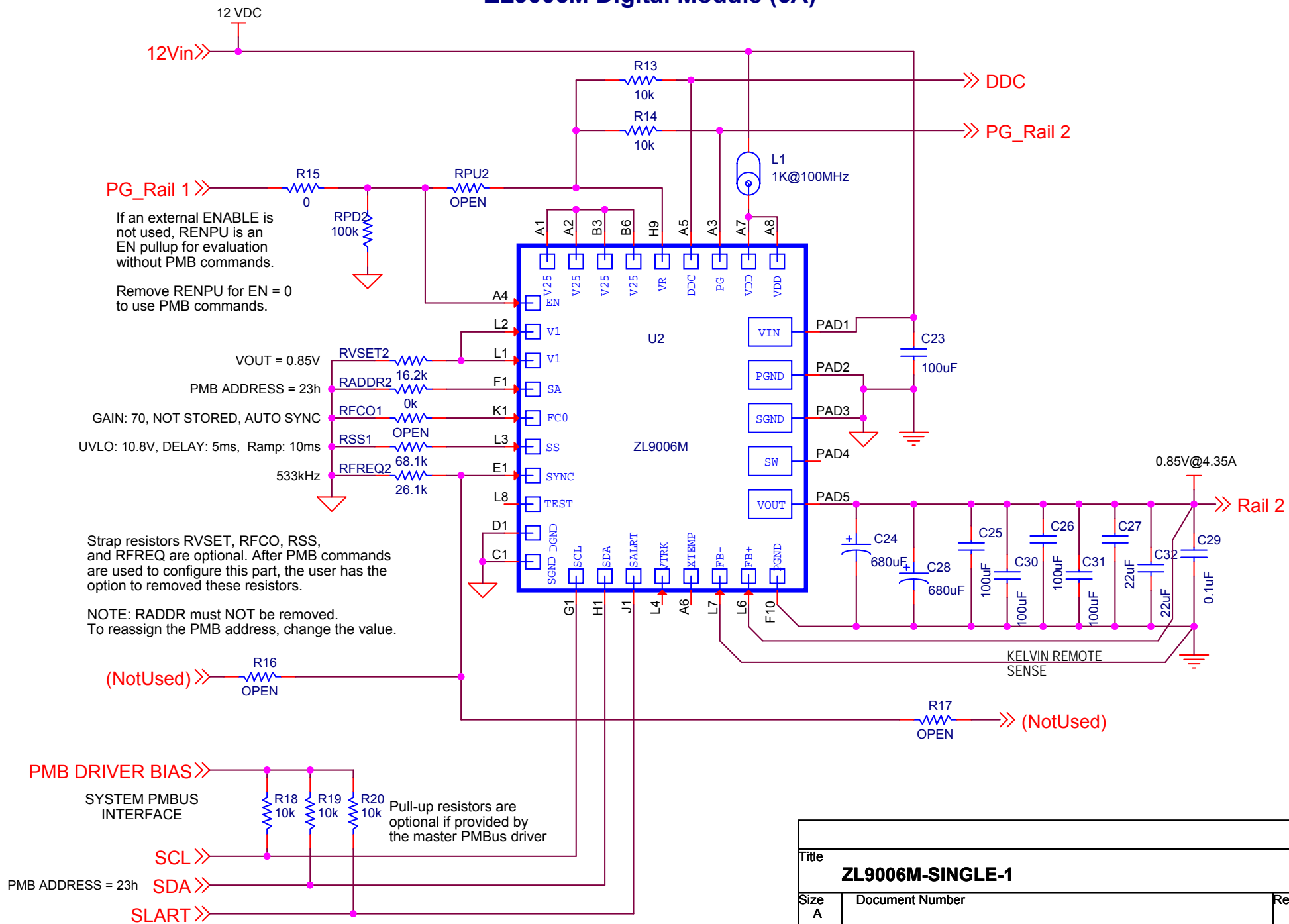
Strap resistors RVSET, RUVLO, and RFREQ are optional. After PMB commands are used to configure this part, the user has the option to removed these resistors.

NOTE: RADDR must NOT be removed. Change this value to reassign the PMB address.



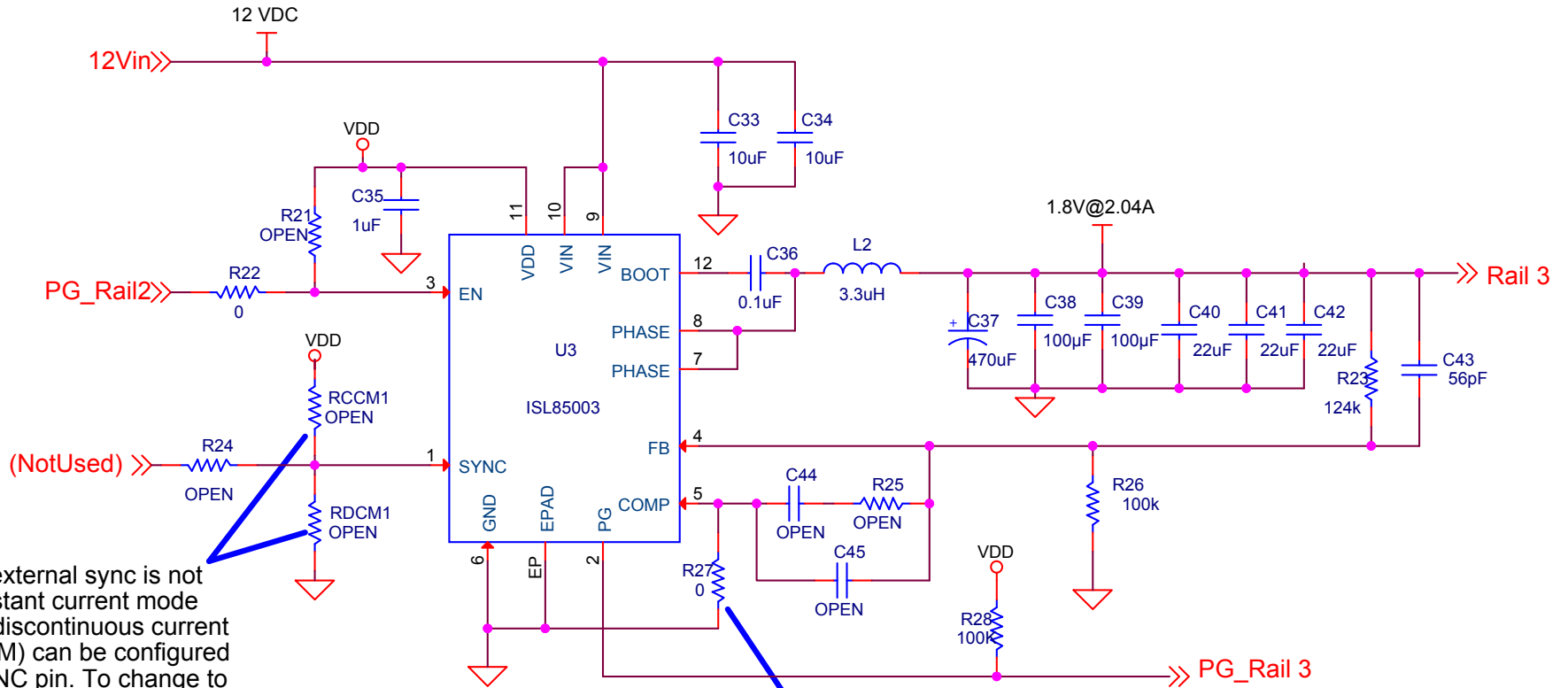
Title		
<b>ISL8271M-SINGLE-1</b>		
Size A	Document Number	Rev
Date:	Sheet 2 of 12	

# ZL9006M Digital Module (6A)



Title		
<b>ZL9006M-SINGLE-1</b>		
Size A	Document Number	Rev
Date:	Sheet 3	of 12

# ISL85003 SINGLE OUTPUT (3A)



When an external sync is not used, constant current mode (CCM) or discontinuous current mode (DCM) can be configured on the SYNC pin. To change to DCM mode, remove RCCM, and change RDCM to 0 ohms.

If custom compensation is desired, remove the ground connection on the COMP pin to enable external compensation.

OPEN value components on the COMP pin are place holders if external compensation is used.

Programmable Soft Start is available in the ISL85003A (without synchronization)

Title		
ISL85003-SINGLE-1		
Size	Document Number	Rev
A	<Doc>	<Rev Co
Date:	Thursday, March 09, 2017	Sheet 4 of 12

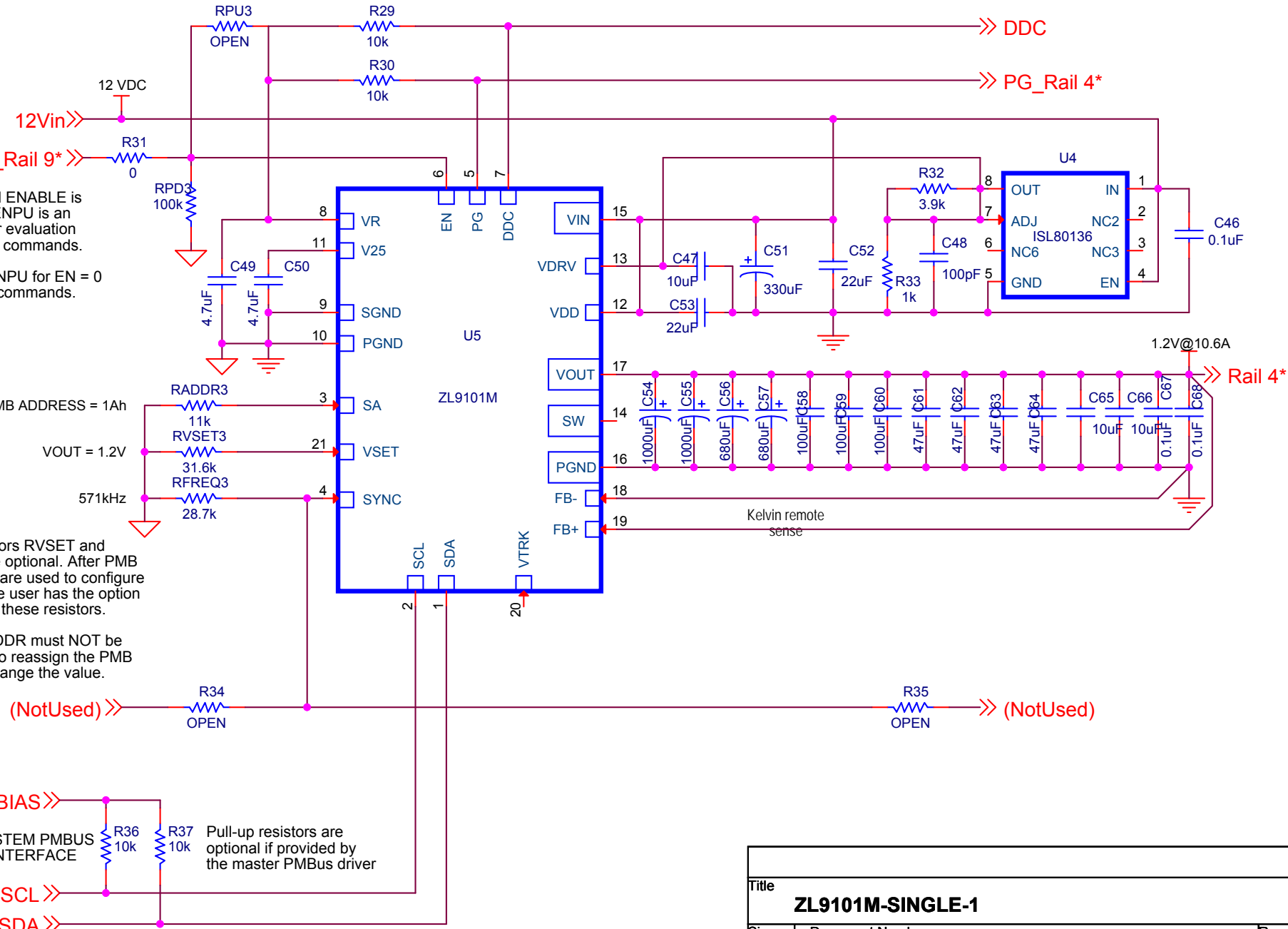
# ZL9101M Digital Module (12A)

If an external ENABLE is not used, RENPU is an EN pullup for evaluation without PMB commands.  
Remove RENPU for EN = 0 to use PMB commands.

PMB ADDRESS = 1Ah  
VOUT = 1.2V  
571kHz

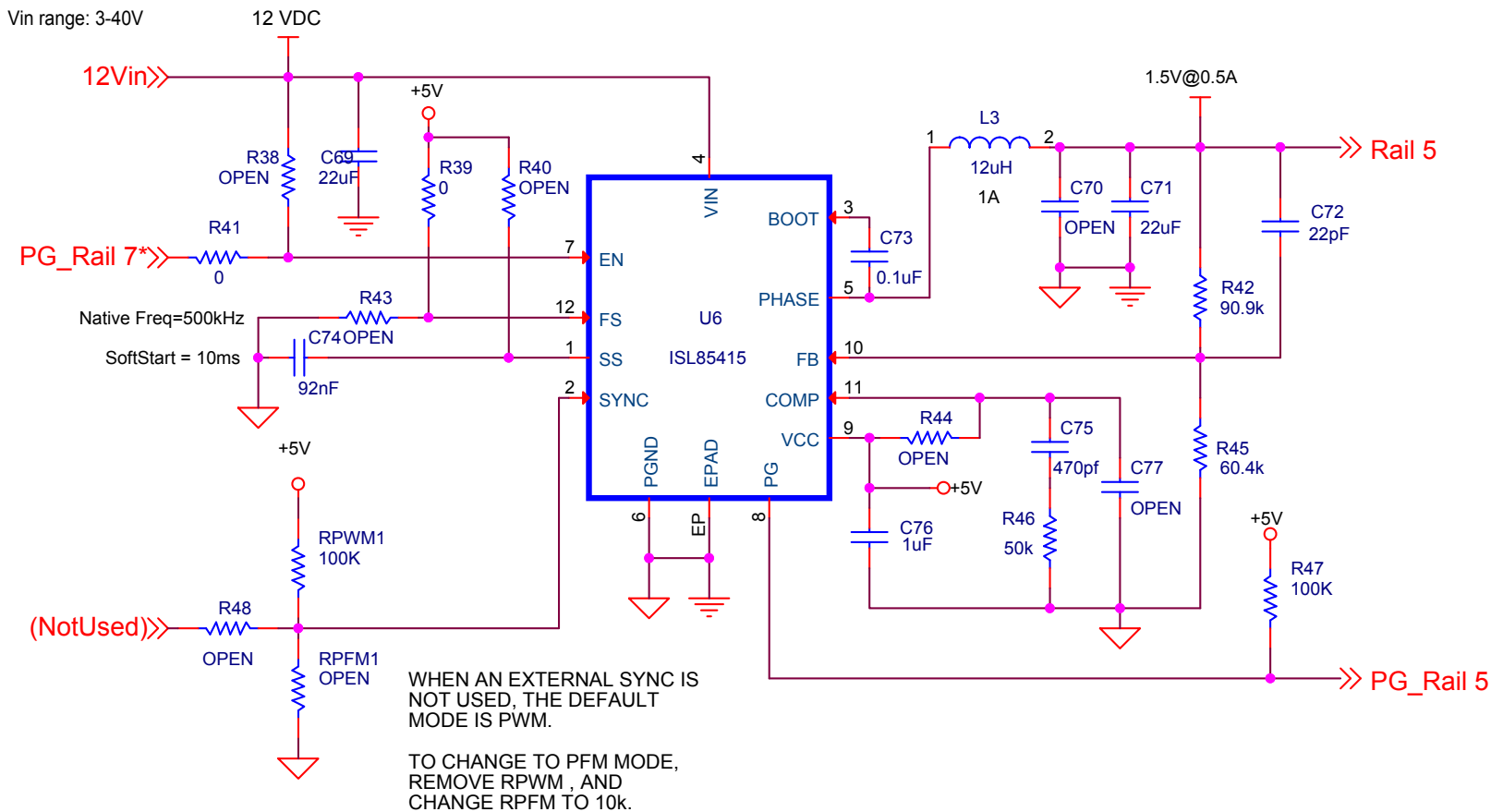
Strap resistors RVSET and RFREQ are optional. After PMB commands are used to configure this part, the user has the option to removed these resistors.  
NOTE: RADDR must NOT be removed. To reassign the PMB address, change the value.

Hardware SALRT not available in the ZL9101M



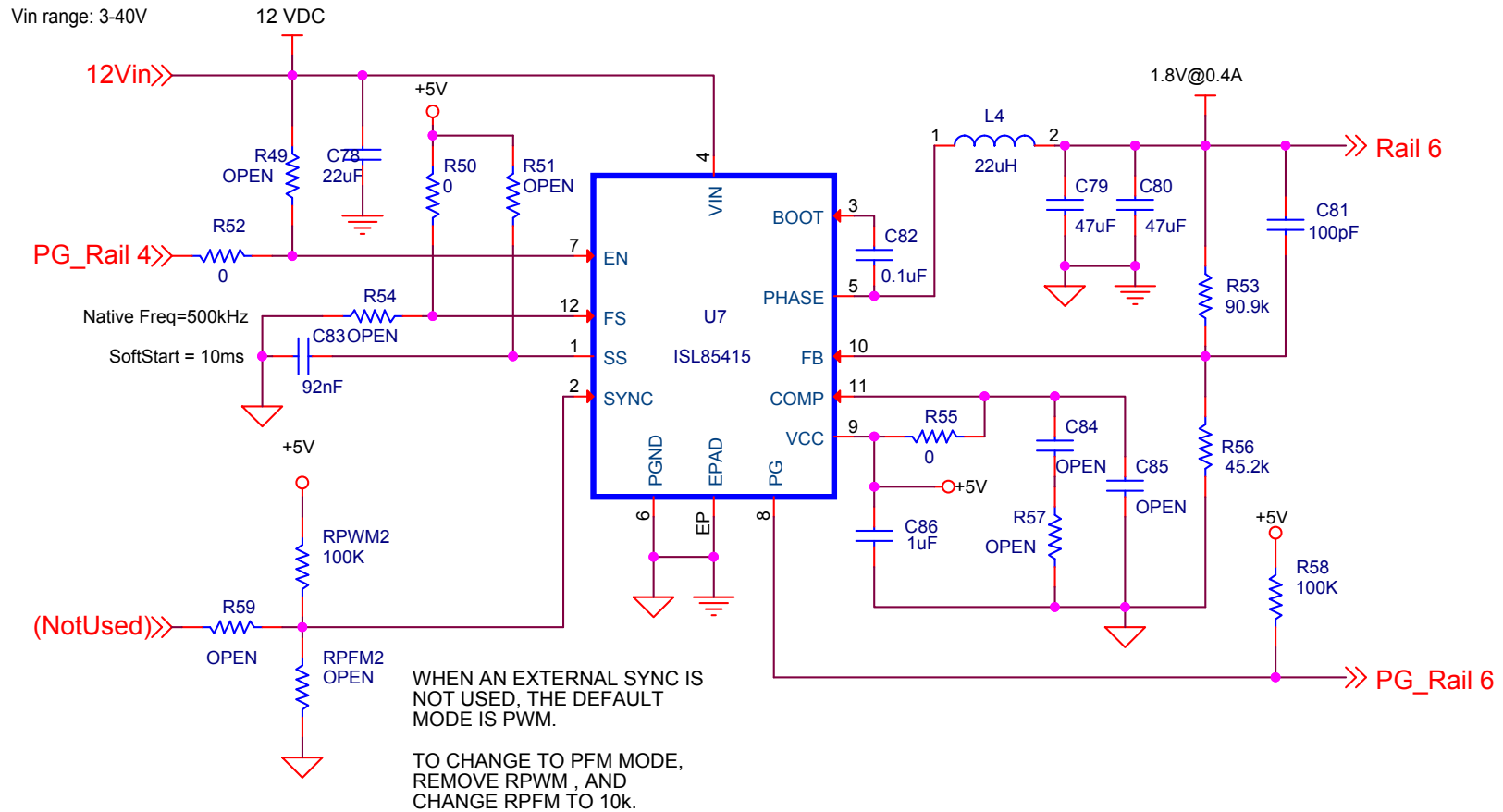
Title		
<b>ZL9101M-SINGLE-1</b>		
Size A	Document Number	Rev
Date:	Sheet 5 of 12	

# ISL85415 SINGLE OUTPUT (500mA)



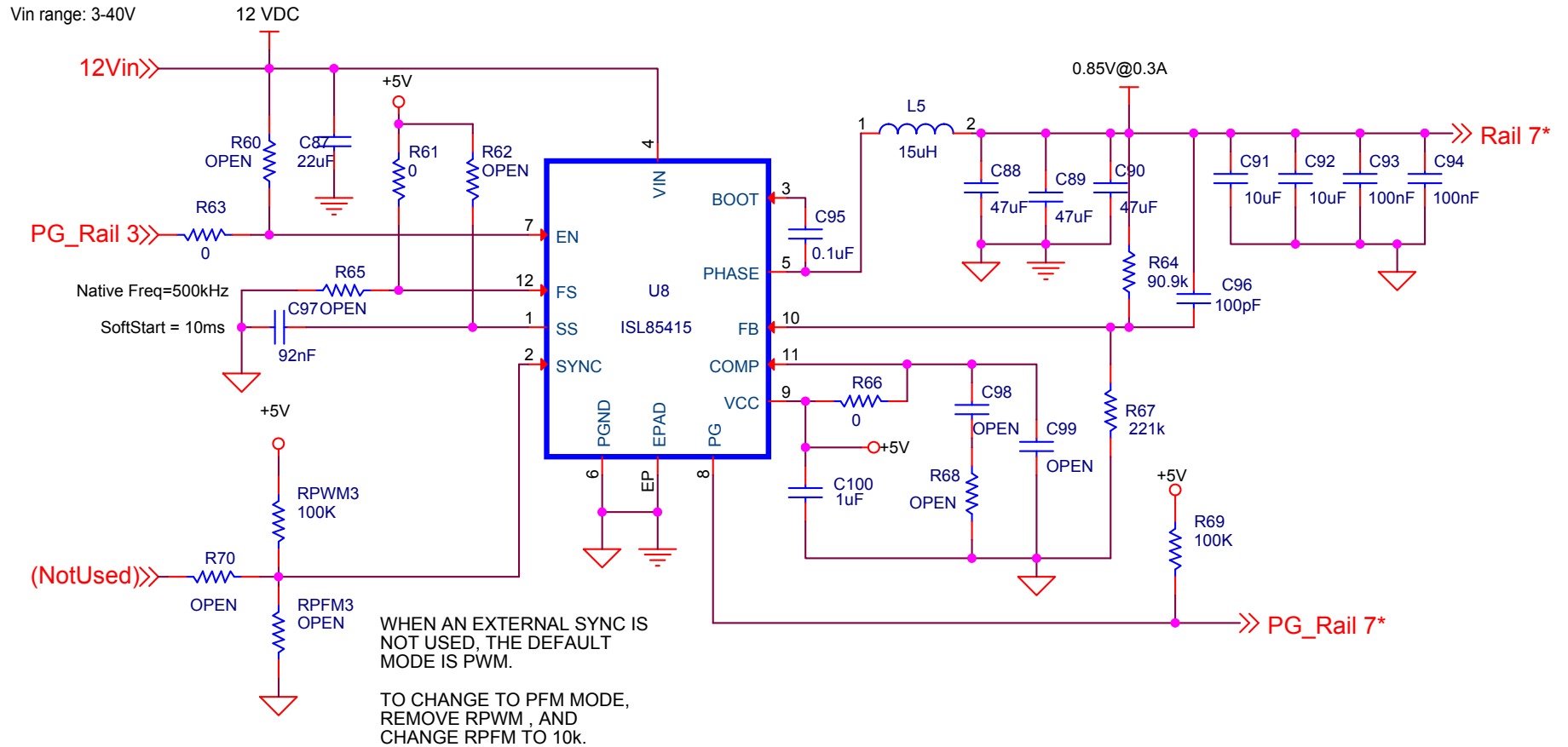
Title		
ISL85415-SINGLE-1		
Size A	Document Number	Rev
Date:	Thursday, March 09, 2017	Sheet 6 of 12

# ISL85415 SINGLE OUTPUT (500mA)



Title		
ISL85415-SINGLE-1		
Size A	Document Number	Rev
Date:	Thursday, March 09, 2017	Sheet 7 of 12

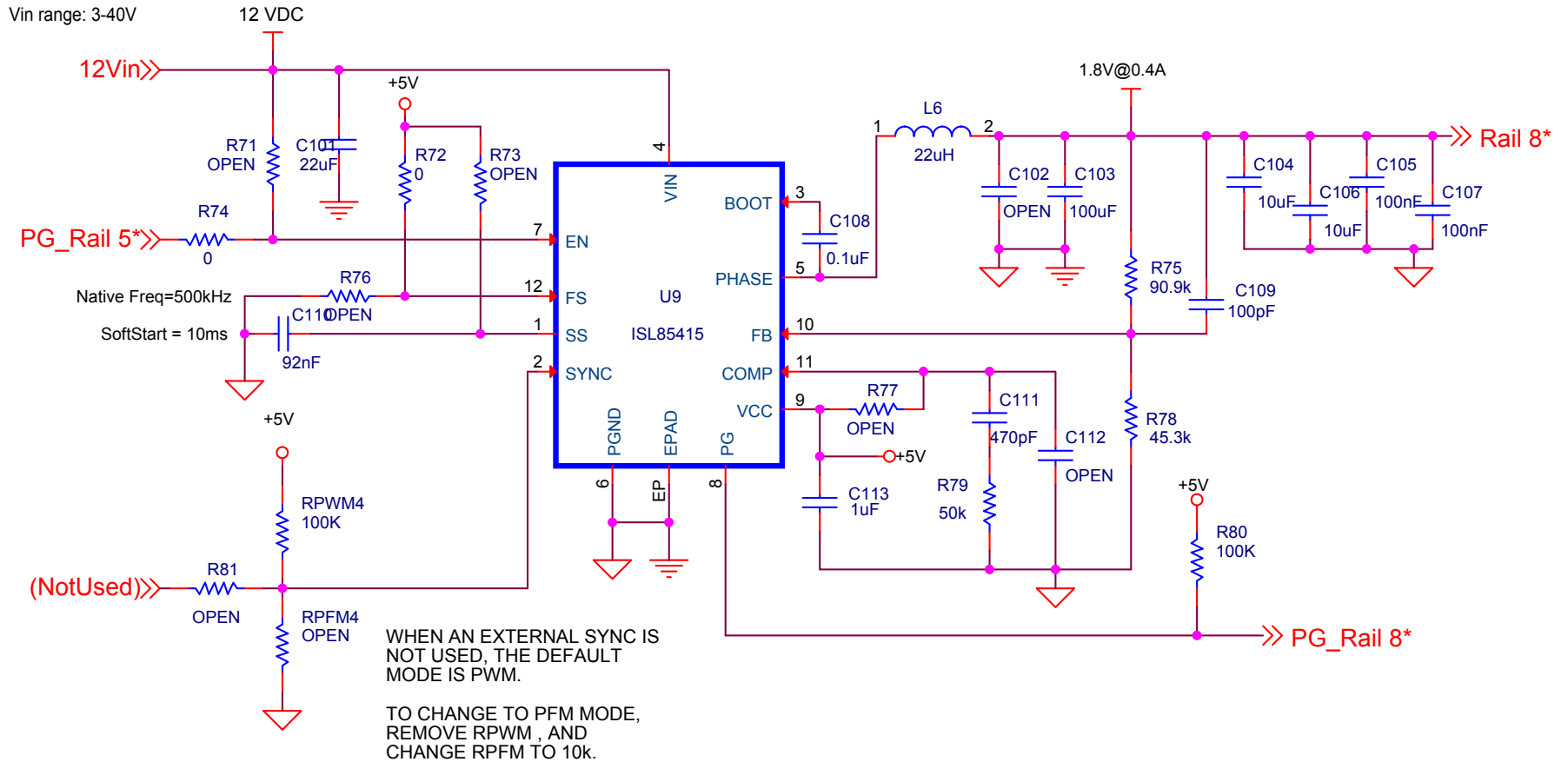
# ISL85415 SINGLE OUTPUT (500mA)



Title		
ISL85415-SINGLE-1		
Size A	Document Number	Rev
Date:	Thursday, March 09, 2017	Sheet 8 of 12

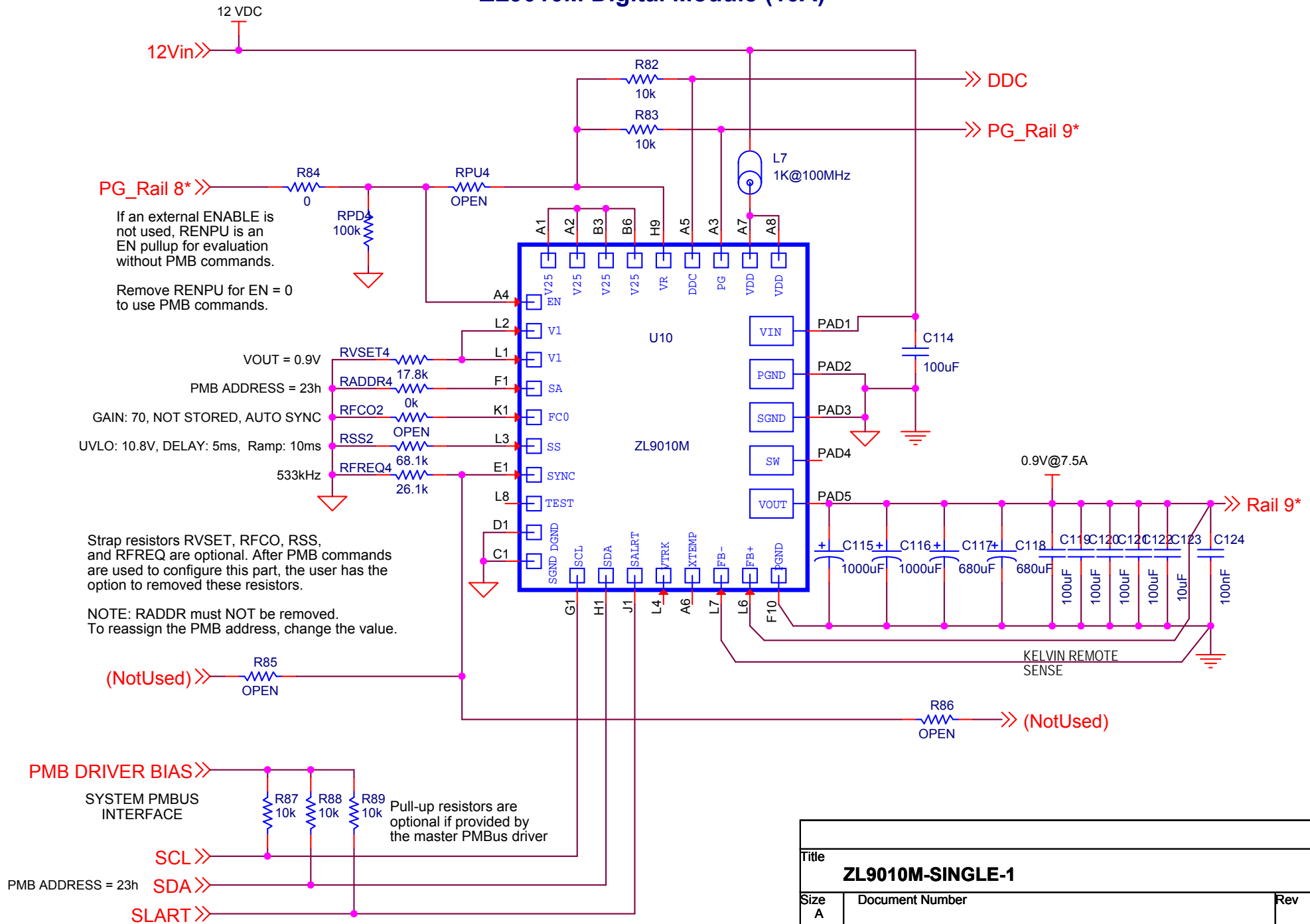


# ISL85415 SINGLE OUTPUT (500mA)



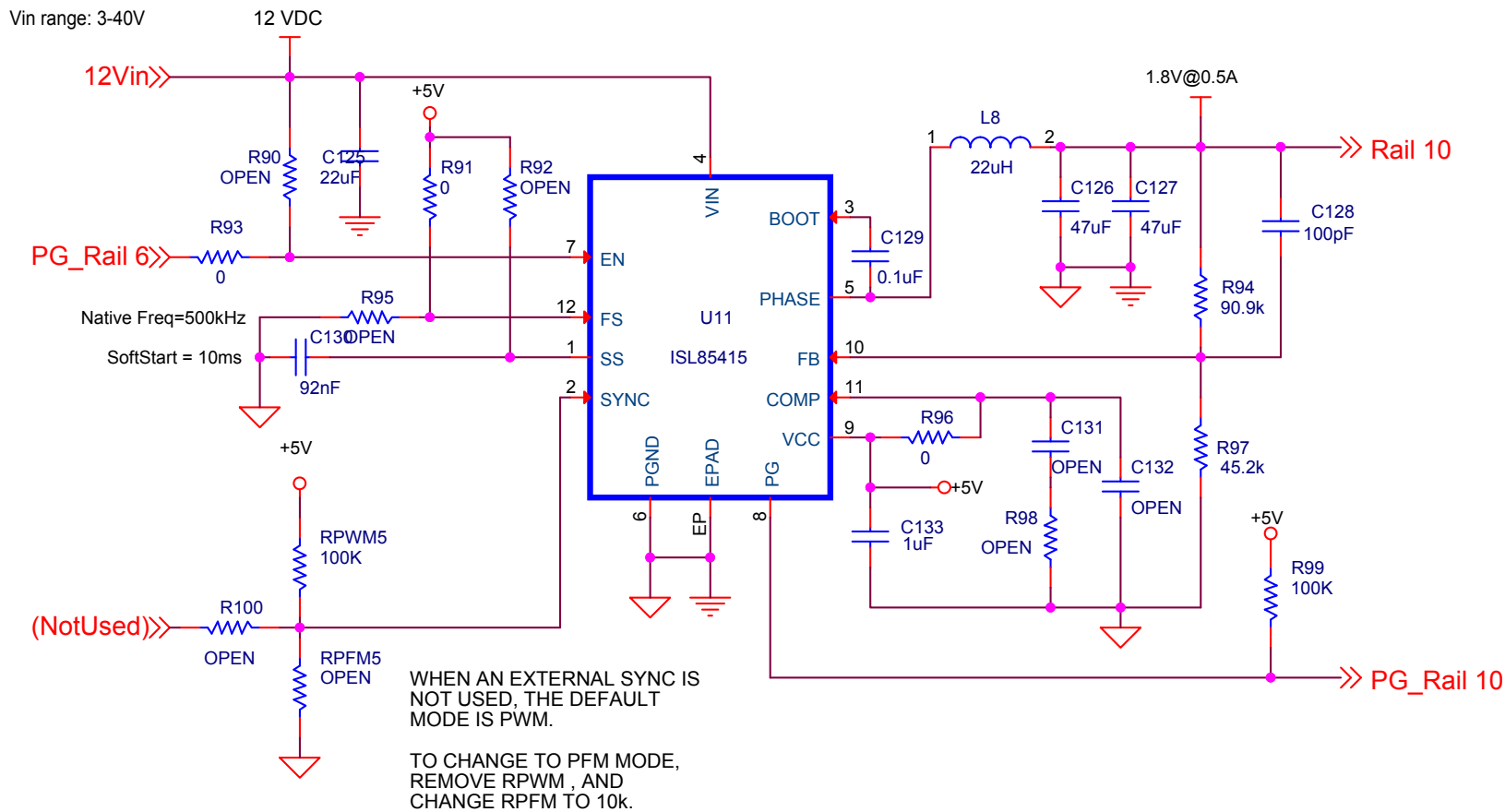
Title		
ISL85415-SINGLE-1		
Size A	Document Number	Rev
Date:	Thursday, March 09, 2017	Sheet 9 of 12

# ZL9010M Digital Module (10A)



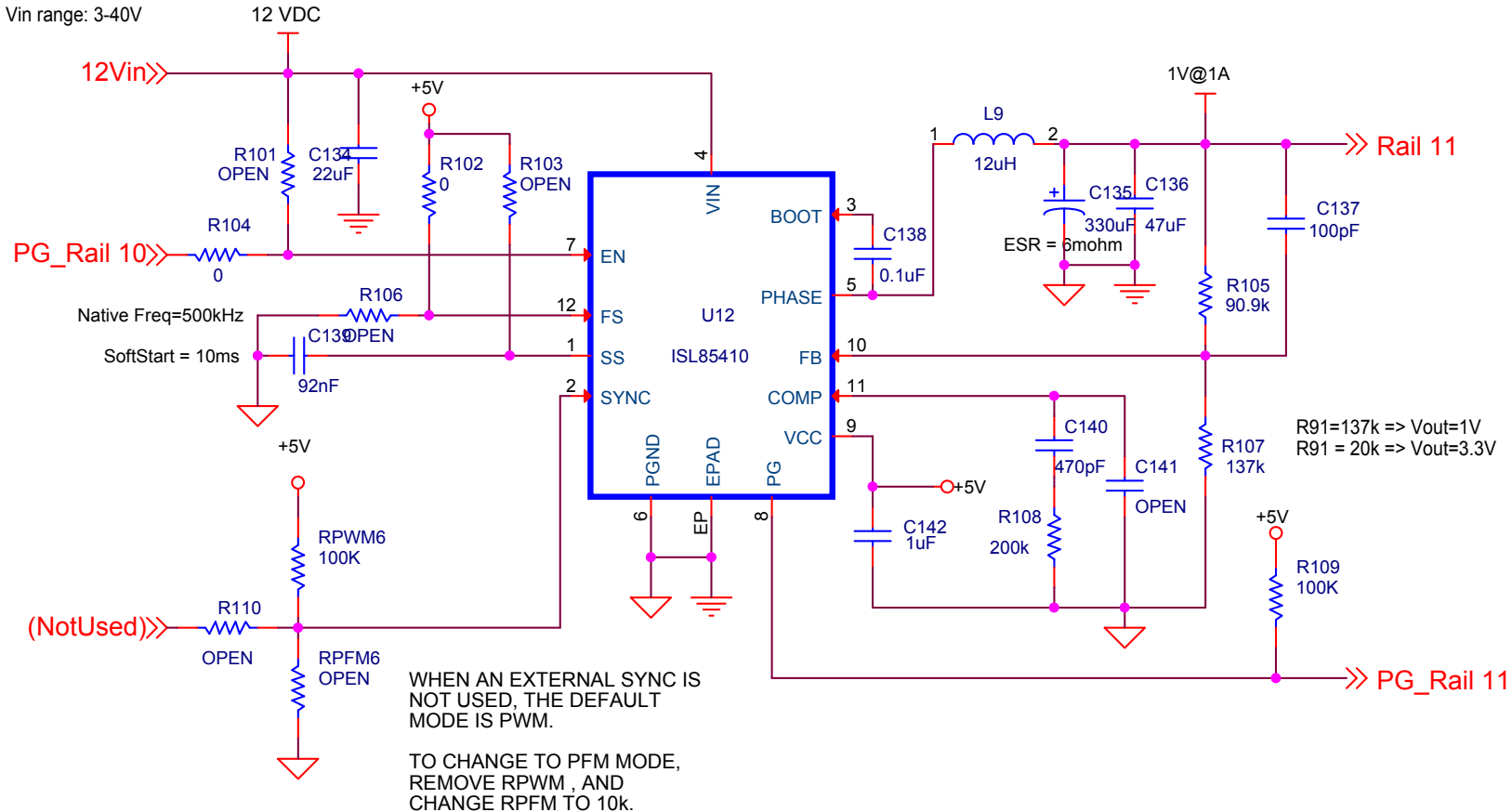
Title		
<b>ZL9010M-SINGLE-1</b>		
Size A	Document Number	Rev
Date:	Sheet 10 of 12	

# ISL85415 SINGLE OUTPUT (500mA)



Title		
ISL85415-SINGLE-1		
Size A	Document Number	Rev
Date:	Thursday, March 09, 2017	Sheet 11 of 12

# ISL85410 SINGLE OUTPUT (1A)



Title		ISL85410-SINGLE-1	
Size A	Document Number	Rev	
Date:	Tuesday, March 14, 2017	Sheet	12 of 12