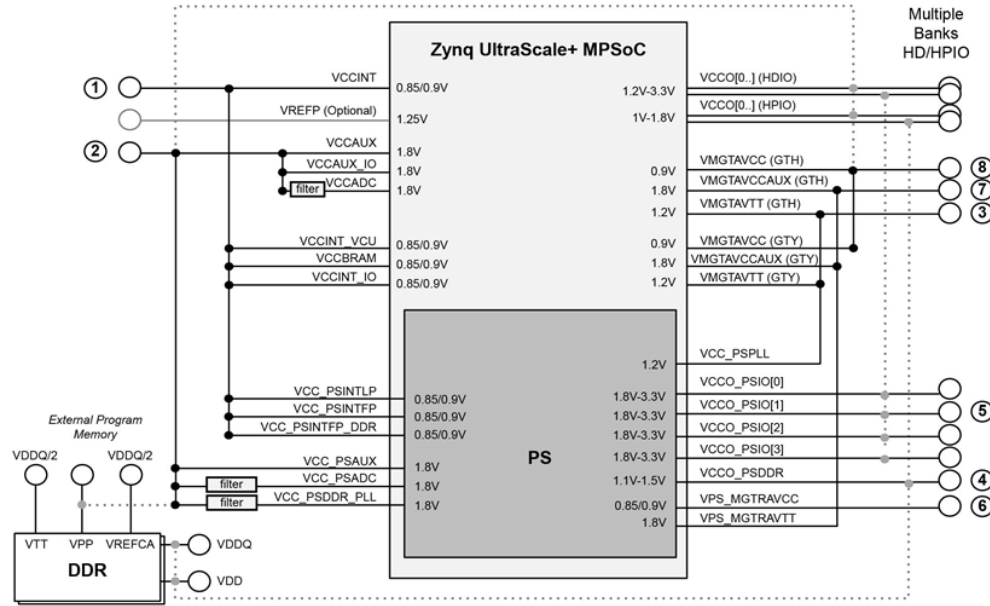
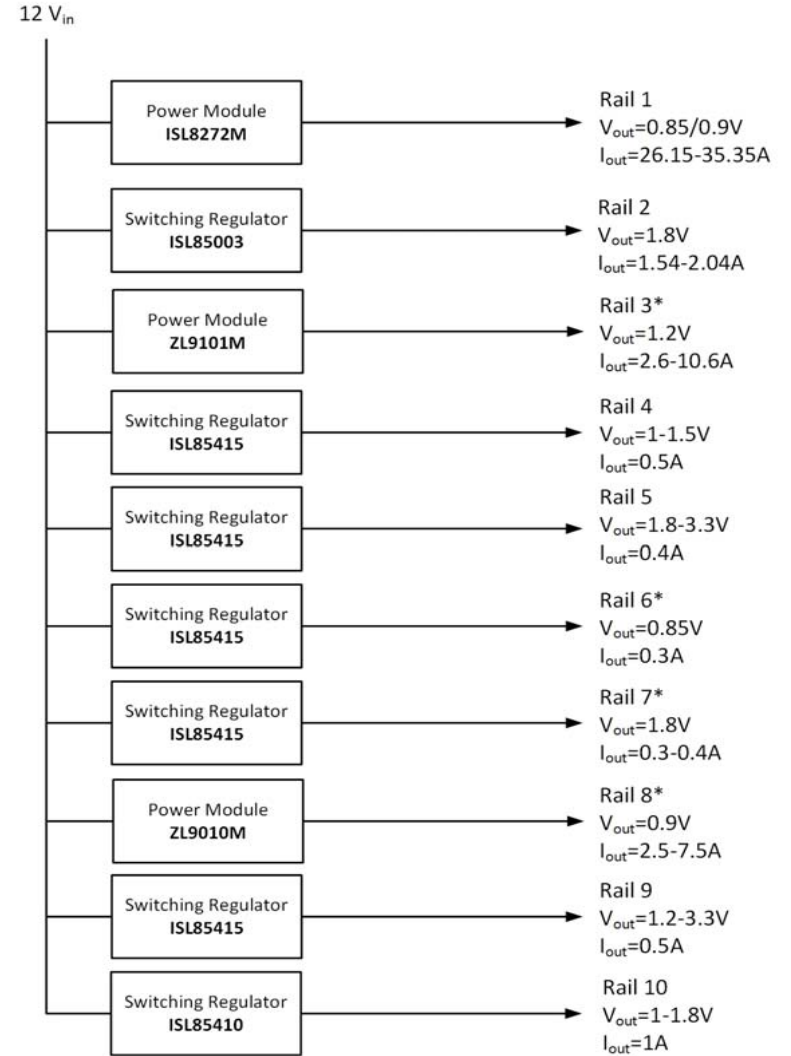


# USECASE 1 #4



© Copyright 2017-2017 Xilinx, Inc.  
All Rights Reserved.

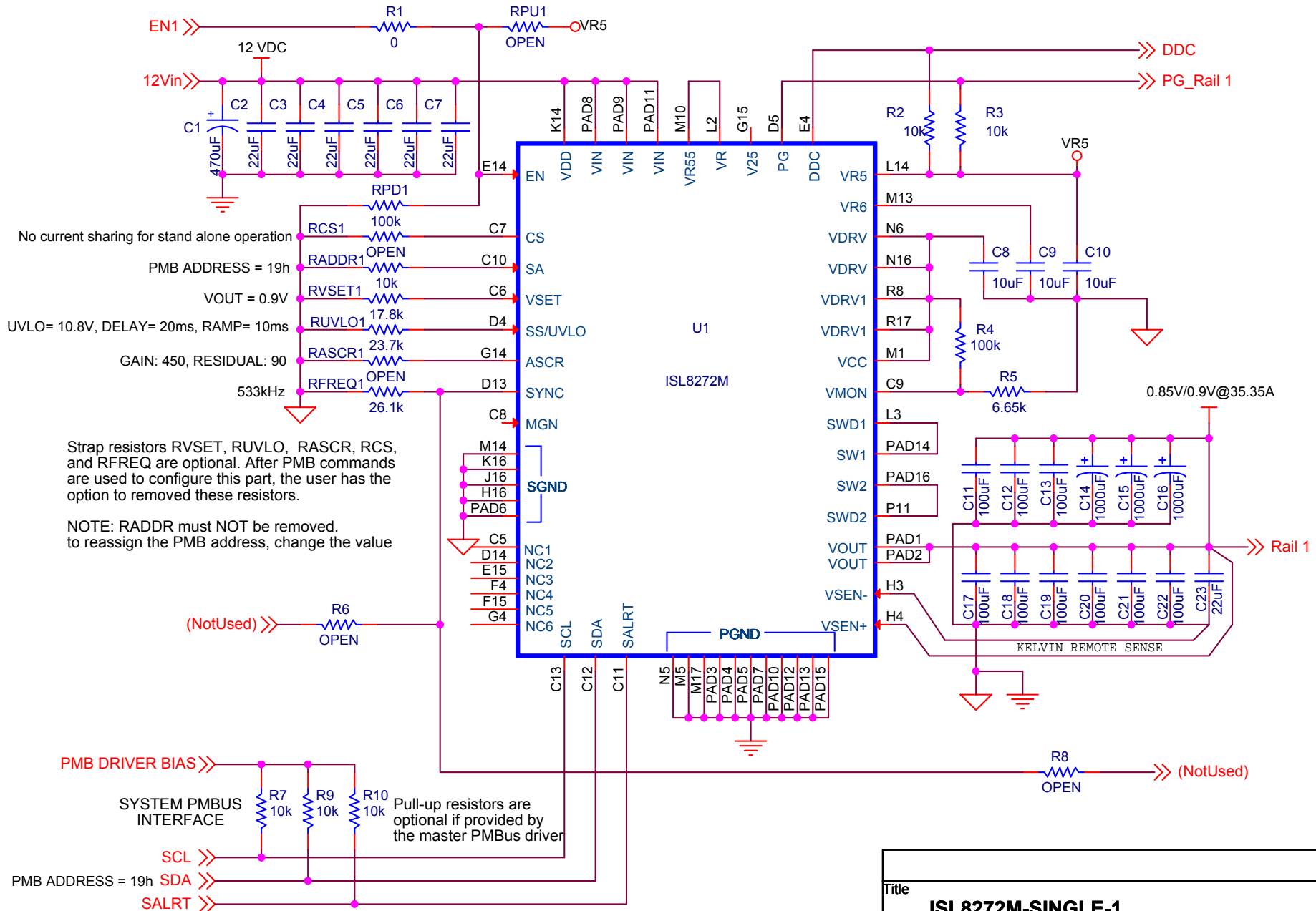
Rail	Voltage	Power Supply Rails
Rail 1	0.85/0.9V	VCCINT, VCCINT_VCU, VCCBRAM, VCCINT_IO, VCC_PSINTLP, VCC_PSINTFP, VCC_PSINTFP_DDR
Rail 2*	1.8V*	VCCAUX, VCCAUX_IO, VCCADC, VCC_PSAUX, VCC_PSDDR_PLL, VCC_PSADC
Rail 3*	1.2V*	VMGTAVTT(GTH), VMGTAVCCAUX(GTY), VCC_PSPLL
Rail 4	1-1.5V	VCCO_PSDDR, DDR_VDD2, DDR_VDDQ
Rail 5	1.8-3.3V	VCCO_PSIQ
Rail 6*	0.85/0.9V	VPS_MGTRAVCC
Rail 7*	1.8V*	VMGTAVCCAUX(GTH), VMGTAVCCAUX(GTY), VPS_MGTRAVTT
Rail 8*	0.9V*	VMGTAVCC(GTH), VMGTAVCCAUX(GTY)
Rail 9	1.2-3.3V	HDIO VCCO
Rail 10	1.0-1.8V	HPIO VCCO



If an external ENABLE is not used, resistor RPU is a pullup for initial evaluation without PMB commands.

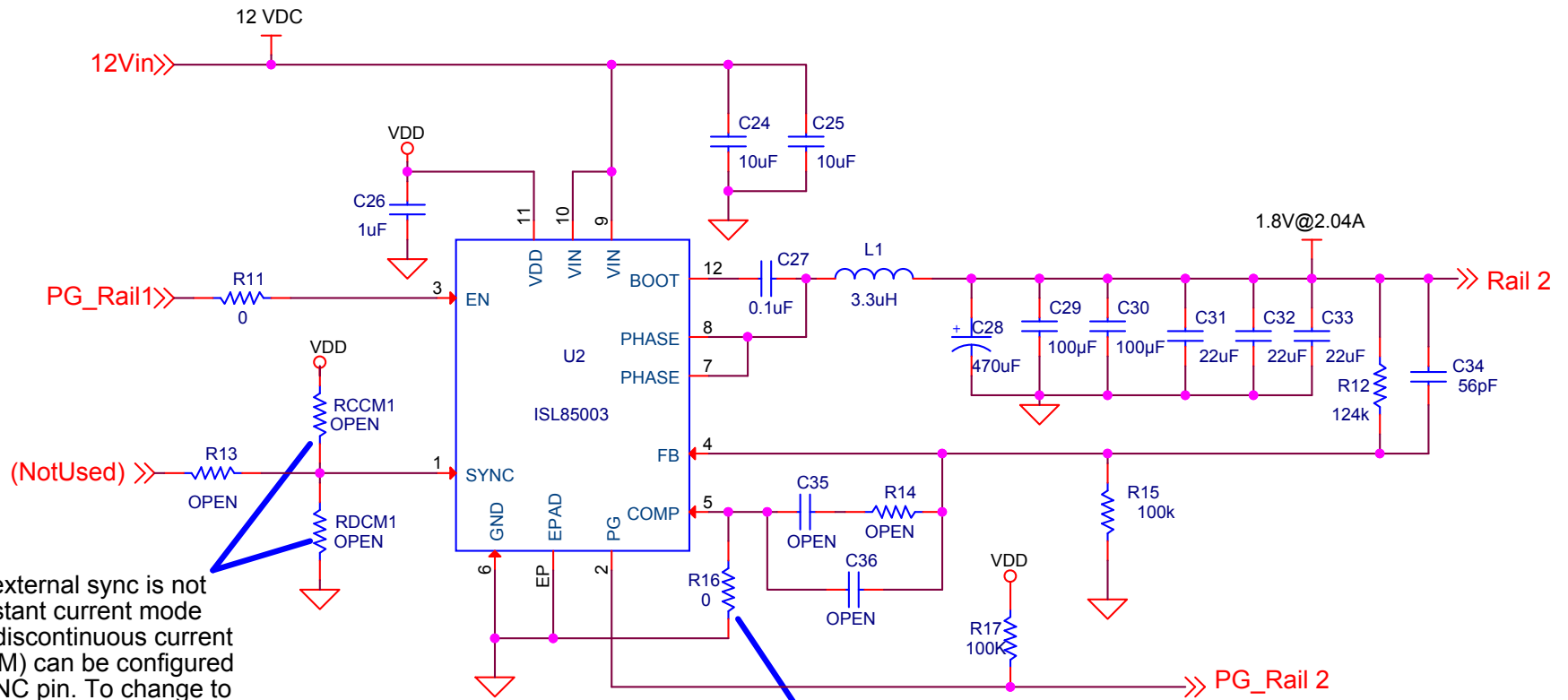
# ISL8272M SINGLE OUTPUT (50A)

Remove RPU1 to make EN low allowing the use of PMB commands.



Title		
ISL8272M-SINGLE-1		
Size A	Document Number	Rev
Date:	Sheet 2 of 11	

# ISL85003 SINGLE OUTPUT (3A)



When an external sync is not used, constant current mode (CCM) or discontinuous current mode (DCM) can be configured on the SYNC pin. To change to DCM mode, remove RCCM, and change RDCM to 0 ohms.

If custom compensation is desired, remove the ground connection on the COMP pin to enable external compensation.

OPEN value components on the COMP pin are place holders if external compensation is used.

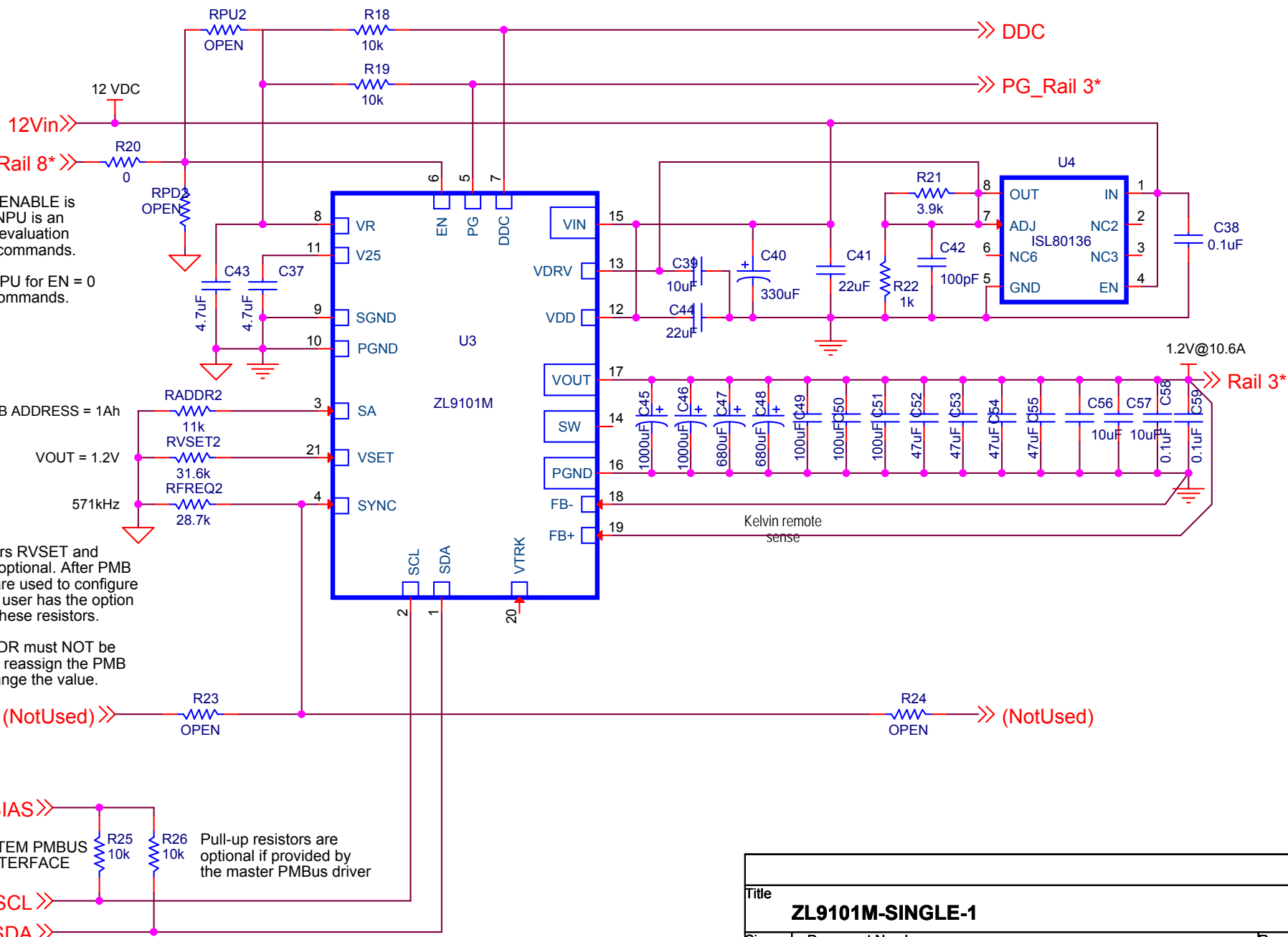
Programmable Soft Start is available in the ISL85003A (without synchronization)

Title		
ISL85003-SINGLE-1		
Size	Document Number	Rev
A	<Doc>	<Rev Co
Date:	Thursday, March 09, 2017	Sheet 3 of 11

# ZL9101M Digital Module (12A)

If an external ENABLE is not used, RENPU is an EN pullup for evaluation without PMB commands.  
Remove RENPU for EN = 0 to use PMB commands.

Strap resistors RVSET and RFREQ are optional. After PMB commands are used to configure this part, the user has the option to removed these resistors.  
NOTE: RADDR must NOT be removed. To reassign the PMB address, change the value.



**PMB DRIVER BIAS** >>>

SYSTEM PMBUS INTERFACE  
R25 10k R26 10k  
Pull-up resistors are optional if provided by the master PMBus driver

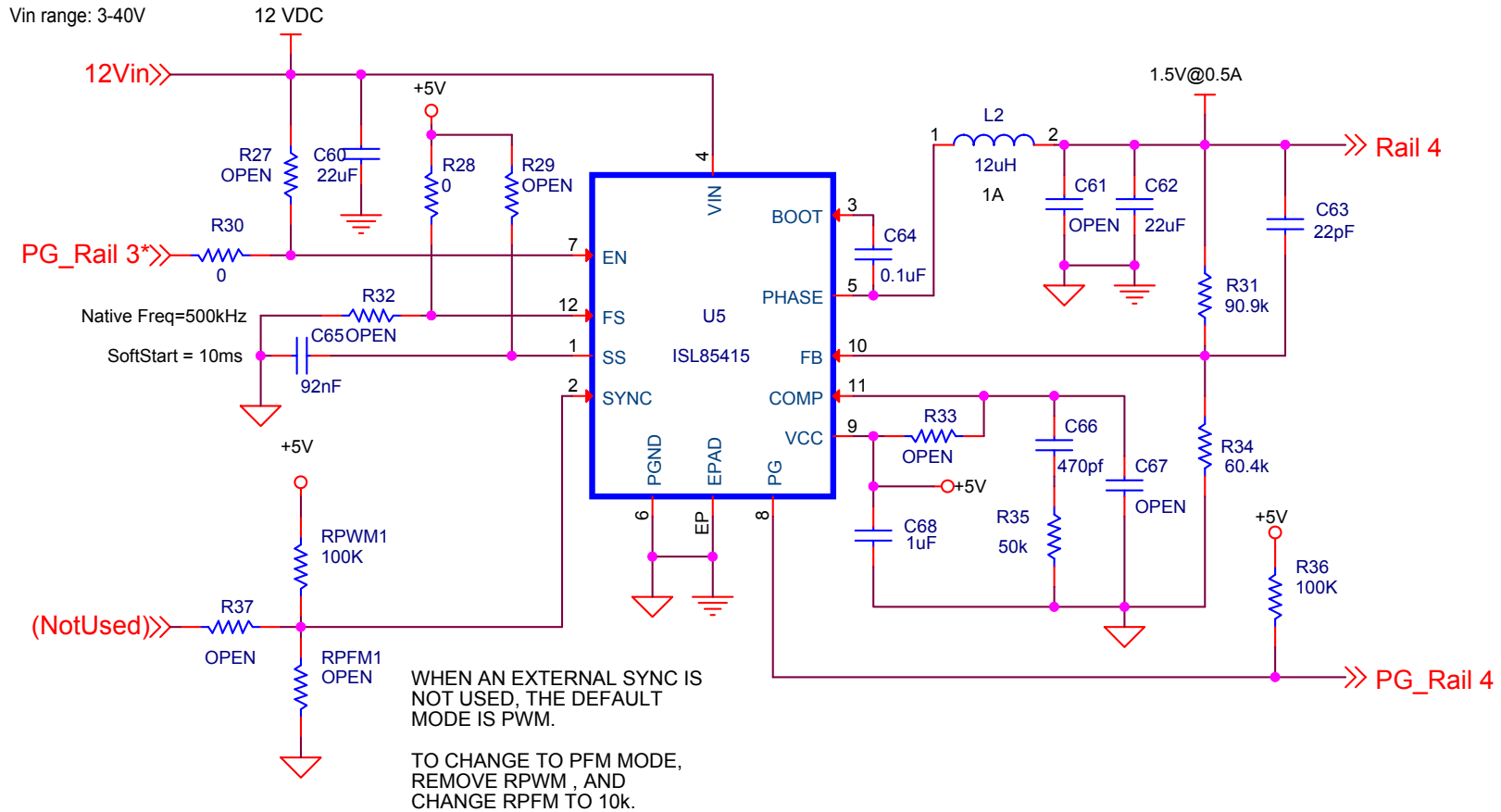
SCL >>>  
SDA >>>

PMB ADDRESS = 1Ah

Hardware SALRT not available in the ZL9101M

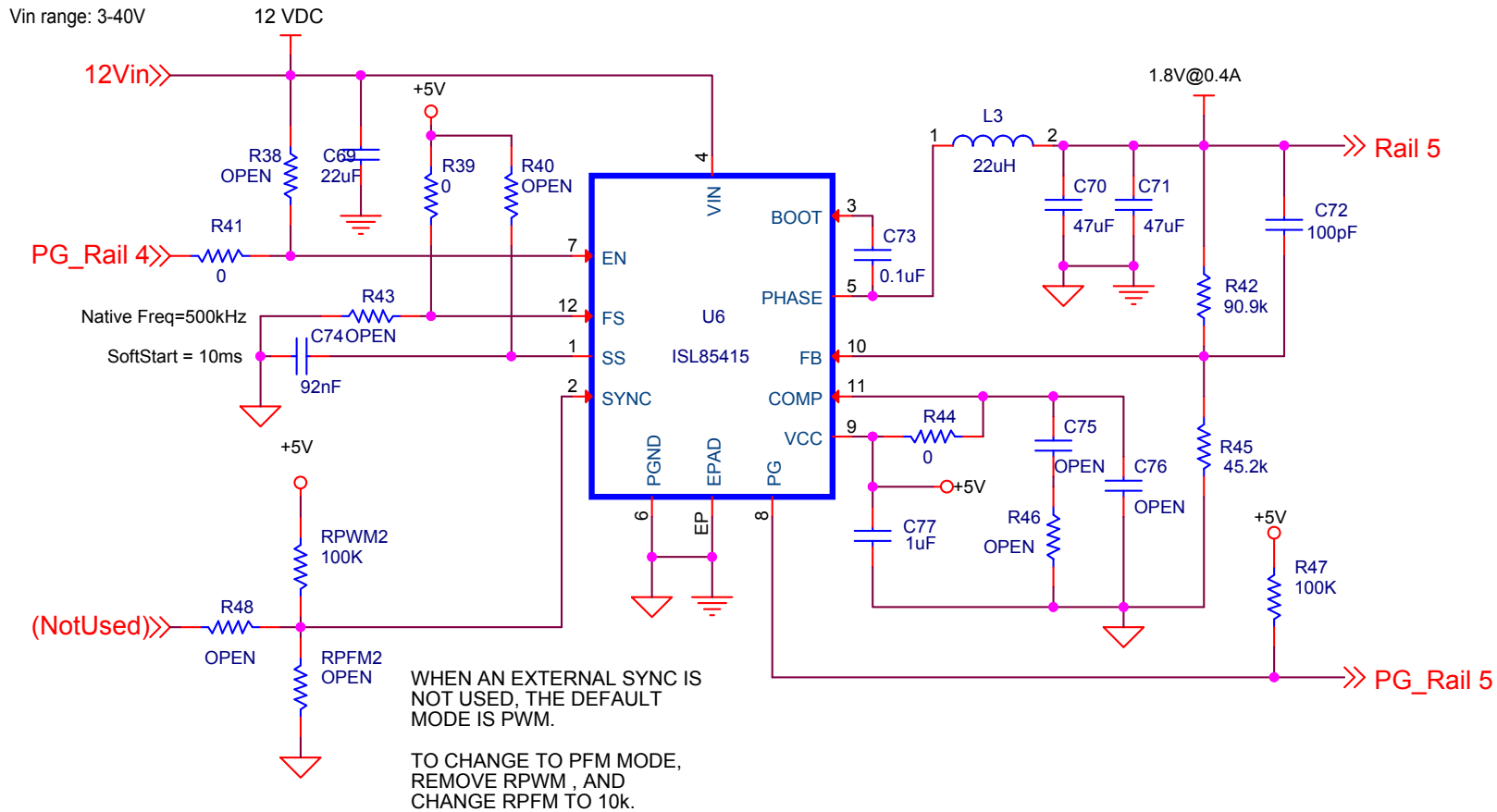
Title		
<b>ZL9101M-SINGLE-1</b>		
Size A	Document Number	Rev
Date:	Sheet 4	of 11

# ISL85415 SINGLE OUTPUT (500mA)



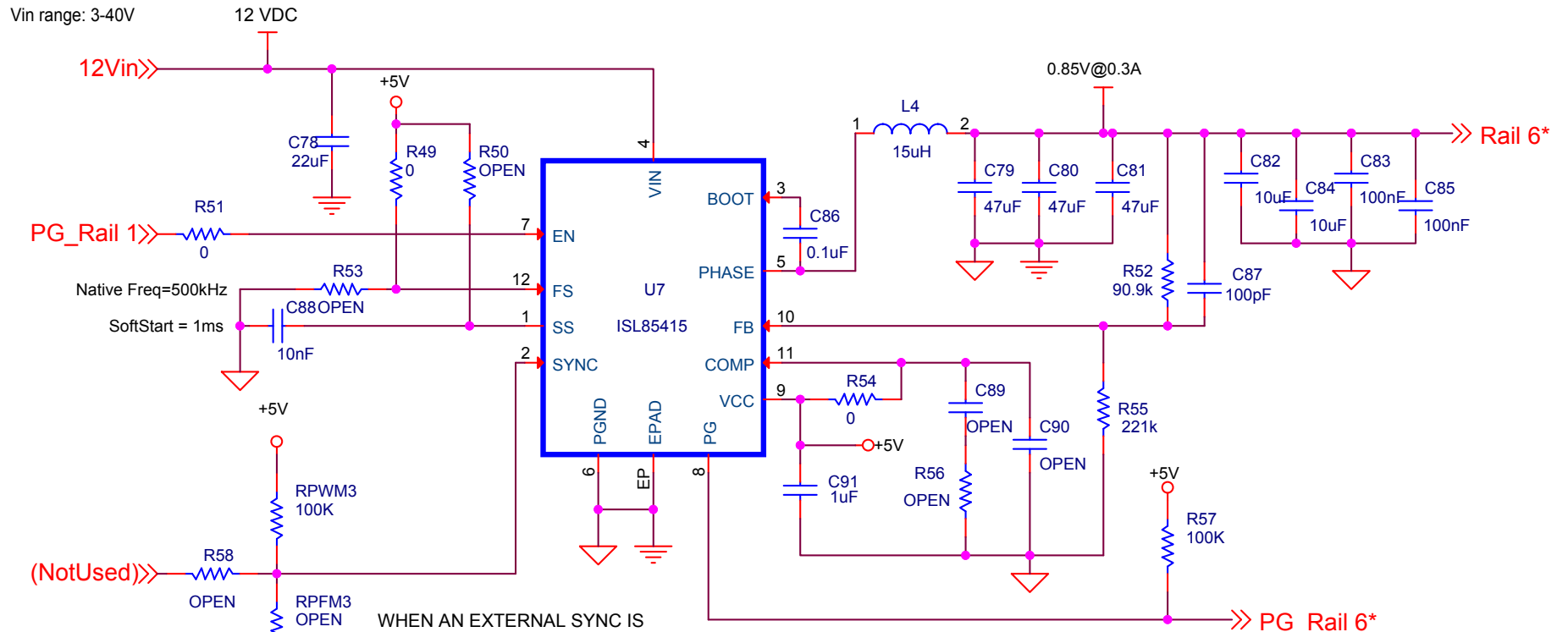
Title		
ISL85415-SINGLE-1		
Size A	Document Number	Rev
Date:	Thursday, March 09, 2017	Sheet 5 of 11

# ISL85415 SINGLE OUTPUT (500mA)



Title		
ISL85415-SINGLE-1		
Size A	Document Number	Rev
Date:	Thursday, March 09, 2017	Sheet 6 of 11

# ISL85415 SINGLE OUTPUT (500mA)

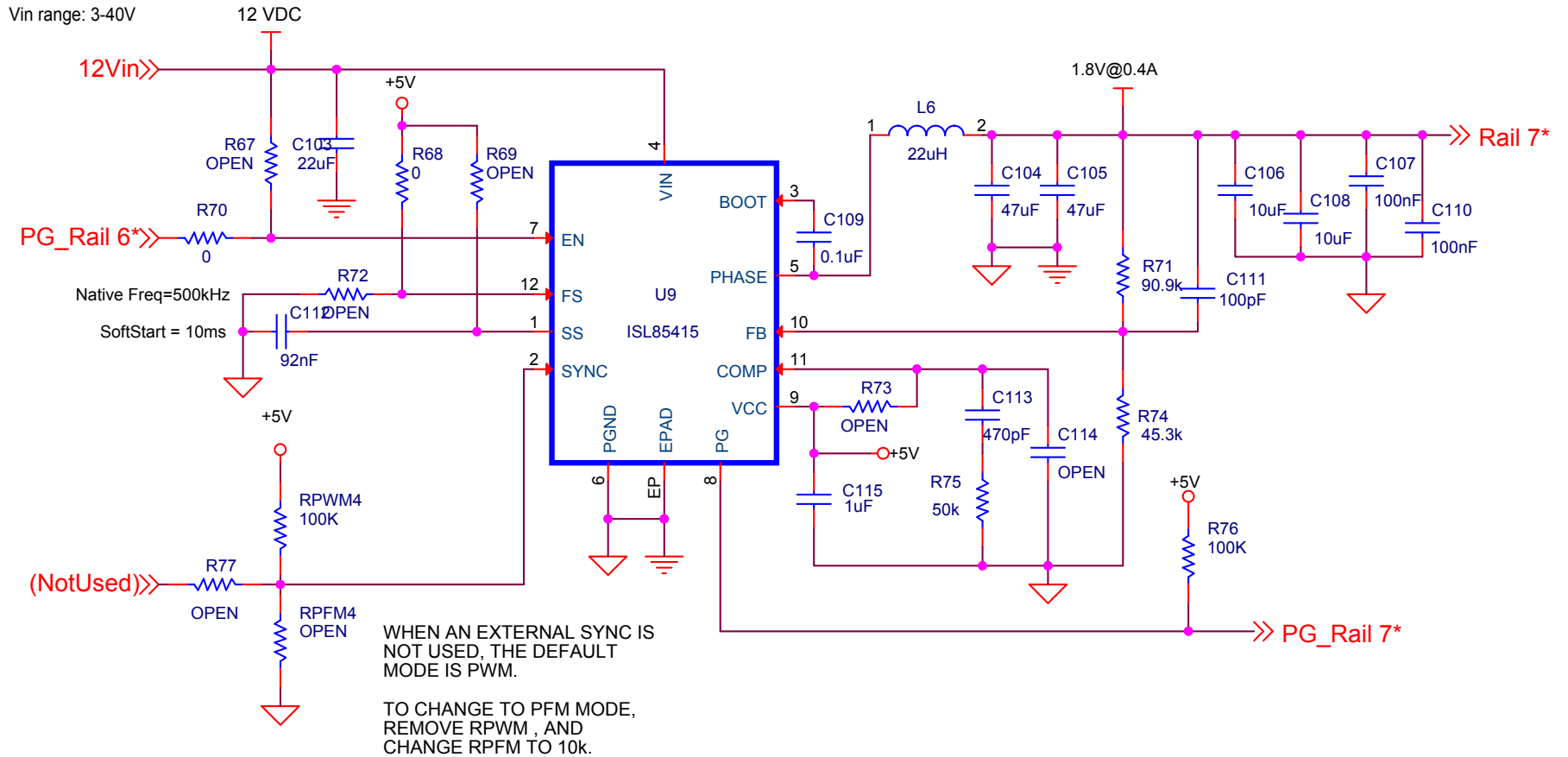


WHEN AN EXTERNAL SYNC IS NOT USED, THE DEFAULT MODE IS PWM.

TO CHANGE TO PFM MODE, REMOVE RPWM, AND CHANGE RPFM TO 10k.

Title	
ISL85415-SINGLE-1	
Size A	Document Number
Date: Thursday, March 09, 2017	Sheet 7 of 11

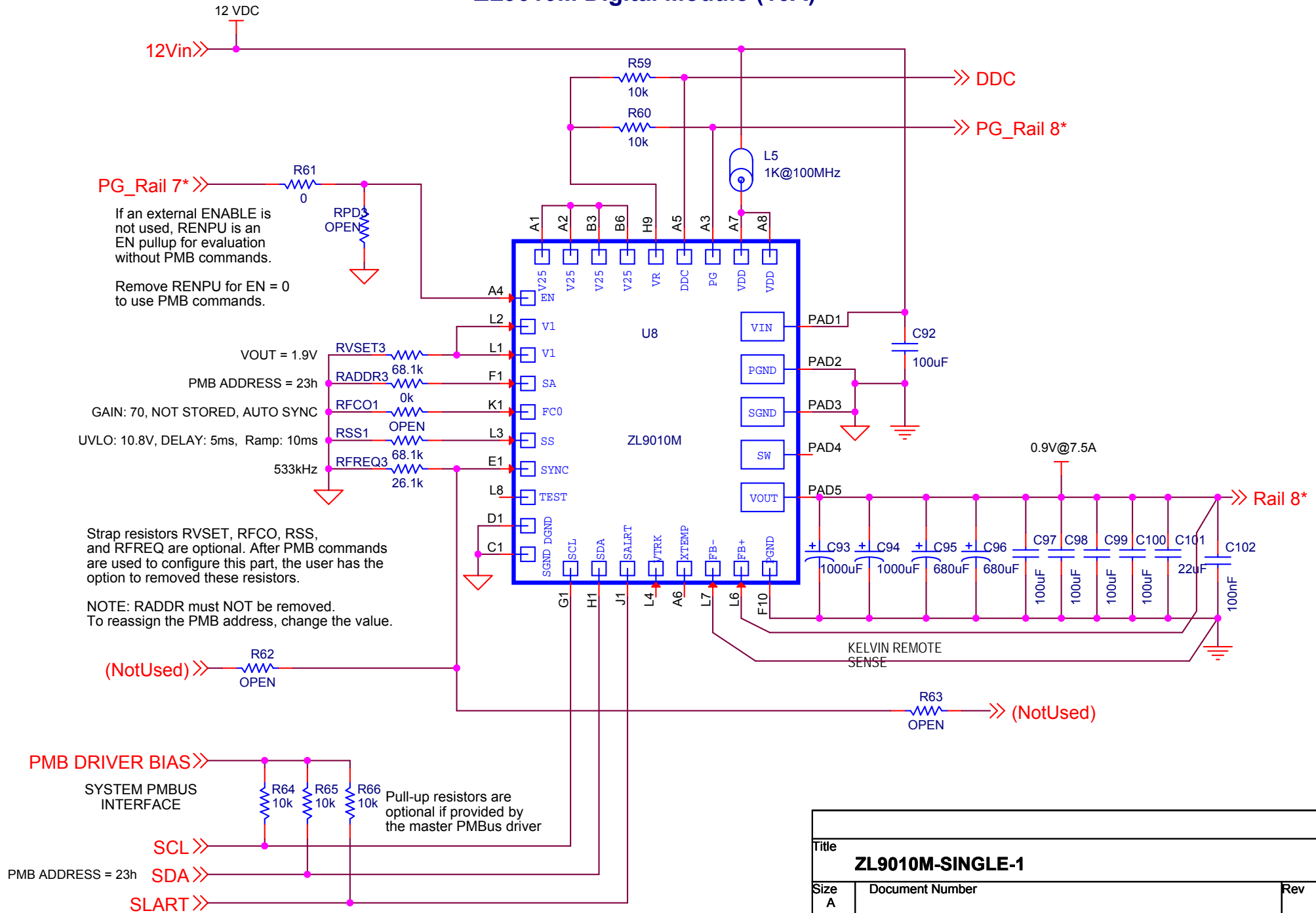
# ISL85415 SINGLE OUTPUT (500mA)



Title		
ISL85415-SINGLE-1		
Size A	Document Number	Rev
Date:	Tuesday, March 14, 2017	Sheet 8 of 11

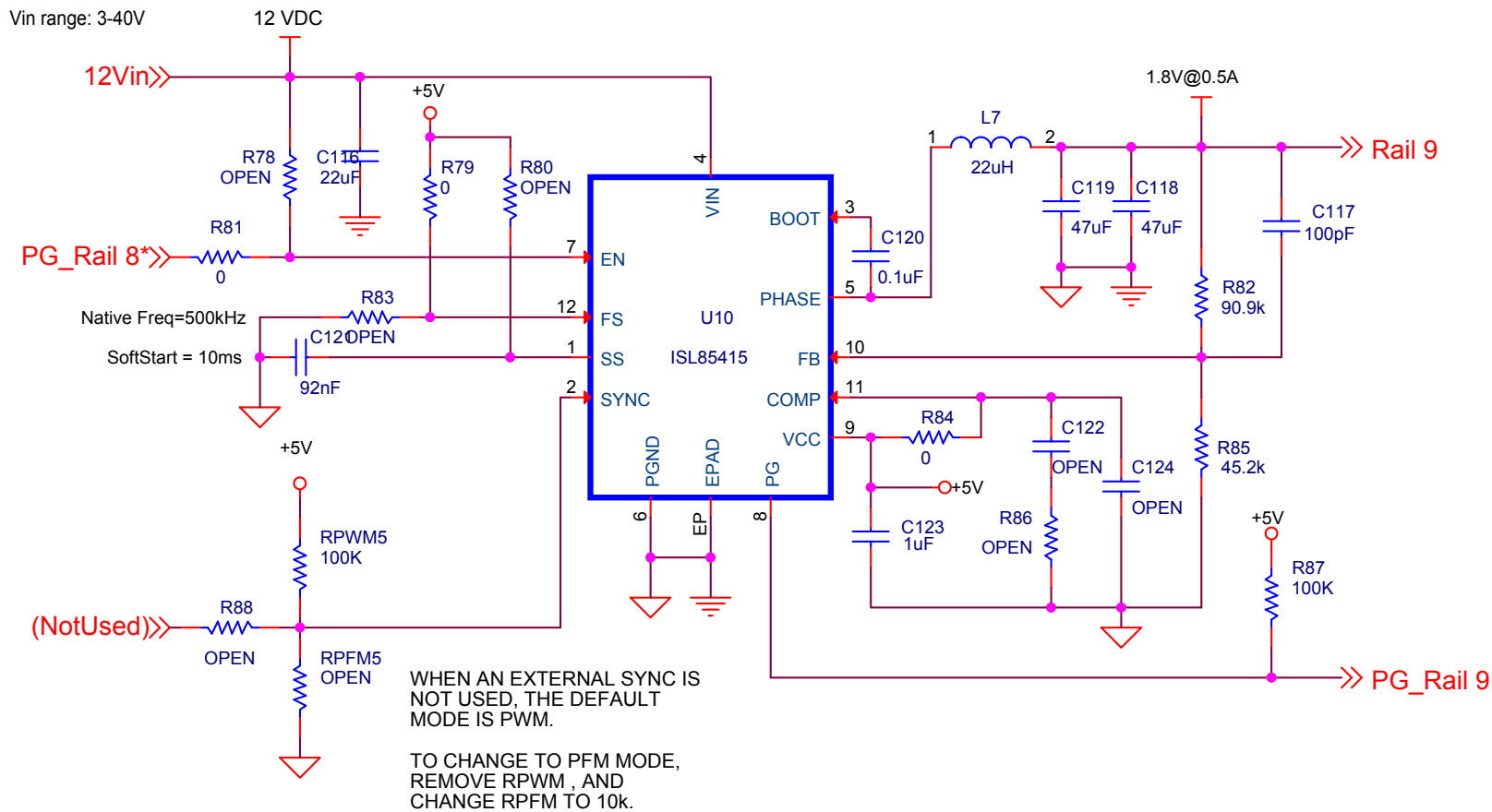


# ZL9010M Digital Module (10A)



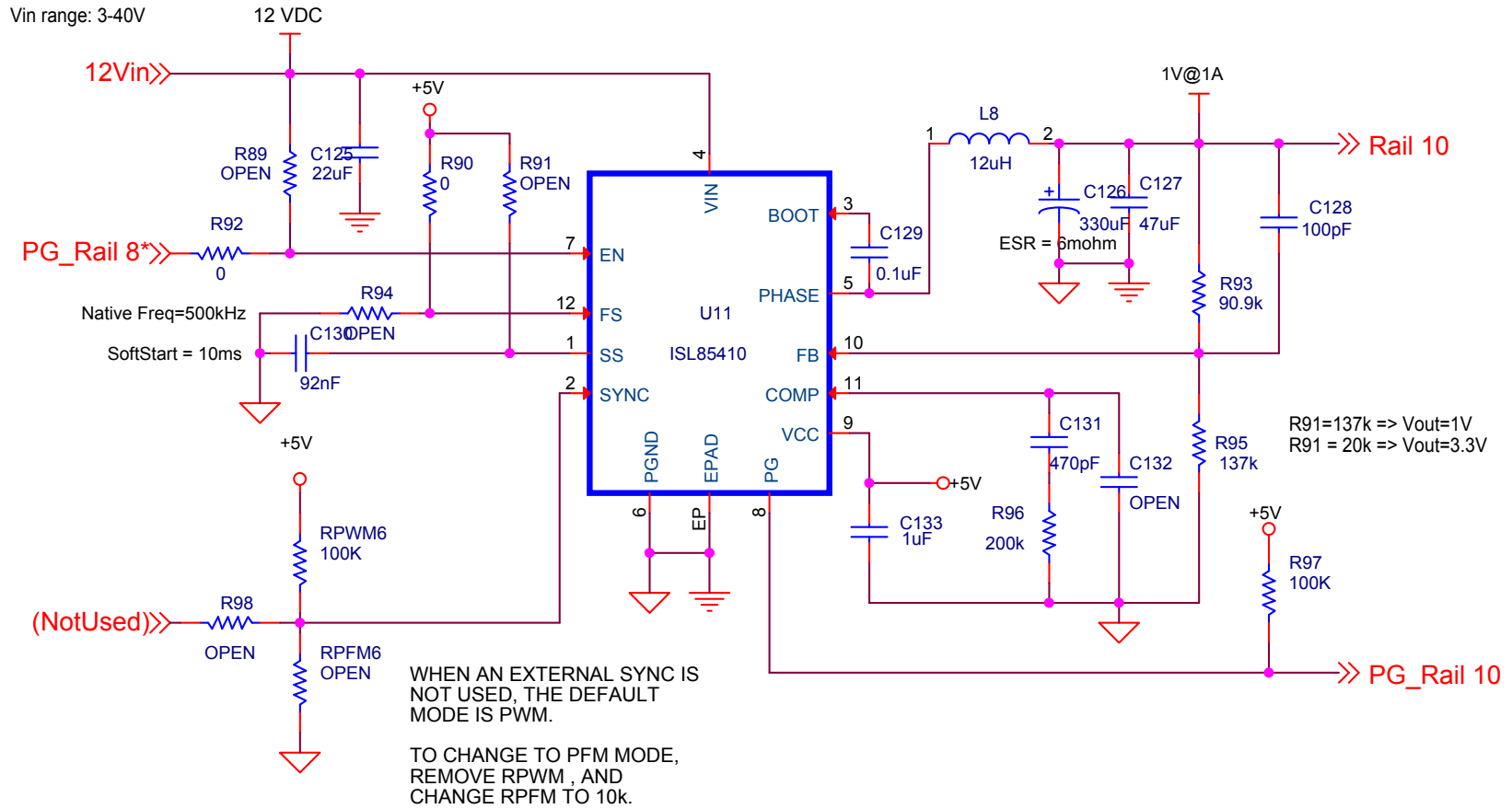
Title		
<b>ZL9010M-SINGLE-1</b>		
Size	Document Number	Rev
A		
Date:	Sheet	9 of 11

# ISL85415 SINGLE OUTPUT (500mA)



Title		
ISL85415-SINGLE-1		
Size A	Document Number	Rev
Date:	Thursday, March 09, 2017	Sheet 10 of 11

# ISL85410 SINGLE OUTPUT (1A)



Title		
ISL85410-SINGLE-1		
Size A	Document Number	Rev
Date:	Thursday, March 09, 2017	Sheet 11 of 11