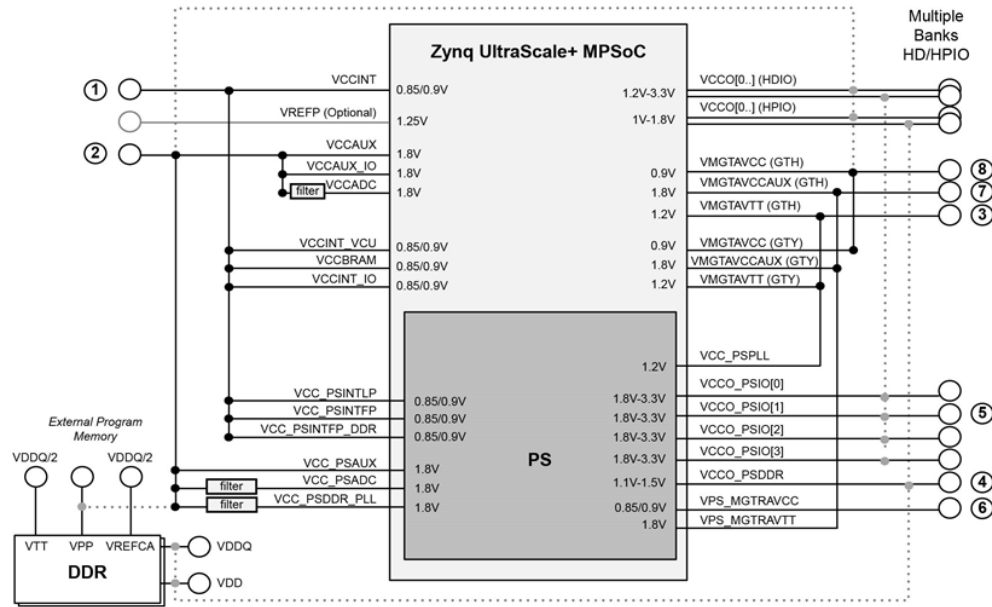
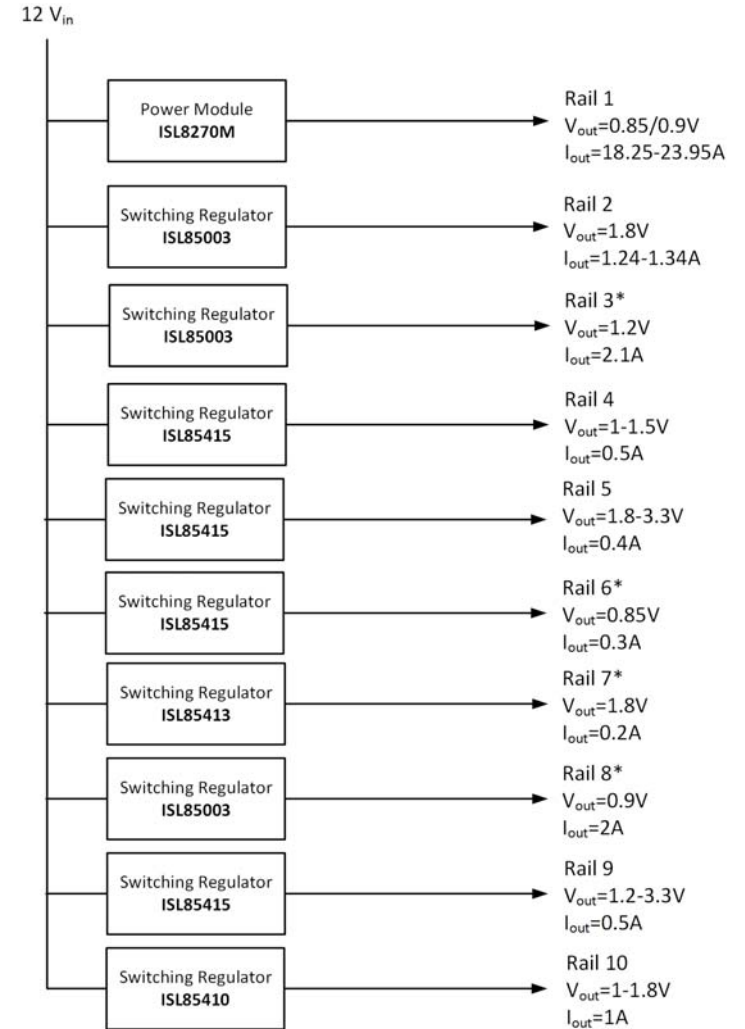


# USECASE 1 #3



© Copyright 2017-2017 Xilinx, Inc.  
All Rights Reserved.

Rail	Voltage	Power Supply Rails
Rail 1	0.85/0.9V	VCCINT, VCCINT_VCU, VCCBRAM, VCCINT_IO, VCC_PSINTLP, VCC_PSINTFP, VCC_PSINTFP_DDR
Rail 2*	1.8V*	VCCAUX, VCCAUX_IO, VCCADC, VCC_PSAUX, VCC_PSDDR_PLL, VCC_PSADC
Rail 3*	1.2V*	VMGTAVTT(GTH), VMGTAVCCAUX(GTY), VCC_PSPLL
Rail 4	1-1.5V	VCCO_PSDDR, DDR_VDD2, DDR_VDDQ
Rail 5	1.8-3.3V	VCCO_PSI0
Rail 6*	0.85/0.9V	VPS_MGTRAVCC
Rail 7*	1.8V*	VMGTAVCCAUX(GTH), VMGTAVCCAUX(GTY), VPS_MGTRAVTT
Rail 8*	0.9V*	VMGTAVCC(GTH), VMGTAVCCAUX(GTY)
Rail 9	1.2-3.3V	HDIO VCCO
Rail 10	1.0-1.8V	HPIO VCCO



**intersil**™

Title: **ZYNQ US+ MPSoC Power Rails**

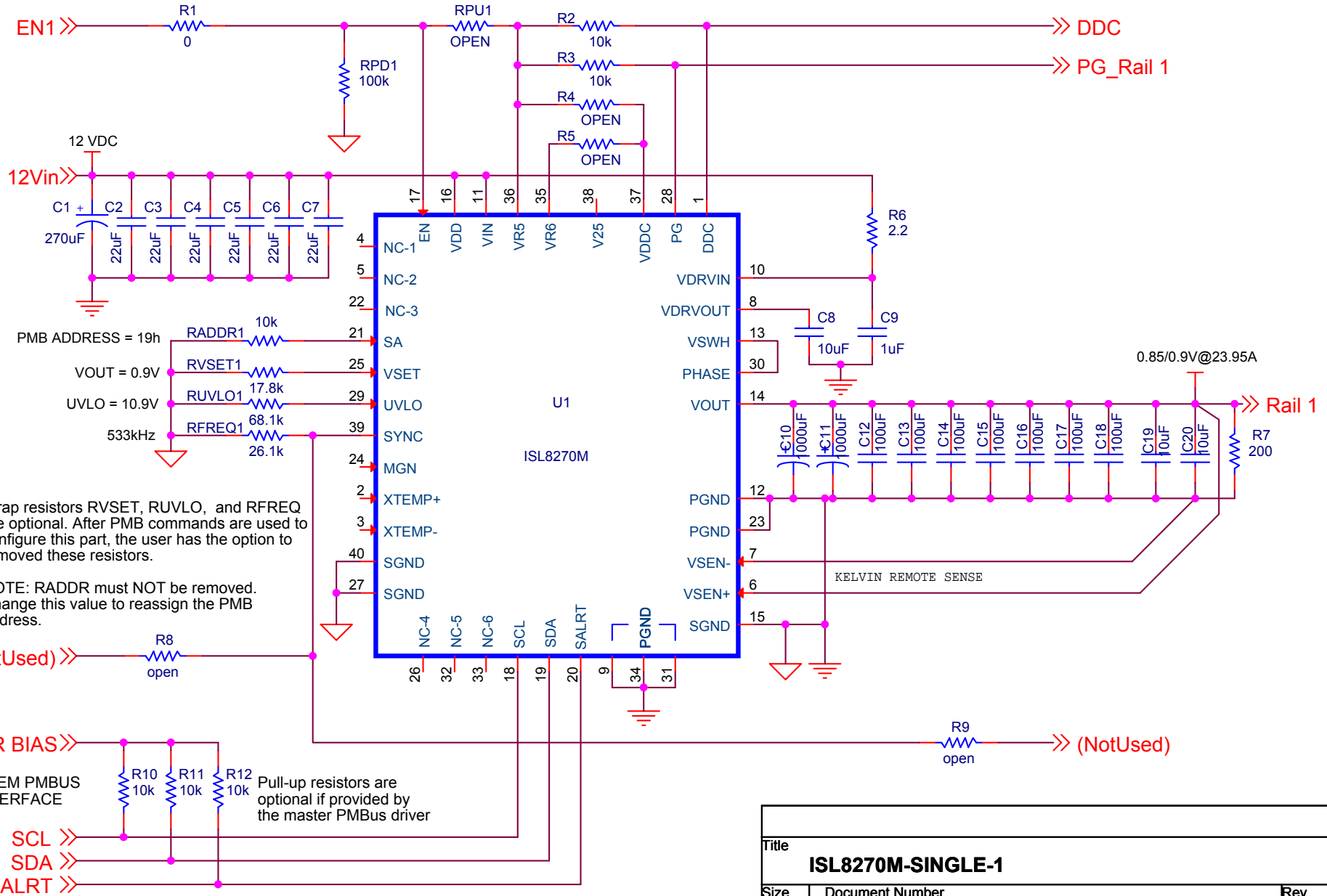
Size B Document Number <Doc> Rev A

Date: **Thursday, March 09, 2017** Sheet 1 of 11

# ISL8270M SINGLE OUTPUT (25A)

If an external ENABLE is not used, resistor RPU is a Enable pullup for initial evaluation without PMB commands.

Remove RPU and install RPD = 100k to make EN low to allow the use of PMB commands.



Strap resistors RVSET, RUVLO, and RFREQ are optional. After PMB commands are used to configure this part, the user has the option to removed these resistors.

NOTE: RADDR must NOT be removed. Change this value to reassign the PMB address.

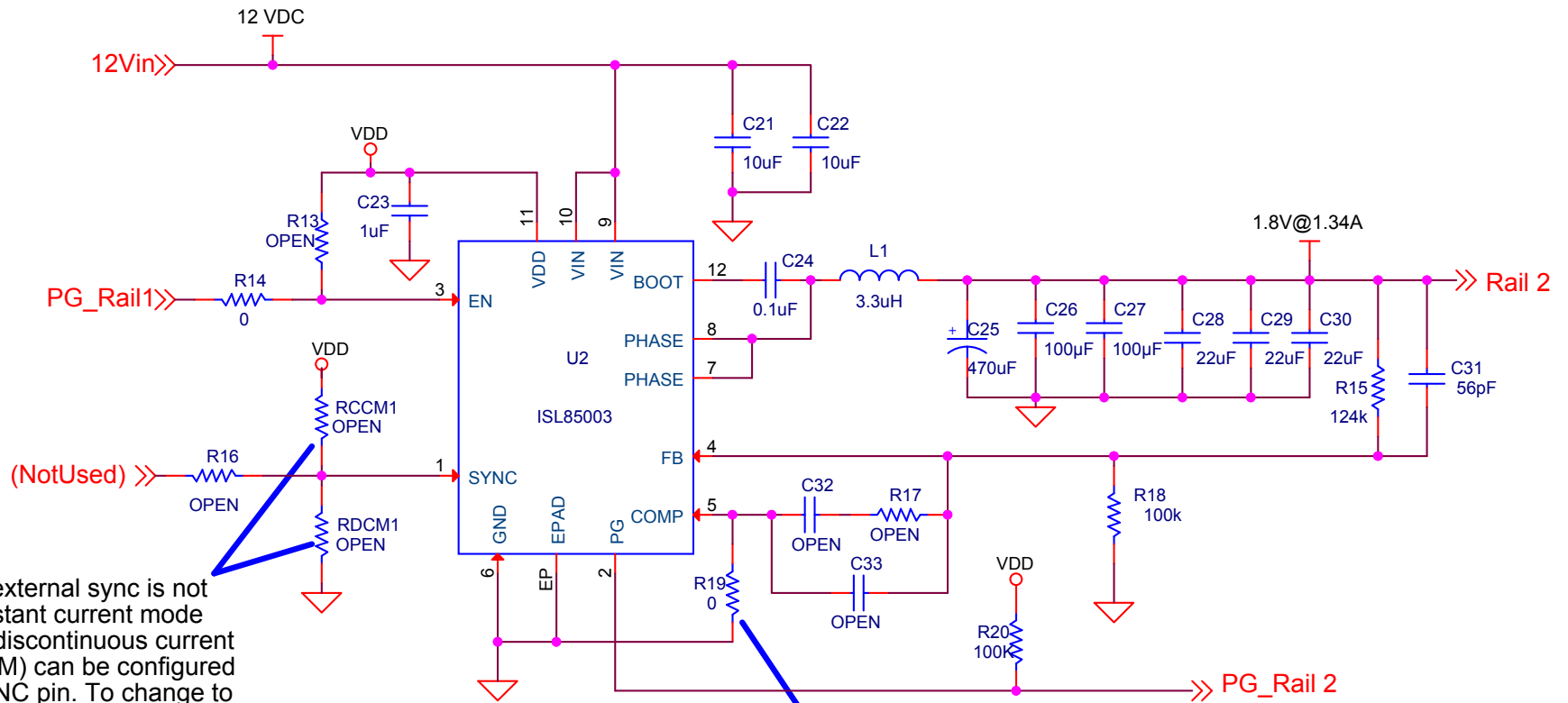
SYSTEM PMBUS INTERFACE

PMB ADDRESS = 19h  
 SCL >>>  
 SDA >>>  
 SALRT >>>

Pull-up resistors are optional if provided by the master PMBus driver

Title		
<b>ISL8270M-SINGLE-1</b>		
Size A	Document Number	Rev
Date:	Sheet 2	of 11

# ISL85003 SINGLE OUTPUT (3A)



When an external sync is not used, constant current mode (CCM) or discontinuous current mode (DCM) can be configured on the SYNC pin. To change to DCM mode, remove RCCM, and change RDCM to 0 ohms.

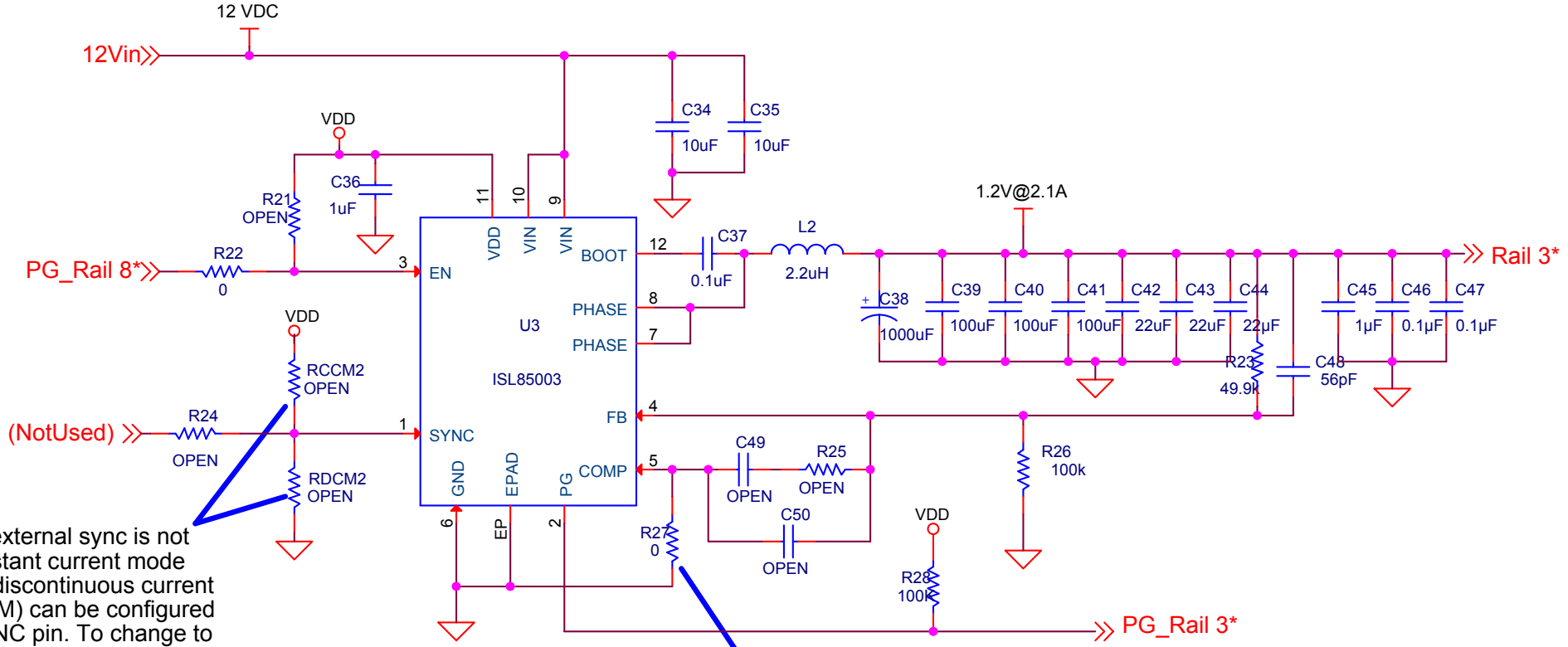
If custom compensation is desired, remove the ground connection on the COMP pin to enable external compensation.

OPEN value components on the COMP pin are place holders if external compensation is used.

Programmable Soft Start is available in the ISL85003A (without synchronization)

Title		
ISL85003-SINGLE-1		
Size	Document Number	Rev
A	<Doc>	<Rev Co
Date:	Thursday, March 09, 2017	Sheet 3 of 11

# ISL85003 SINGLE OUTPUT (3A)



When an external sync is not used, constant current mode (CCM) or discontinuous current mode (DCM) can be configured on the SYNC pin. To change to DCM mode, remove R24, and change RDCM to 0 ohms.

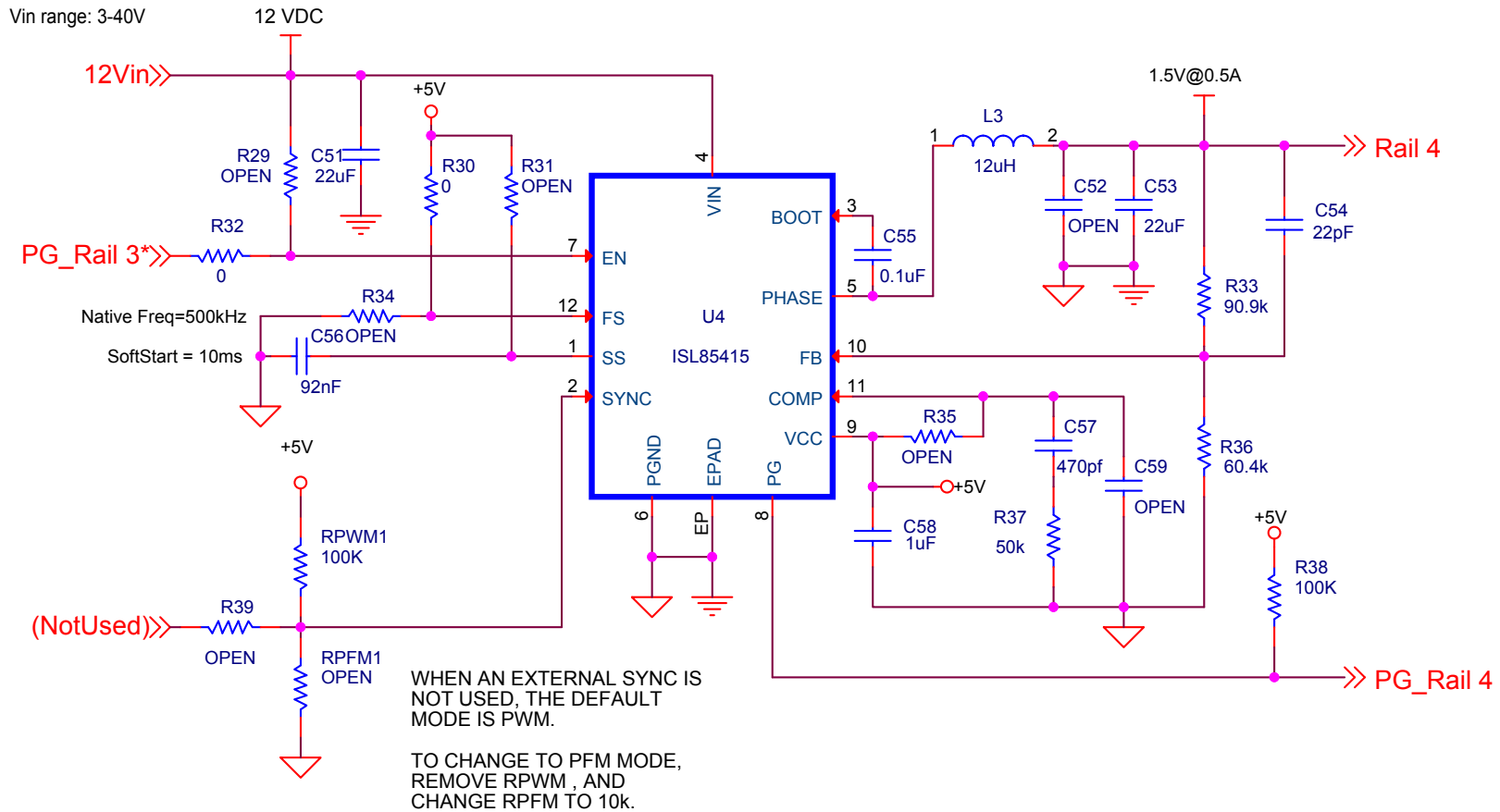
If custom compensation is desired, remove the ground connection on the COMP pin to enable external compensation.

OPEN value components on the COMP pin are place holders if external compensation is used.

Programmable Soft Start is available in the ISL85003A (without synchronization)

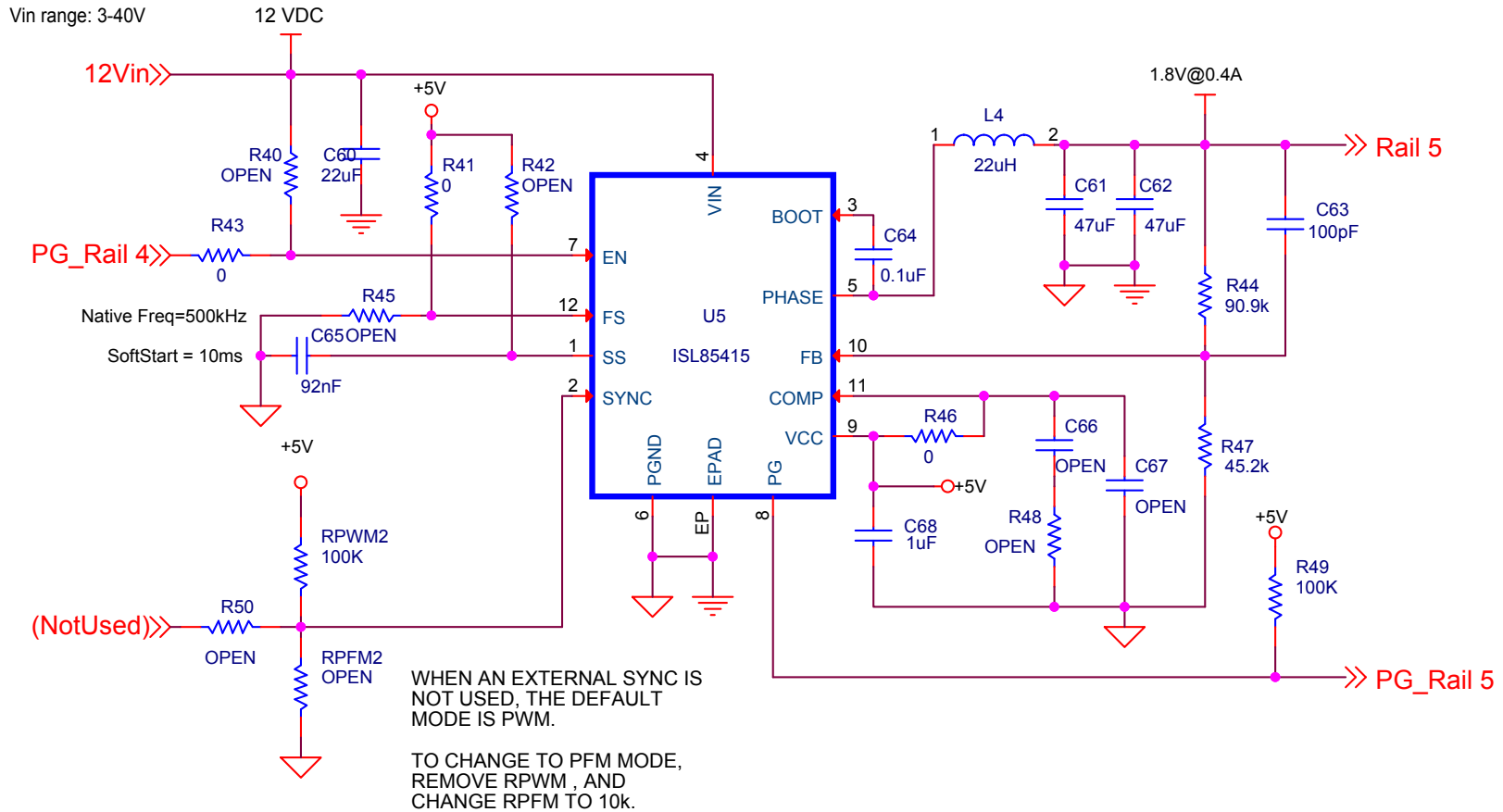
Title		
ISL85003-SINGLE-1		
Size	Document Number	Rev
A	<Doc>	<Rev Co
Date:	Thursday, March 09, 2017	Sheet 4 of 11

# ISL85415 SINGLE OUTPUT (500mA)



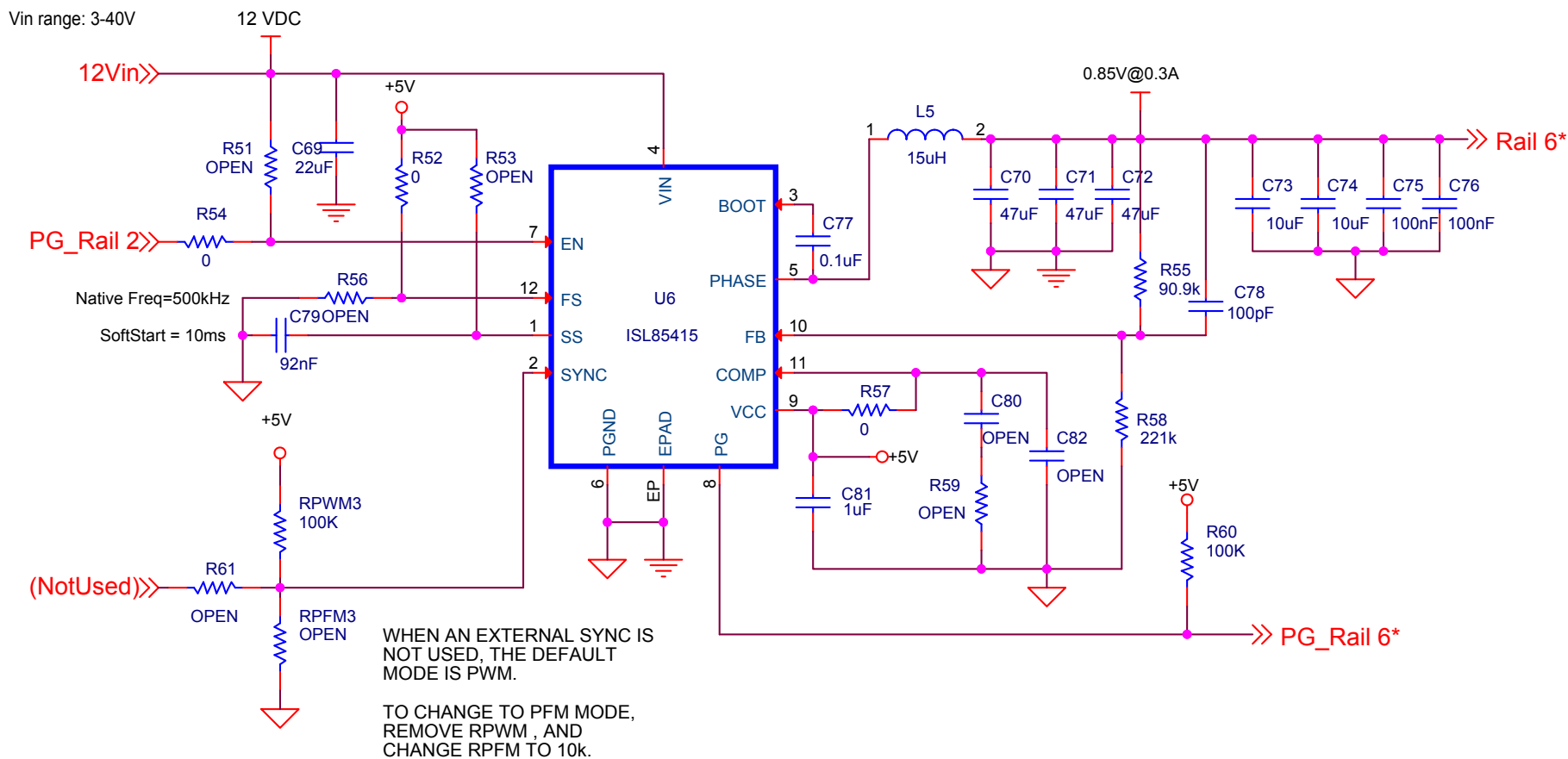
Title		
ISL85415-SINGLE-1		
Size A	Document Number	Rev
Date:	Thursday, March 09, 2017	Sheet 5 of 11

# ISL85415 SINGLE OUTPUT (500mA)



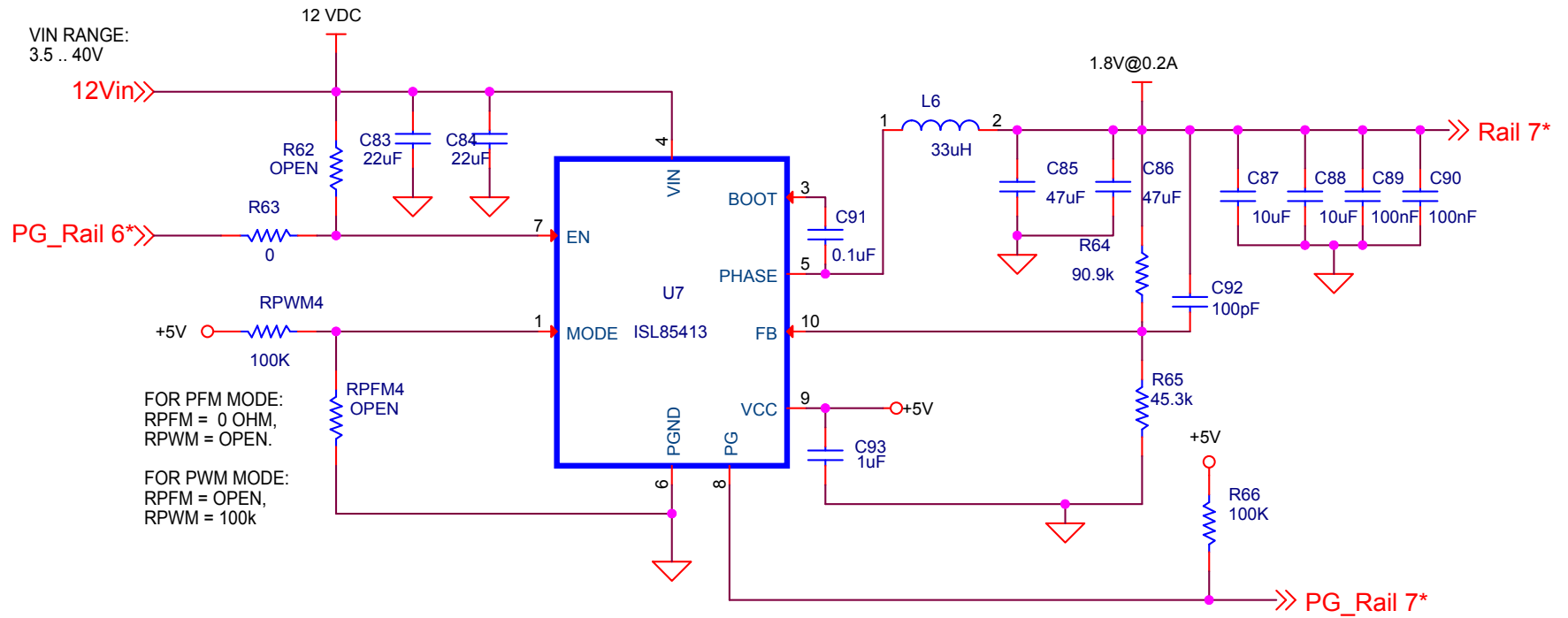
Title		
ISL85415-SINGLE-1		
Size A	Document Number	Rev
Date:	Thursday, March 09, 2017	Sheet 6 of 11

# ISL85415 SINGLE OUTPUT (500mA)



Title		
ISL85415-SINGLE-1		
Size A	Document Number	Rev
Date:	Thursday, March 09, 2017	Sheet 7 of 11

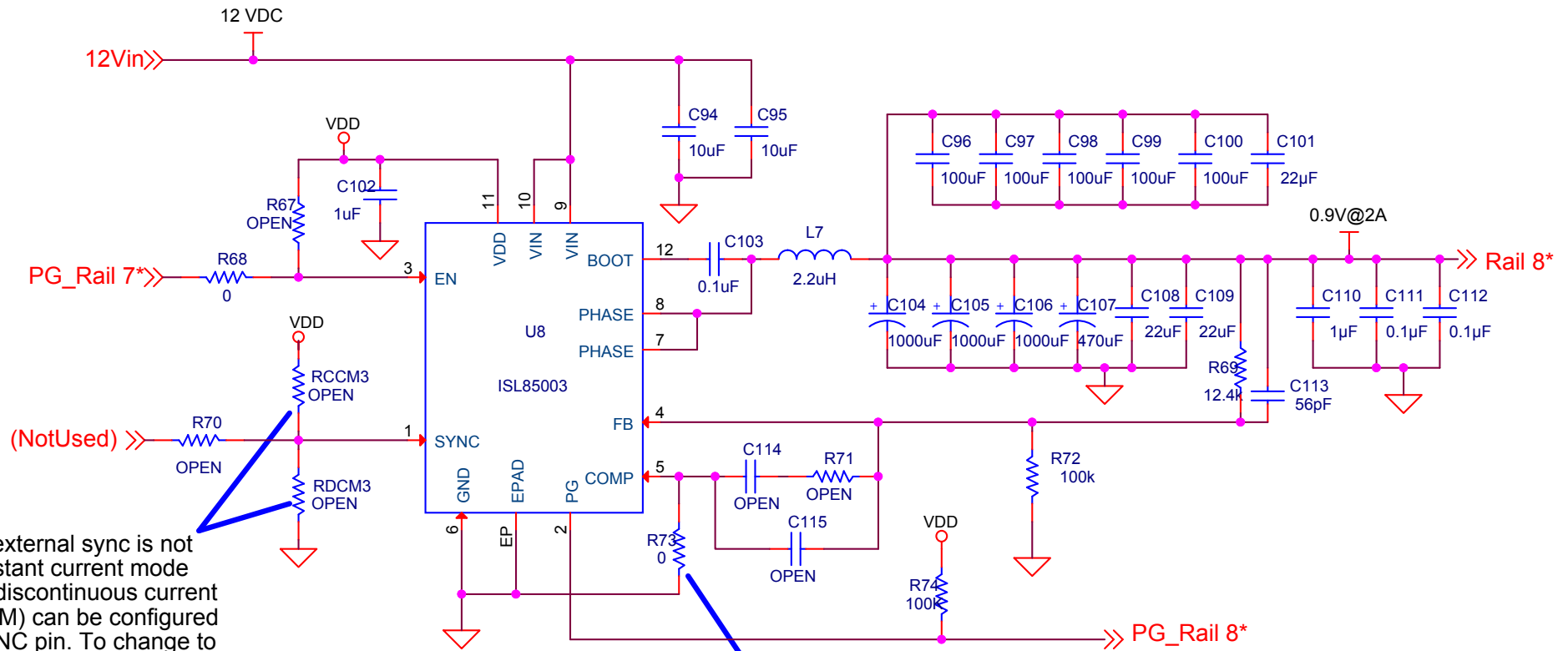
# ISL85413 SINGLE OUTPUT (300mA)



Title		
ISL85413-SINGLE-1		
Size	Document Number	Rev
A	<Doc>	
Date:	Thursday, March 09, 2017	Sheet 8 of 11



# ISL85003 SINGLE OUTPUT (3A)



When an external sync is not used, constant current mode (CCM) or discontinuous current mode (DCM) can be configured on the SYNC pin. To change to DCM mode, remove RCCM, and change RDCM to 0 ohms.

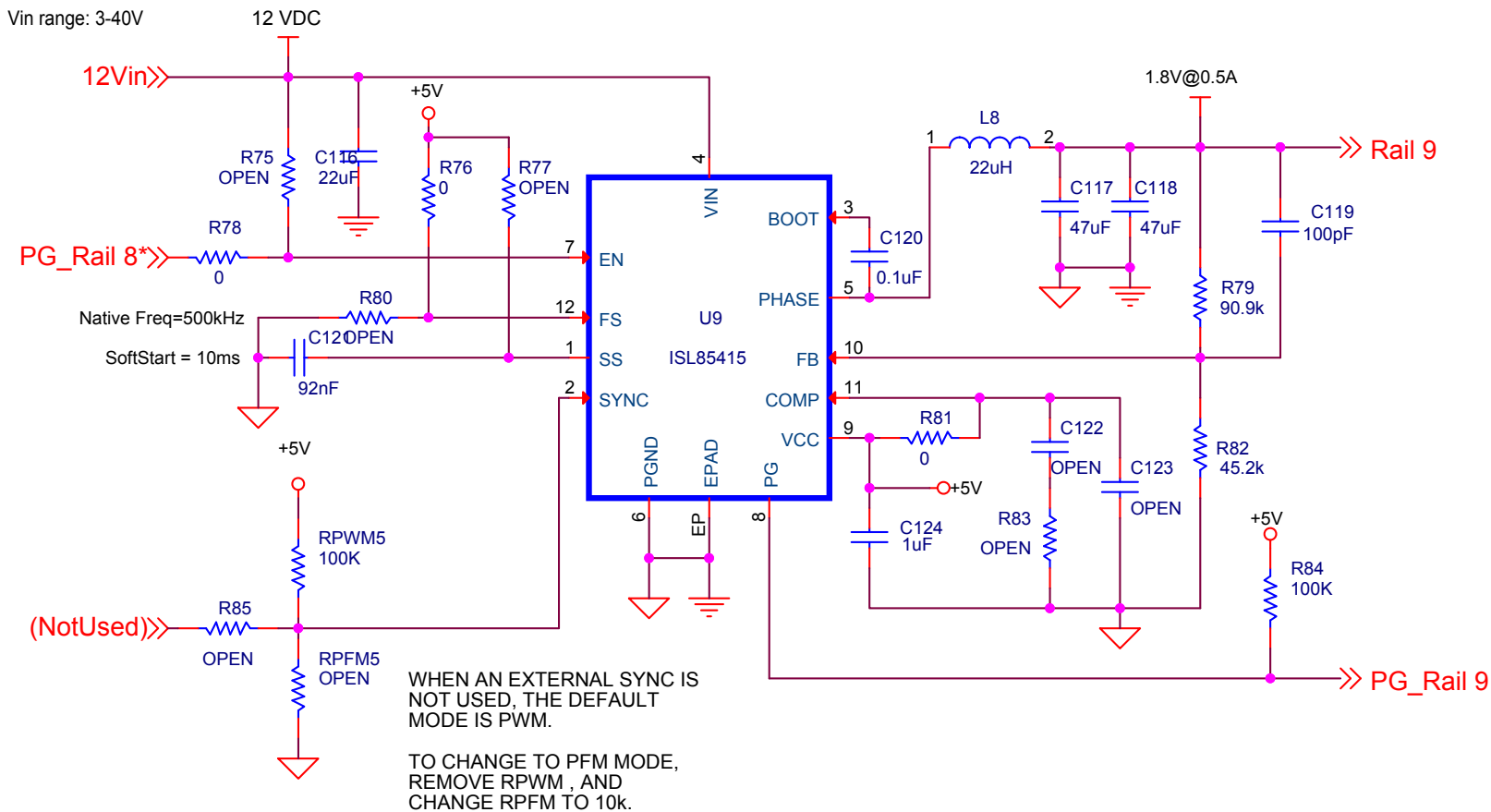
If custom compensation is desired, remove the ground connection on the COMP pin to enable external compensation.

OPEN value components on the COMP pin are place holders if external compensation is used.

Programmable Soft Start is available in the ISL85003A (without synchronization)

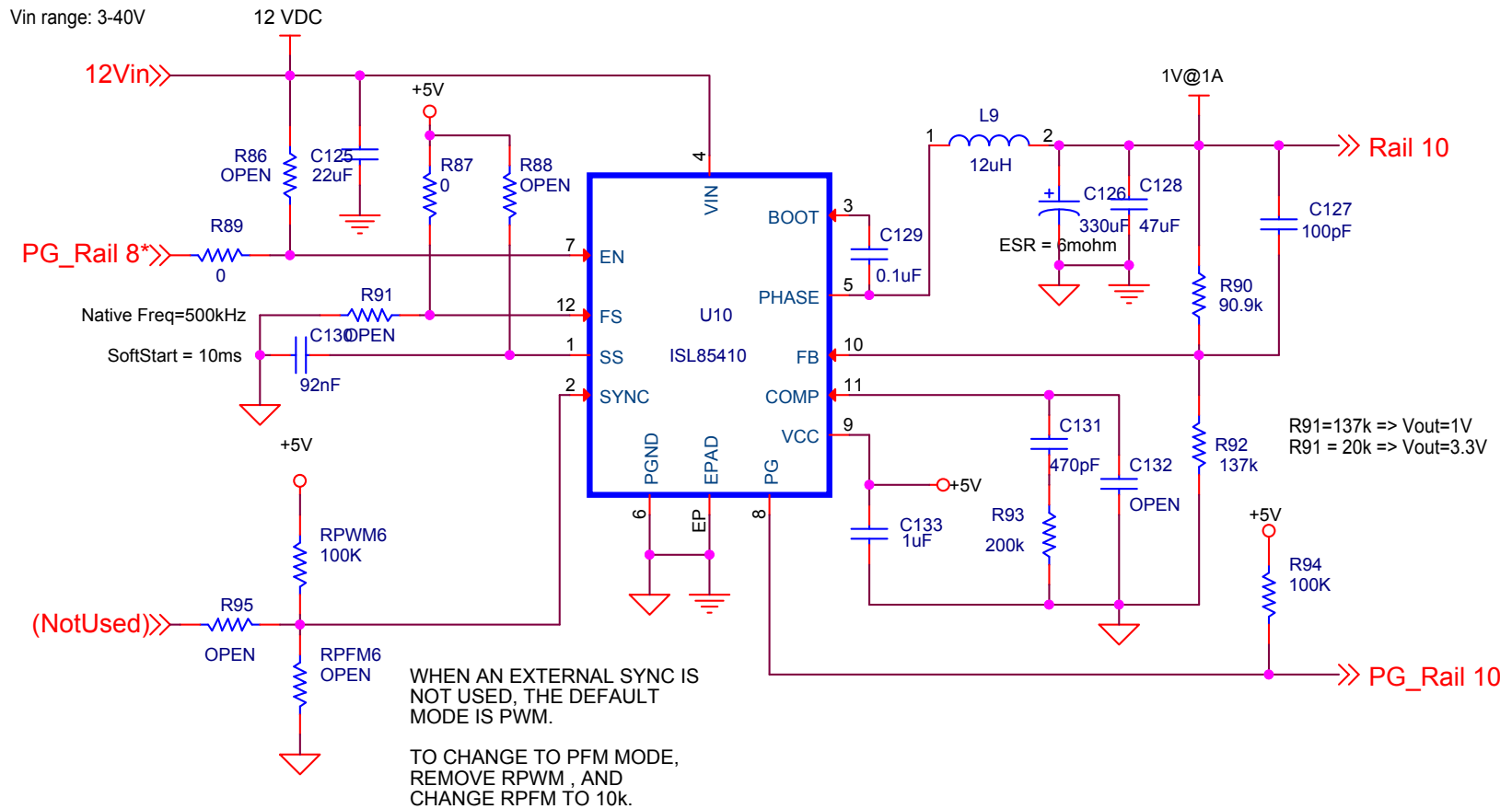
Title		
ISL85003-SINGLE-1		
Size	Document Number	Rev
A	<Doc>	<Rev Co
Date:	Thursday, March 09, 2017	Sheet 9 of 11

# ISL85415 SINGLE OUTPUT (500mA)



Title		
ISL85415-SINGLE-1		
Size A	Document Number	Rev
Date:	Thursday, March 09, 2017	Sheet 10 of 11

# ISL85410 SINGLE OUTPUT (1A)



Title		
ISL85410-SINGLE-1		
Size A	Document Number	Rev
Date:	Thursday, March 09, 2017	Sheet 11 of 11