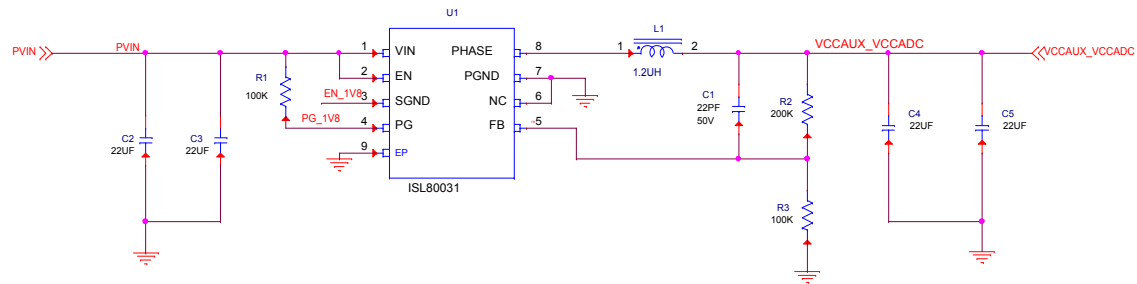
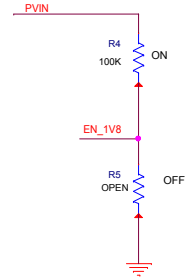


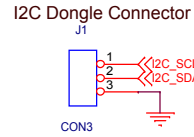
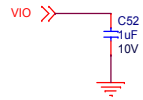
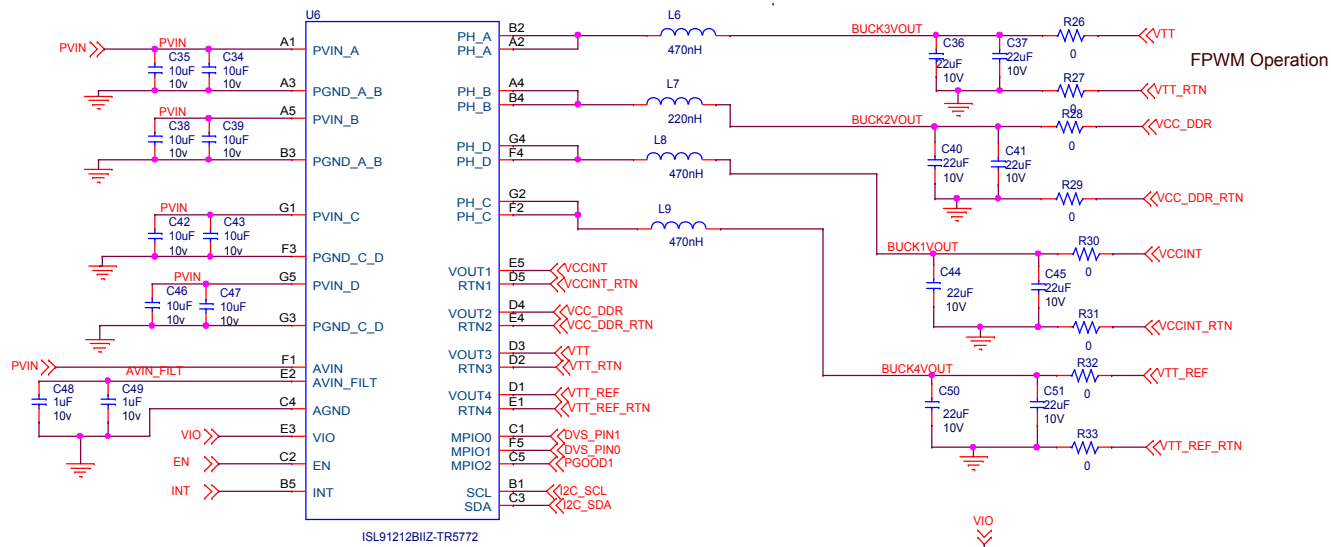
### ISL80031 SINGLE OUTPUT 1.8V



FOR ISL80031 PIN 2 IS VIN. PIN 3 IS EN. CONNECT R7=100KOHMS, R8 IS OPEN.



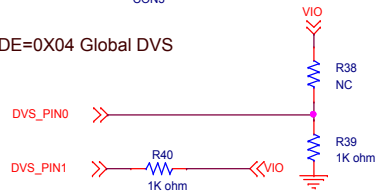
DRAWN BY: HUONG DOAN	DATE: 01/20/2015	ENGINEER: HUONG DOAN	DATE:
RELEASED BY:	DATE:	TITLE: <b>ISL80031</b> DEMO BOARD SCHEMATIC	
UPDATED BY: TIM KLEMANN	DATE:	TESTER:	
FILENAME: ISL80020DEMO1ZA		MASK#	HRDWR ID ISL80020
		REV. A	SHEET 1 OF 1



I/O Pin Pull Ups



IO\_PINMODE=0X04 Global DVS

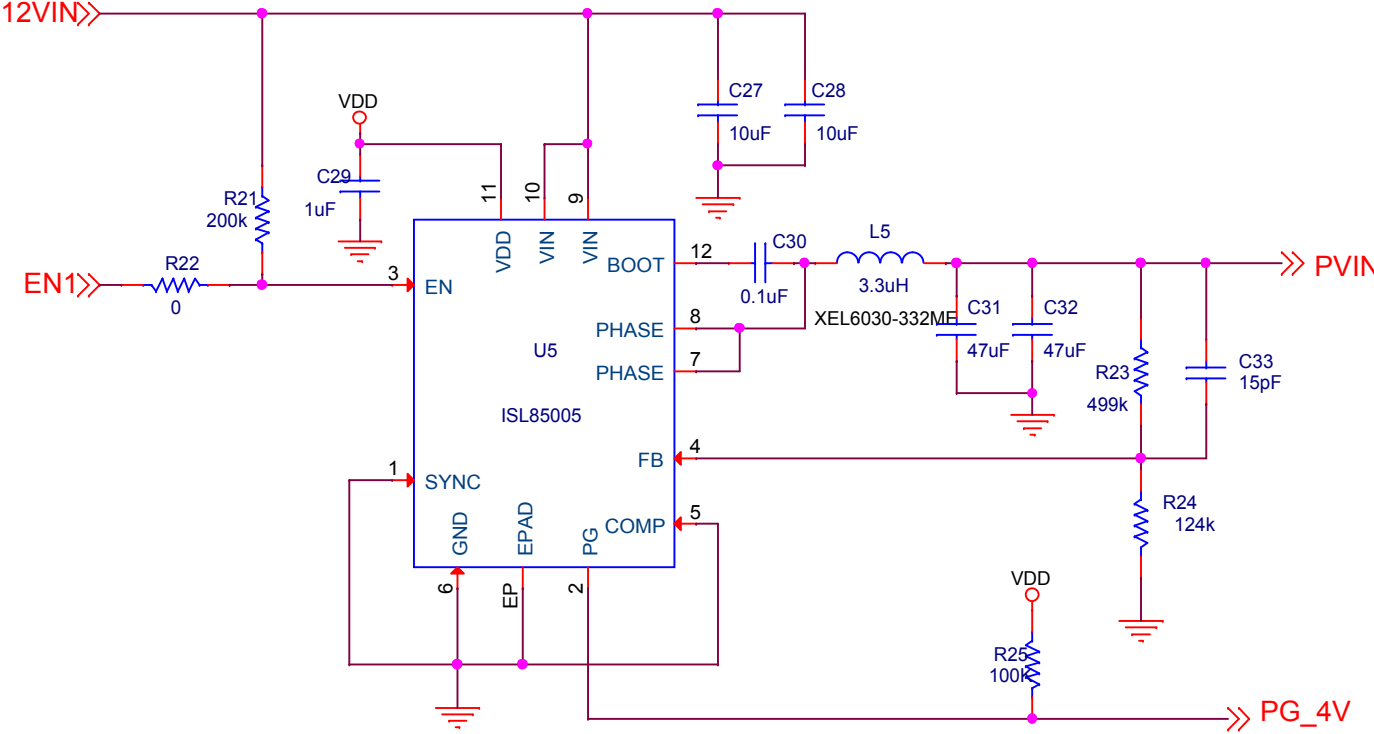


DDR3:	DVS_PIN1=0	DVS_PIN0=0	VCCINT=1.0V	VCC_DDR=1.5V	VTT=1.5V/2	VTT_REF=1.5V/2
LV_DDR3:	DVS_PIN1=0	DVS_PIN0=1	VCCINT=1.0V	VCC_DDR=1.35V	VTT=1.35V/2	VTT_REF=1.35V/2
DDR3:	DVS_PIN1=1	DVS_PIN0=0	VCCINT=0.95V	VCC_DDR=1.5V	VTT=1.5V/2	VTT_REF=1.5V/2
LV_DDR3:	DVS_PIN1=1	DVS_PIN0=1	VCCINT=0.95V	VCC_DDR=1.35V	VTT=1.35V/2	VTT_REF=1.35V/2

(Populate R39 =1K ohm for DVS\_PIN0=0; R38 = 1k ohm for DVS\_PIN0=1)

Title		
<b>S7_2_ISL91212</b>		
Size B	Document Number <Doc>	Rev A
Date:	Thursday, November 02, 2017	Sheet 1 of 1

# ISL85005 SINGLE OUTPUT (5A)



Title		
<b>ISL85005_12V_4V</b>		
Size A	Document Number <Doc>	Rev <b>A</b>
Date:	Friday, September 15, 2017	Sheet 1 of 1

# ISL8503 SINGLE OUTPUT FOR VCCIO 3.3V

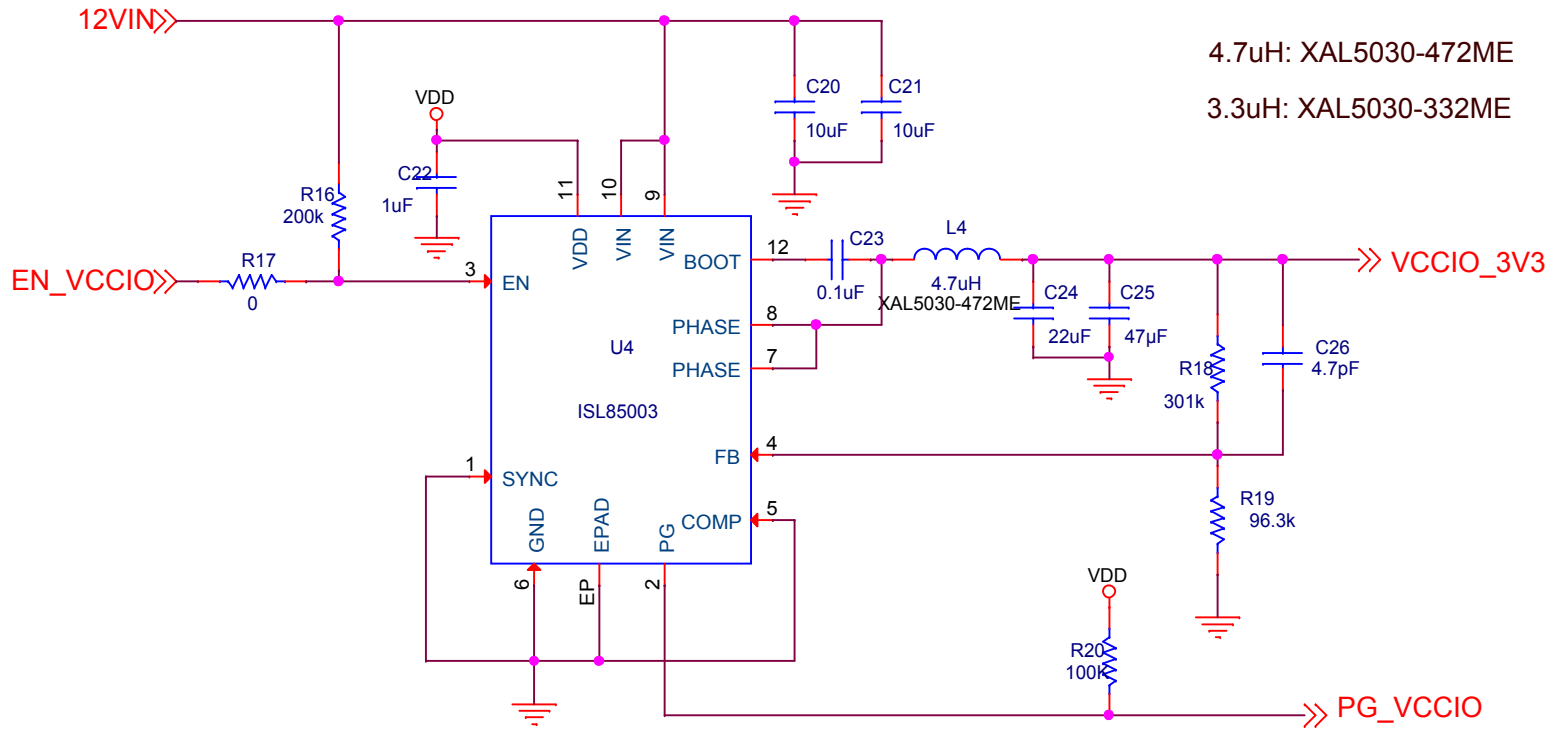
L=3.3uH R=241K Vout=1.8V

L=3.3uH R=142K Vout=2.5V

L=4.7uH R=96.3K Vout=3.3V

4.7uH: XAL5030-472ME

3.3uH: XAL5030-332ME



Title		
<b>ISL8503-SINGLE-3.3V</b>		
Size A	Document Number <Doc>	Rev <b>A</b>
Date:	Friday, September 15, 2017	Sheet 1 of 1

## ISL8503 SINGLE OUTPUT FOR VCCIO 2.5V

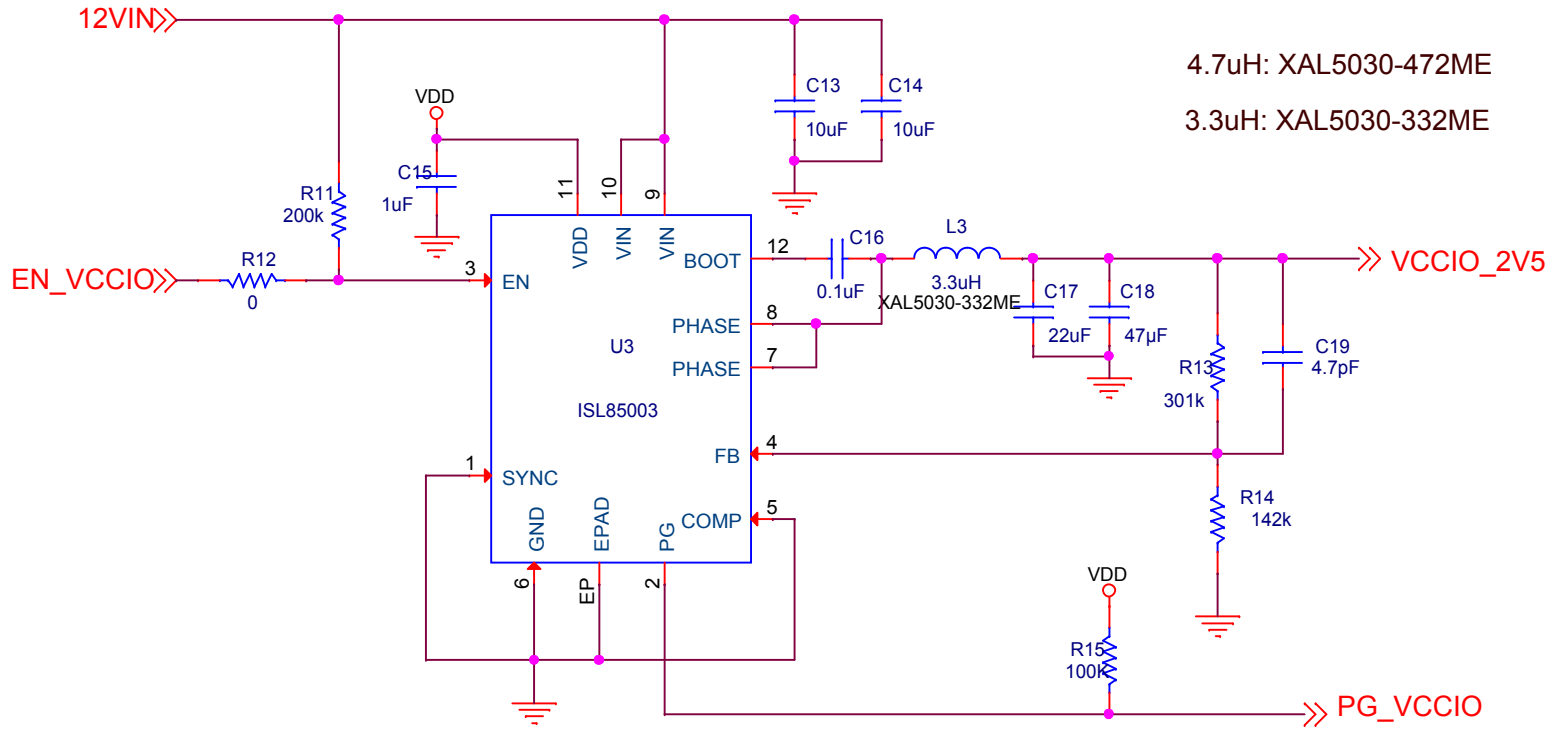
L=3.3uH R=241K Vout=1.8V

L=3.3uH R=142K Vout=2.5V

L=4.7uH R=96.3K Vout=3.3V

4.7uH: XAL5030-472ME

3.3uH: XAL5030-332ME



Title		
<b>ISL8503-SINGLE-2.5V</b>		
Size A	Document Number <Doc>	Rev <b>A</b>
Date:	Friday, September 15, 2017	Sheet 1 of 1

## ISL8503 SINGLE OUTPUT FOR VCCIO 1.8V

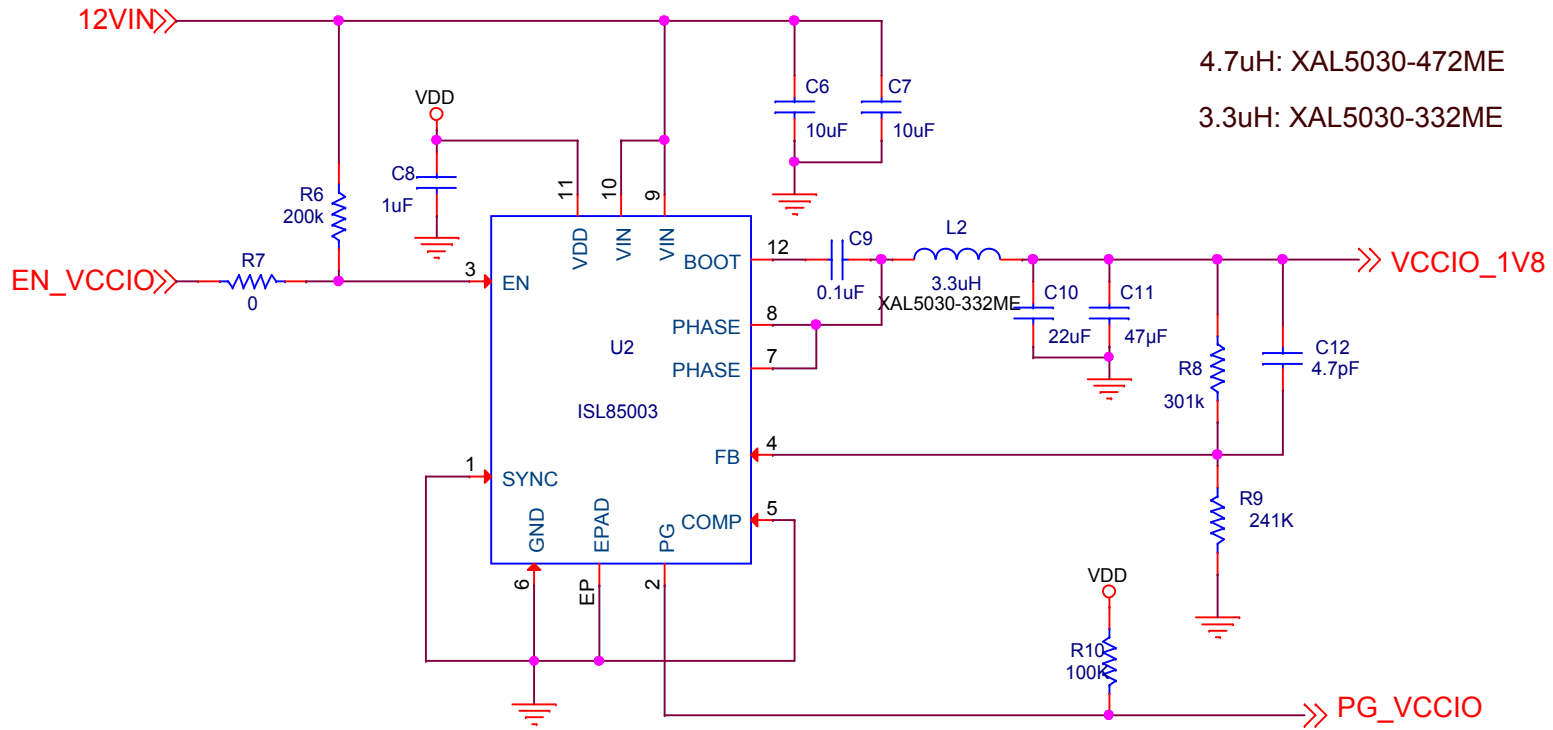
L=3.3uH R=241K Vout=1.8V

L=3.3uH R=142K Vout=2.5V

L=4.7uH R=96.3K Vout=3.3V

4.7uH: XAL5030-472ME

3.3uH: XAL5030-332ME



Title		
<b>ISL8503-SINGLE-1.8V</b>		
Size A	Document Number <Doc>	Rev A
Date:	Friday, September 15, 2017	Sheet 1 of 1