

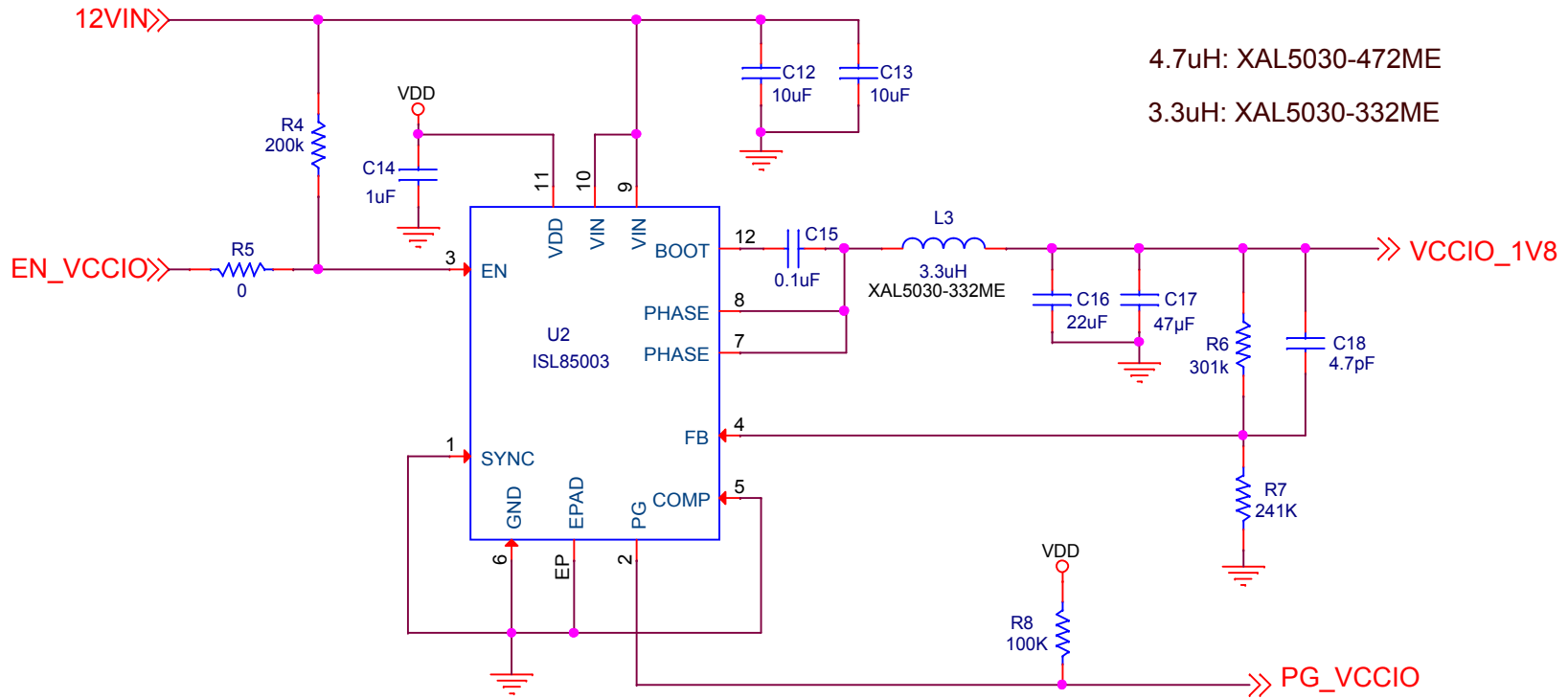
|                               |                          |              |
|-------------------------------|--------------------------|--------------|
| Title                         |                          |              |
| <b>ISL8036 (0.95V VCCINT)</b> |                          |              |
| Size<br>A                     | Document Number<br><Doc> | Rev<br>A     |
| Date:                         | Friday, October 20, 2017 | Sheet 1 of 5 |

## ISL8503 SINGLE OUTPUT FOR VCCIO 1.8V

L=3.3uH    R=241K    Vout=1.8V

L=3.3uH    R=142K    Vout=2.5V

L=4.7uH    R=96.3K    Vout=3.3V



4.7uH: XAL5030-472ME

3.3uH: XAL5030-332ME

|                            |                          |              |
|----------------------------|--------------------------|--------------|
| Title                      |                          |              |
| <b>ISL8503-SINGLE-1.8V</b> |                          |              |
| Size<br>A                  | Document Number<br><Doc> | Rev<br>A     |
| Date:                      | Friday, October 20, 2017 | Sheet 2 of 5 |

## ISL85003 SINGLE OUTPUT FOR VCCIO 2.5V

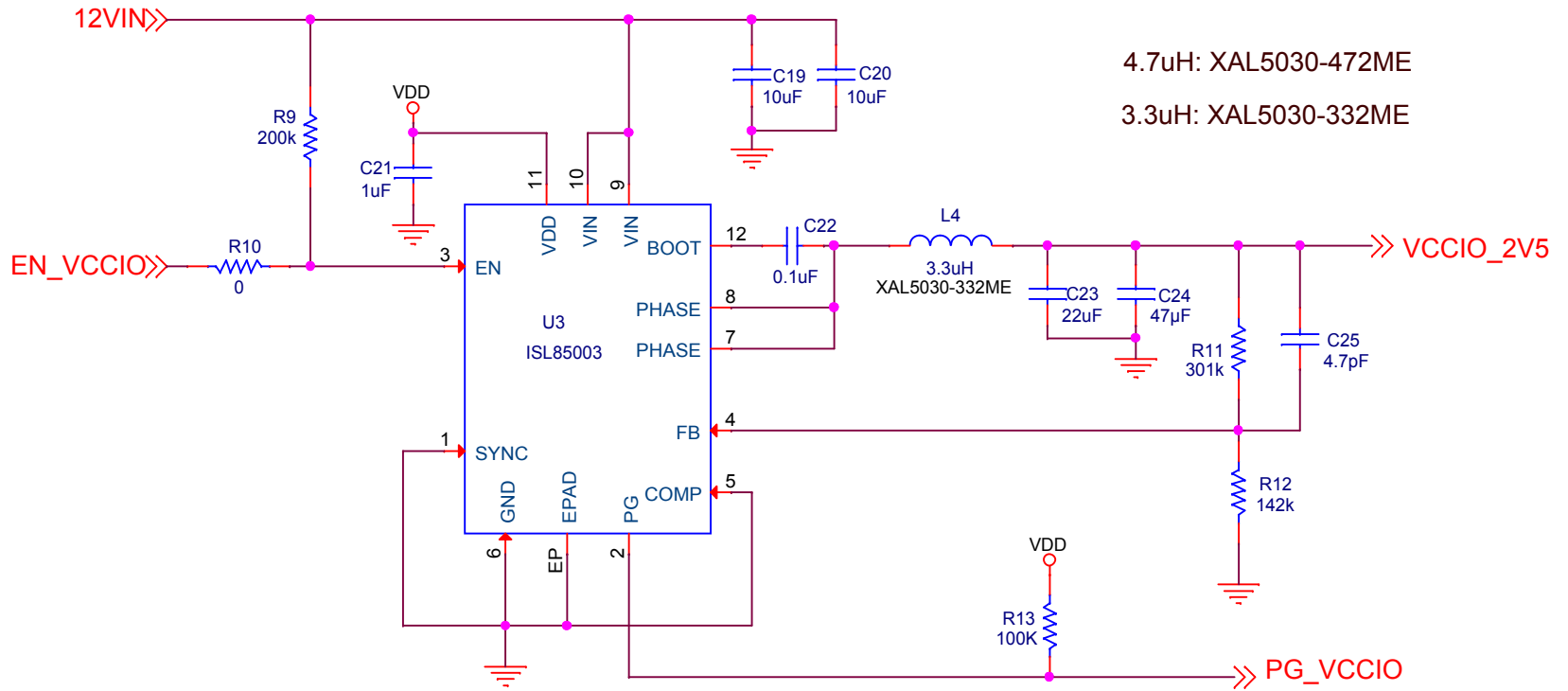
L=3.3uH R=241K Vout=1.8V

L=3.3uH R=142K Vout=2.5V

L=4.7uH R=96.3K Vout=3.3V

4.7uH: XAL5030-472ME

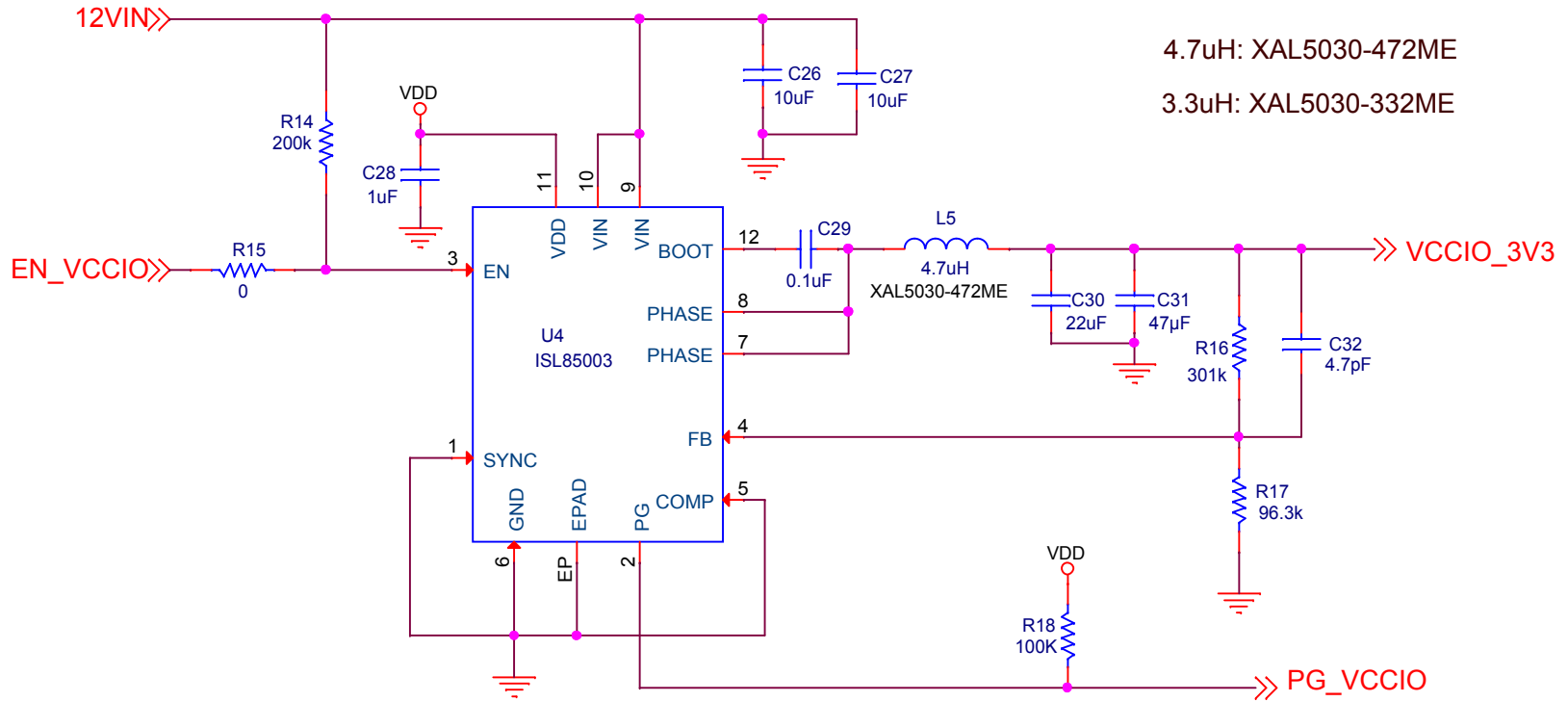
3.3uH: XAL5030-332ME



|                             |                          |                 |
|-----------------------------|--------------------------|-----------------|
| Title                       |                          |                 |
| <b>ISL85003-SINGLE-2.5V</b> |                          |                 |
| Size<br>A                   | Document Number<br><Doc> | Rev<br><b>A</b> |
| Date:                       | Friday, October 20, 2017 | Sheet 3 of 5    |

# ISL8503 SINGLE OUTPUT FOR VCCIO 3.3V

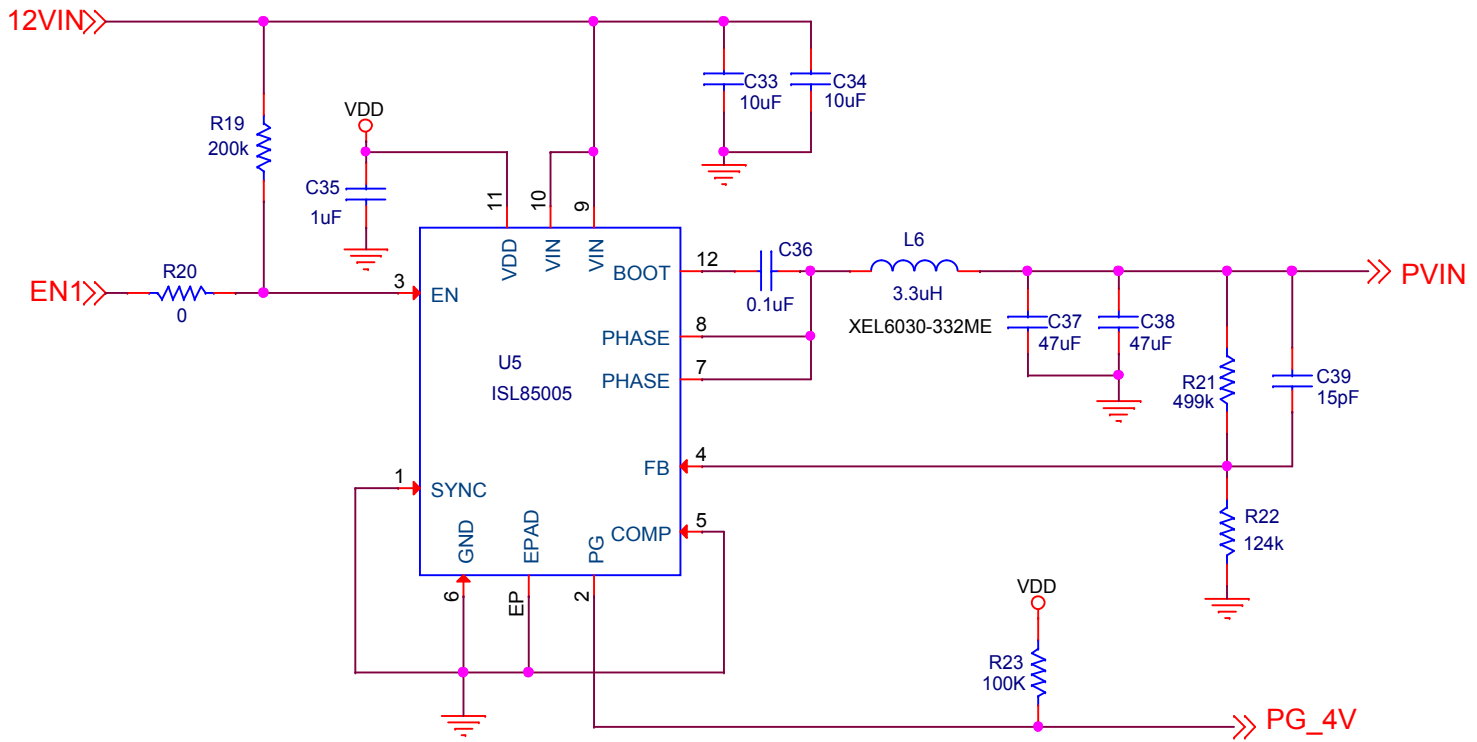
L=3.3uH    R=241K    Vout=1.8V  
 L=3.3uH    R=142K    Vout=2.5V  
 L=4.7uH    R=96.3K    Vout=3.3V



4.7uH: XAL5030-472ME  
 3.3uH: XAL5030-332ME

|                            |                          |                 |
|----------------------------|--------------------------|-----------------|
| Title                      |                          |                 |
| <b>ISL8503-SINGLE-3.3V</b> |                          |                 |
| Size<br>A                  | Document Number<br><Doc> | Rev<br><b>A</b> |
| Date:                      | Friday, October 20, 2017 | Sheet 4 of 5    |

# ISL85005 SINGLE OUTPUT (5A)



|                        |                          |                 |
|------------------------|--------------------------|-----------------|
| Title                  |                          |                 |
| <b>ISL85005_12V_4V</b> |                          |                 |
| Size<br>A              | Document Number<br><Doc> | Rev<br><b>A</b> |
| Date:                  | Friday, October 20, 2017 | Sheet 5 of 5    |