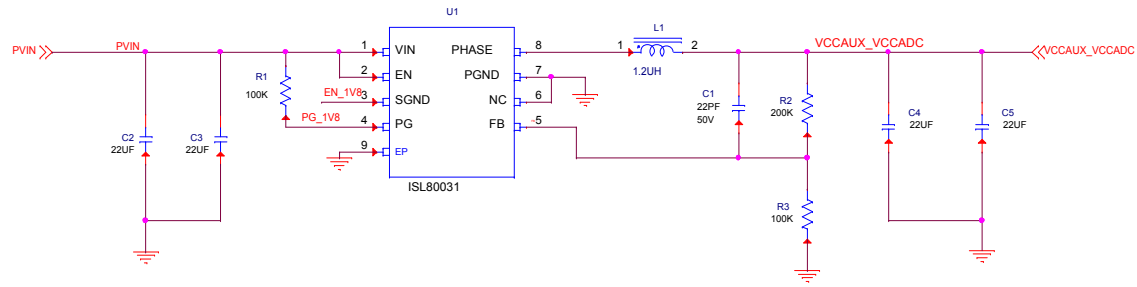
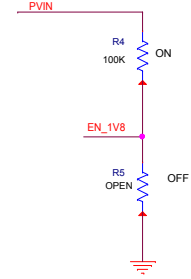


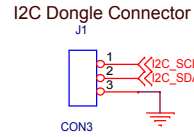
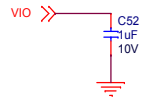
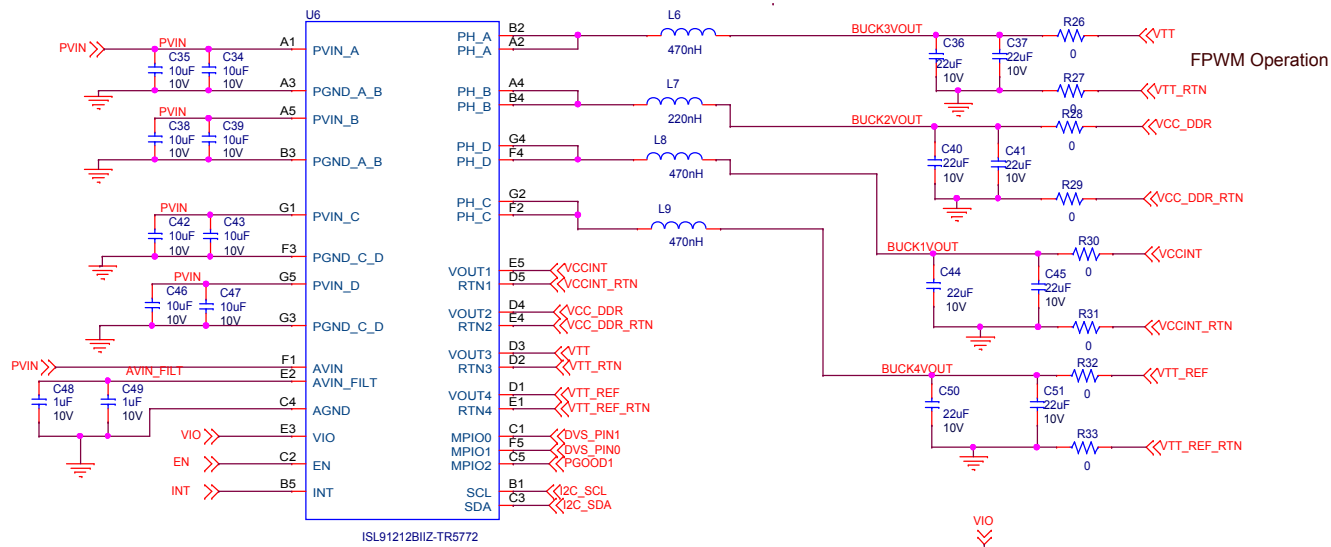
ISL80031 SINGLE OUTPUT 1.8V



FOR ISL80031 PIN 2 IS VIN. PIN 3 IS EN. CONNECT R7=100KOHMS, R8 IS OPEN.



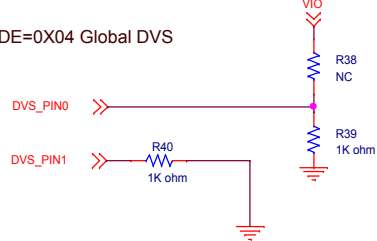
DRAWN BY: HUONG DOAN	DATE: 01/20/2015	ENGINEER: HUONG DOAN	DATE:
RELEASED BY:	DATE:	TITLE: ISL80031 DEMO BOARD SCHEMATIC	
UPDATED BY: TIM KLEMANN	DATE:	TESTER:	
FILENAME: ISL80020DEMO1ZA		MASK#	HRDWR ID ISL80020
		REV. A	SHEET 1 OF 1



I/O Pin Pull Ups



IO_PINMODE=0X04 Global DVS

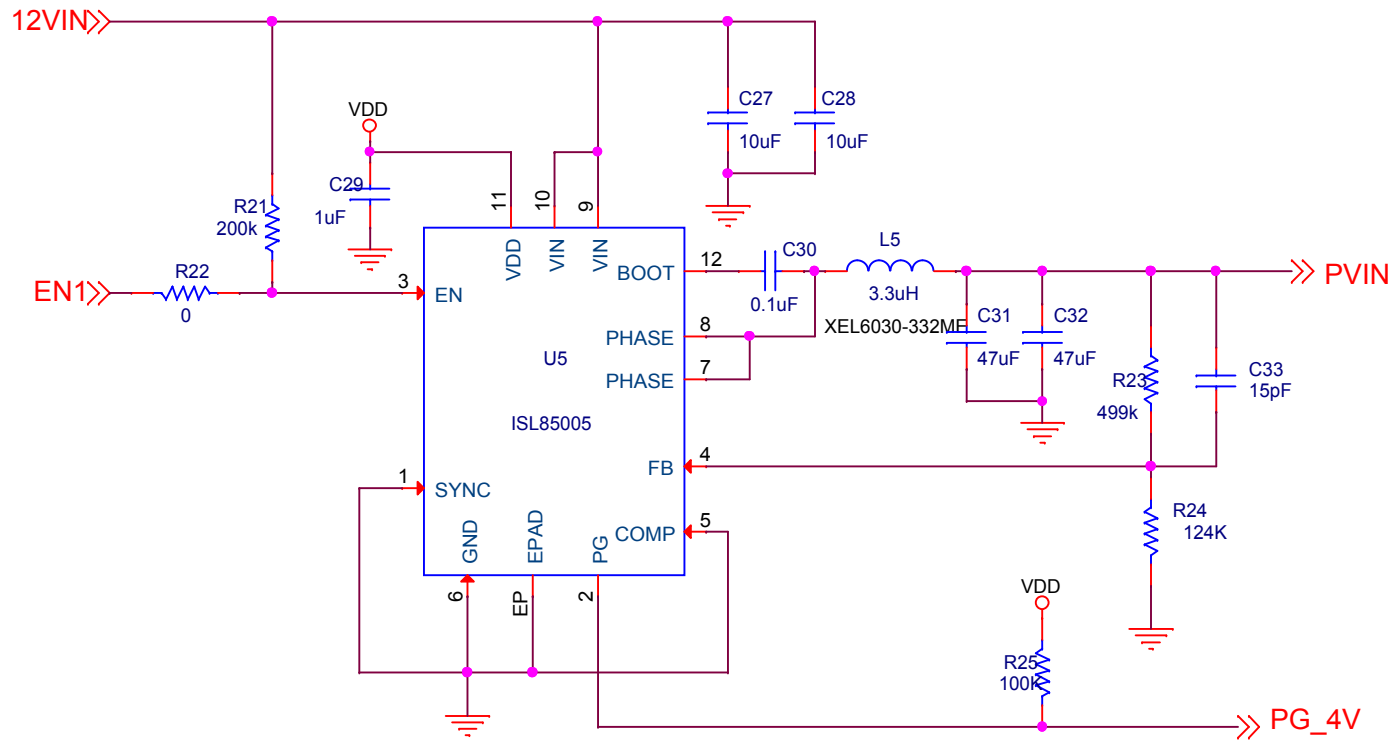


- DDR3: DVS_PIN1=0 DVS_PIN0=0 VCCINT=1.0V VCC_DDR=1.5V VTT=1.5V/2 VTT_REF=1.5V/2
 LV_DDR3: DVS_PIN1=0 DVS_PIN0=1 VCCINT=1.0V VCC_DDR=1.35V VTT=1.35V/2 VTT_REF=1.35V/2
 DDR3: DVS_PIN1=1 DVS_PIN0=0 VCCINT=0.95V VCC_DDR=1.5V VTT=1.5V/2 VTT_REF=1.5V/2
 LV_DDR3: DVS_PIN1=1 DVS_PIN0=1 VCCINT=0.95V VCC_DDR=1.35V VTT=1.35V/2 VTT_REF=1.35V/2

(Populate R39 =1K ohm for DVS_PIN0=0; R38 = 1k ohm for DVS_PIN0=1)

Title		
S7_1_ISL91212		
Size B	Document Number <Doc>	Rev A
Date:	Thursday, November 02, 2017	Sheet 1 of 1

ISL85005 SINGLE OUTPUT 4V(5A)



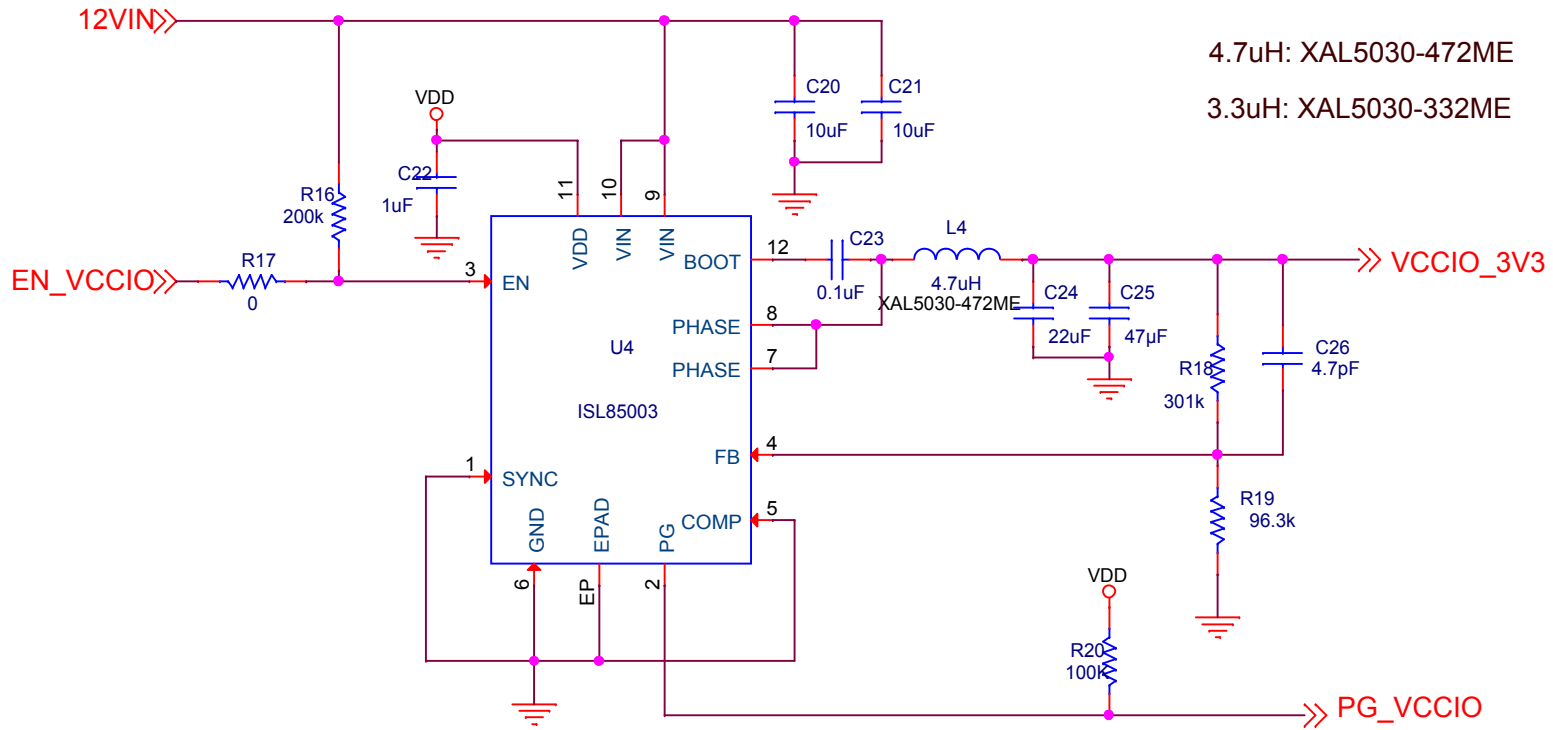
Title		
ISL85005_12V_4V		
Size A	Document Number <Doc>	Rev A
Date:	Friday, September 15, 2017	Sheet 1 of 1

ISL8503 SINGLE OUTPUT FOR VCCIO 3.3V

L=3.3uH R=241K Vout=1.8V

L=3.3uH R=142K Vout=2.5V

L=4.7uH R=96.3K Vout=3.3V



Title		
ISL8503-SINGLE-3.3V		
Size	Document Number	Rev
A	<Doc>	A
Date:	Friday, September 15, 2017	Sheet 1 of 1

ISL8503 SINGLE OUTPUT FOR VCCIO 2.5V

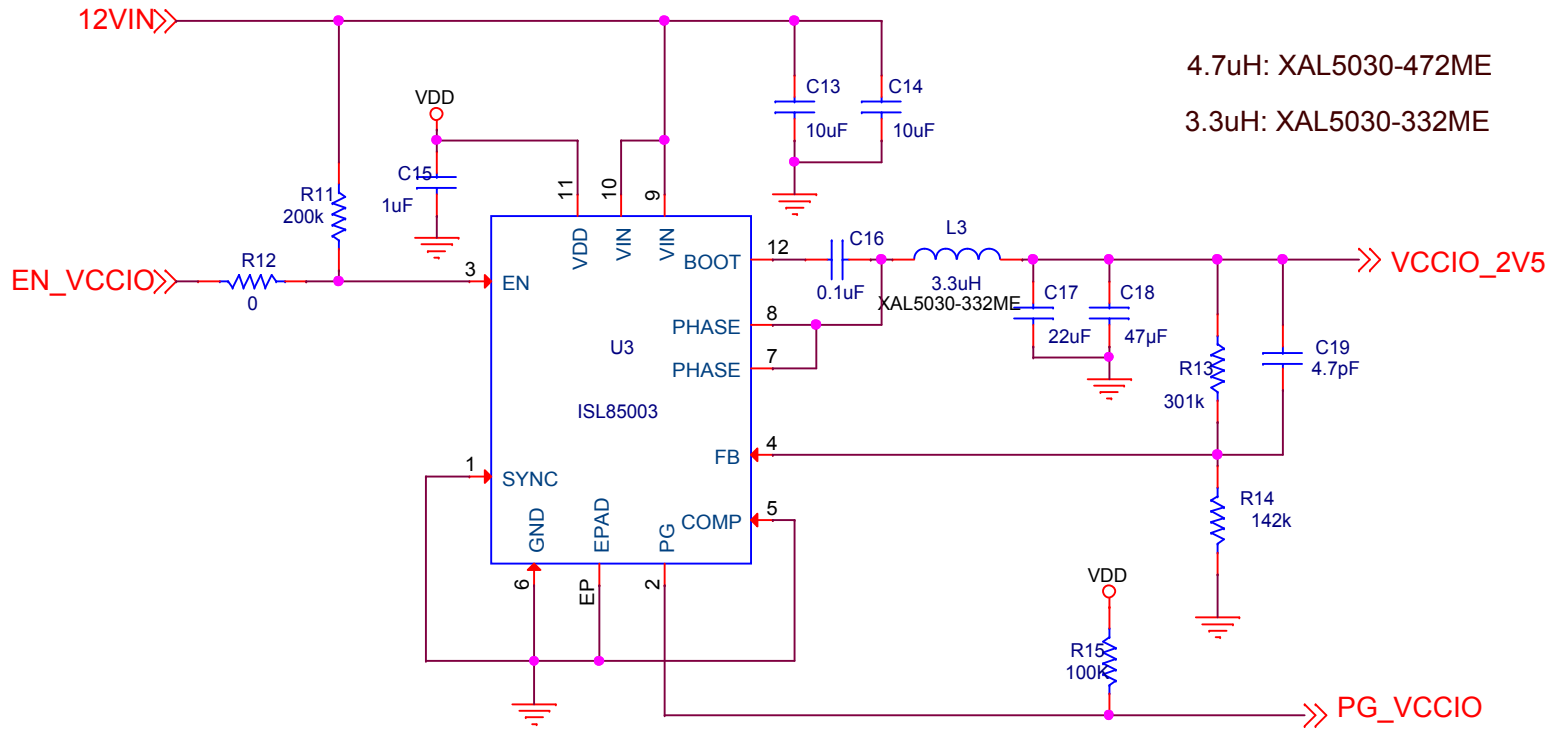
L=3.3uH R=241K Vout=1.8V

L=3.3uH R=142K Vout=2.5V

L=4.7uH R=96.3K Vout=3.3V

4.7uH: XAL5030-472ME

3.3uH: XAL5030-332ME



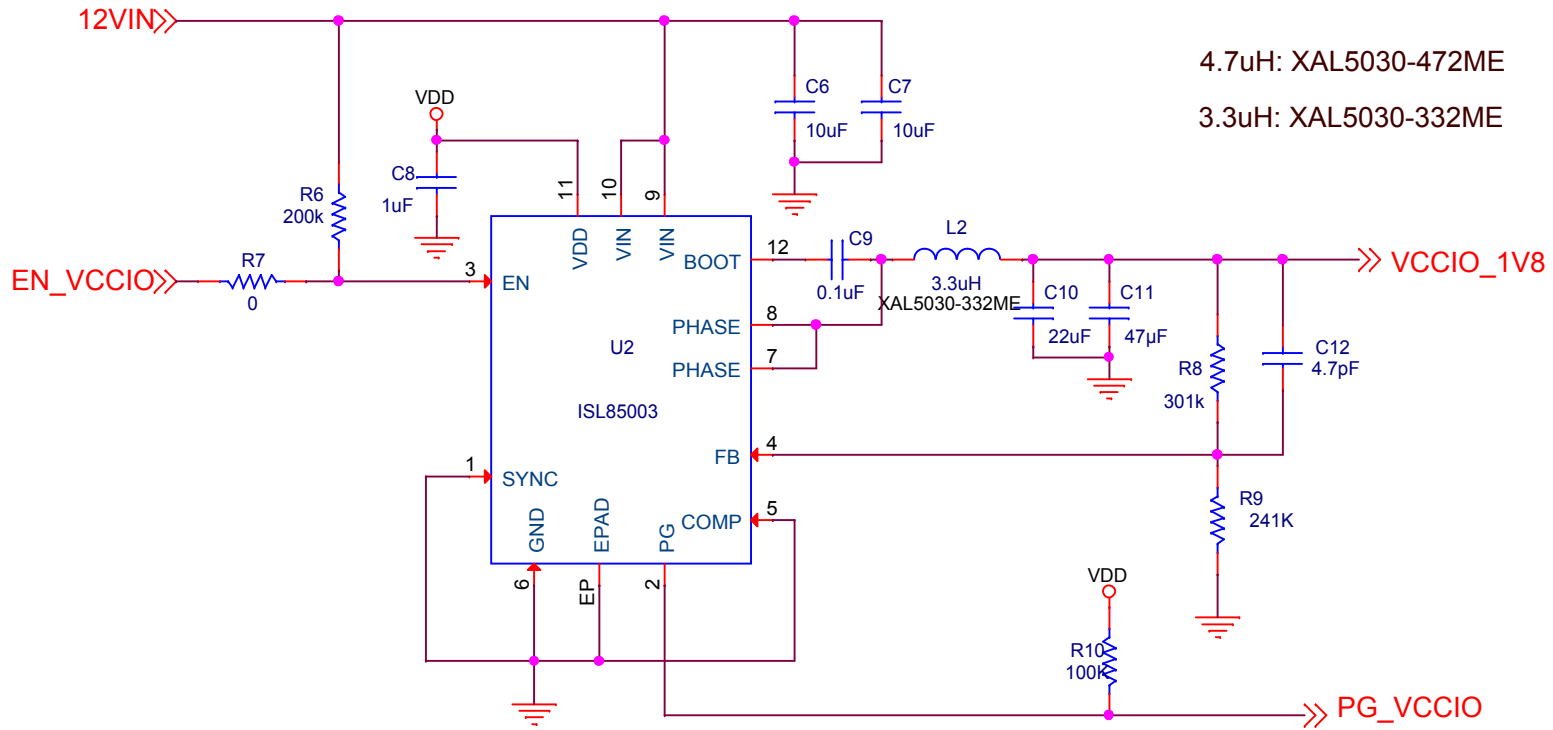
Title		
ISL8503-SINGLE-2.5V		
Size A	Document Number <Doc>	Rev A
Date:	Friday, September 15, 2017	Sheet 1 of 1

ISL85003 SINGLE OUTPUT FOR VCCIO 1.8V

L=3.3uH R=241K Vout=1.8V

L=3.3uH R=142K Vout=2.5V

L=4.7uH R=96.3K Vout=3.3V



4.7uH: XAL5030-472ME

3.3uH: XAL5030-332ME

Title		
ISL85003-SINGLE-1.8V		
Size A	Document Number <Doc>	Rev A
Date:	Friday, September 15, 2017	Sheet 1 of 1