

ISL85003 SINGLE OUTPUT FOR VCCIO 1.8V

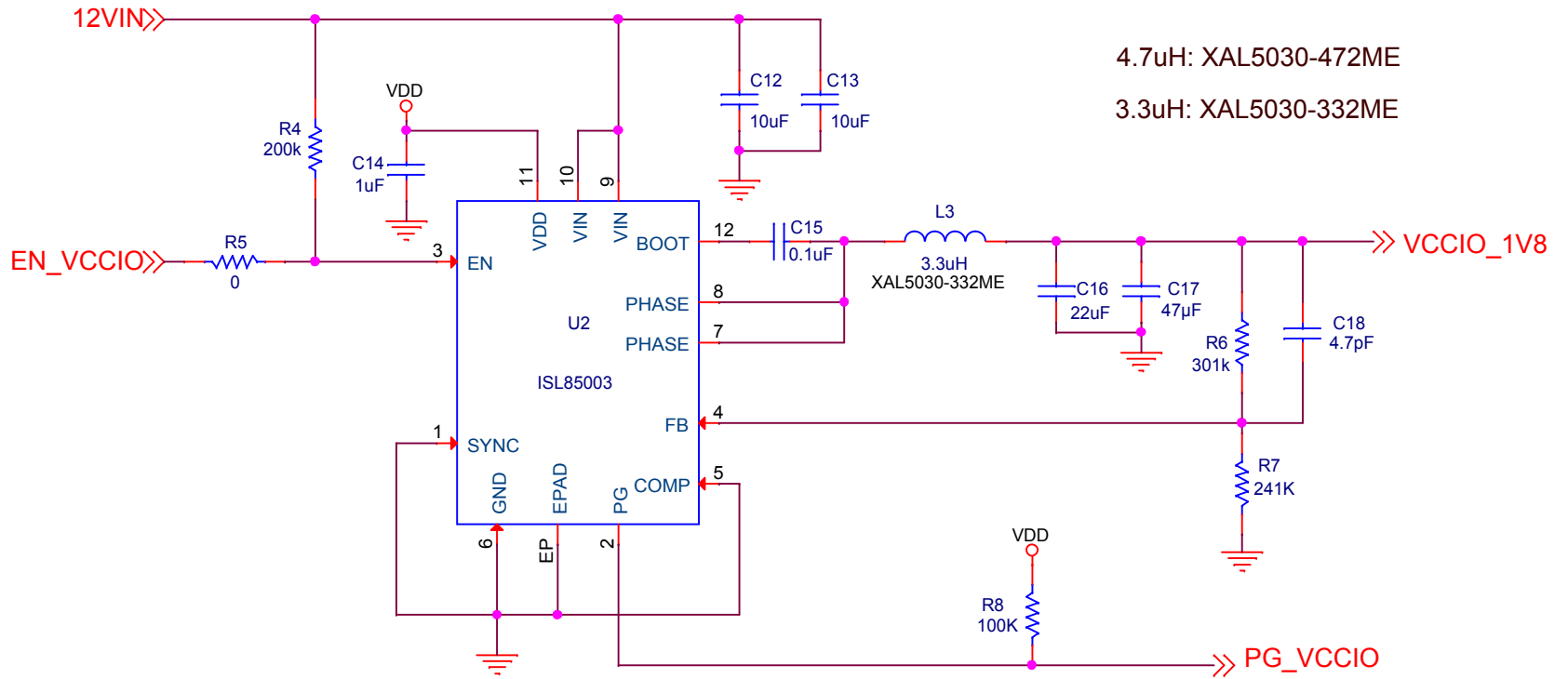
L=3.3uH R=241K Vout=1.8V

L=3.3uH R=142K Vout=2.5V

L=4.7uH R=96.3K Vout=3.3V

4.7uH: XAL5030-472ME

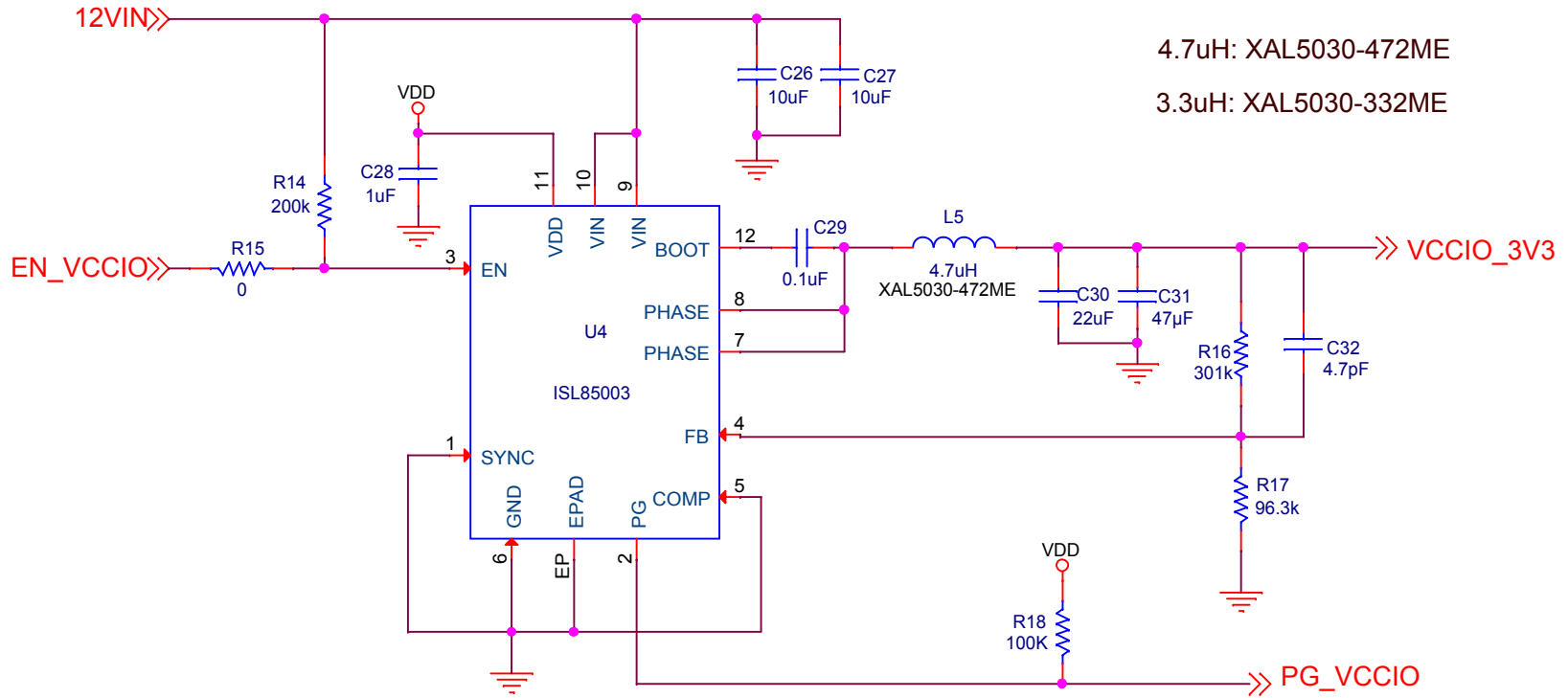
3.3uH: XAL5030-332ME



Title		
ISL85003-SINGLE-1.8V		
Size A	Document Number <Doc>	Rev A
Date:	Friday, October 20, 2017	Sheet 2 of 5

ISL85003 SINGLE OUTPUT FOR VCCIO 3.3V

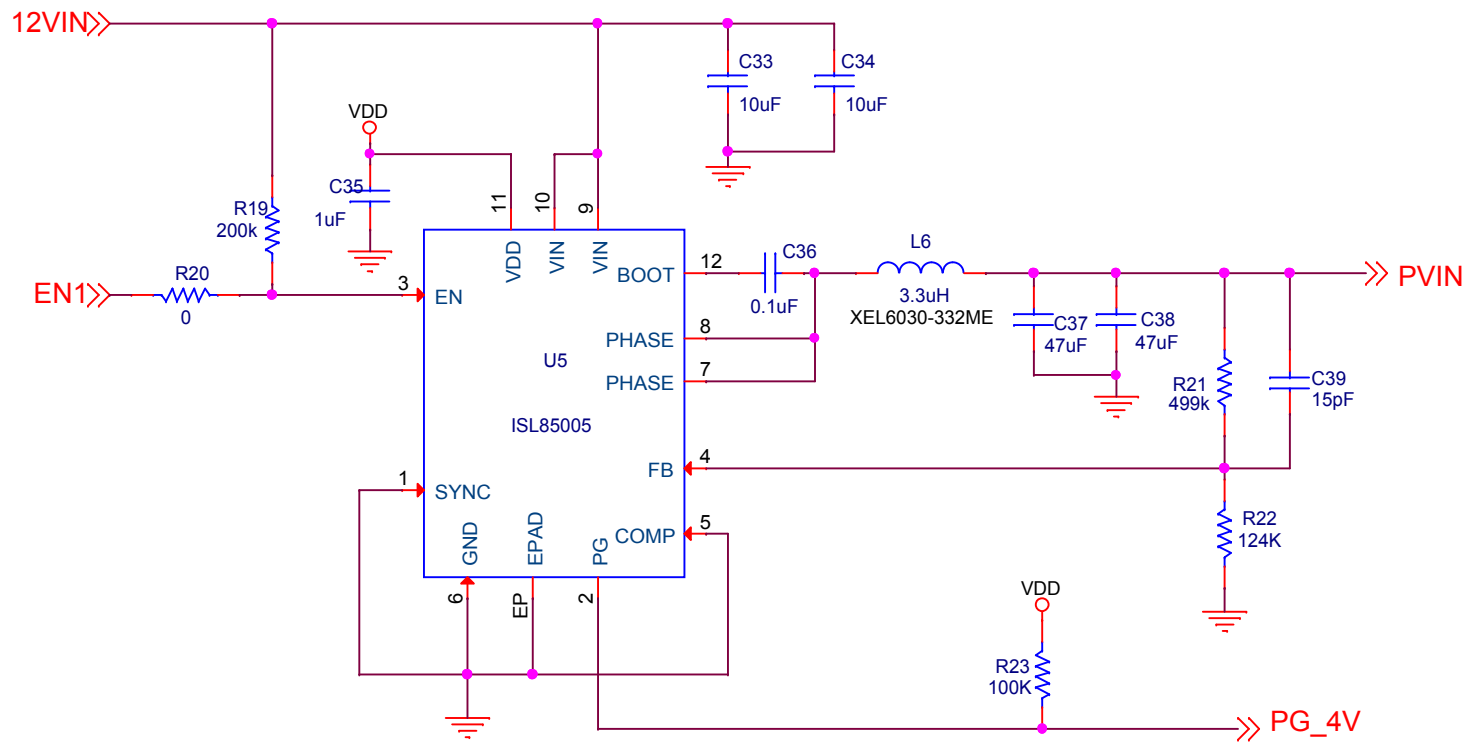
L=3.3uH R=241K Vout=1.8V
 L=3.3uH R=142K Vout=2.5V
 L=4.7uH R=96.3K Vout=3.3V



4.7uH: XAL5030-472ME
 3.3uH: XAL5030-332ME

Title		
ISL85003-SINGLE-3.3V		
Size	Document Number	Rev
A	<Doc>	A
Date:	Friday, October 20, 2017	Sheet 4 of 5

ISL85005 SINGLE OUTPUT 4V(5A)



Title		
ISL85005_12V_4V		
Size	Document Number	Rev
A	<Doc>	A
Date:	Friday, October 20, 2017	Sheet 5 of 5