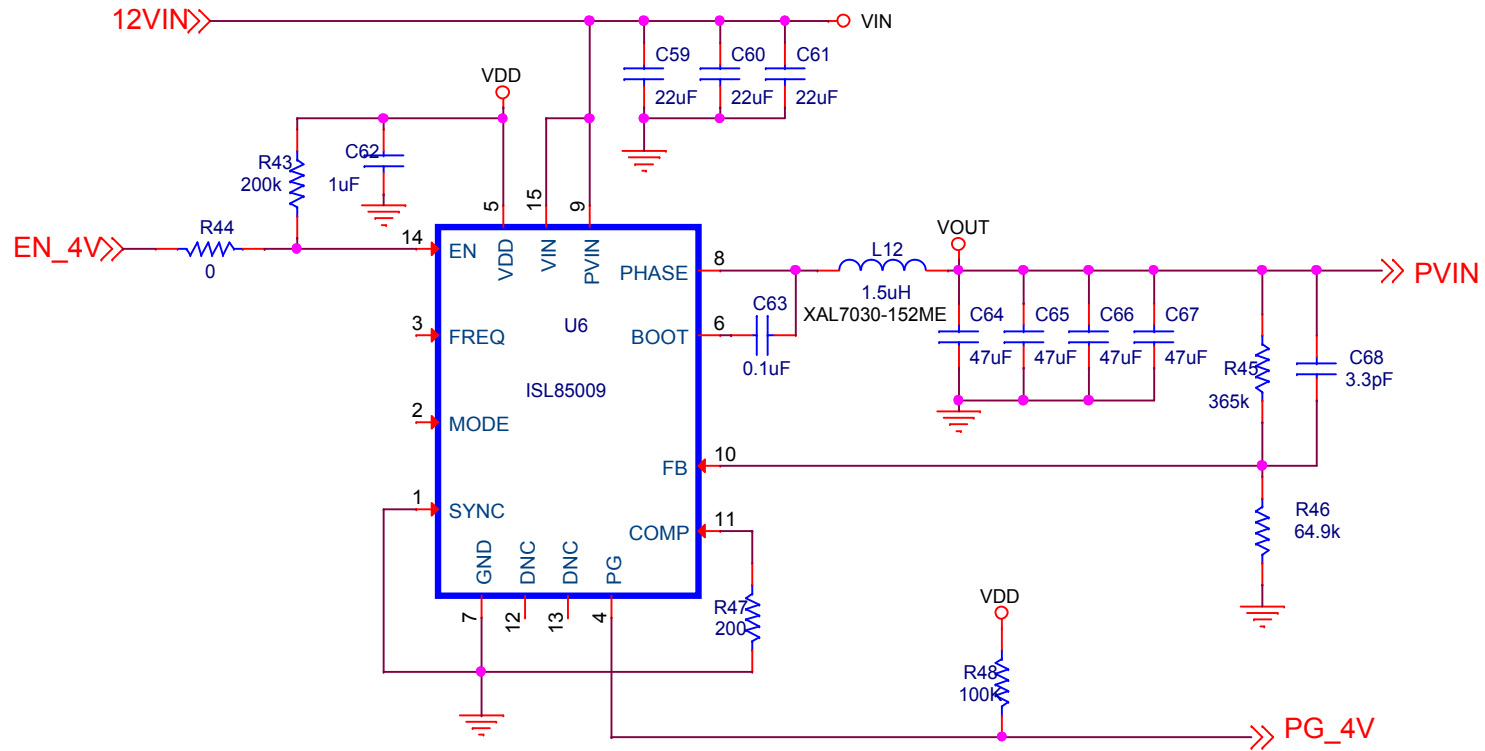


# ISL85009 SINGLE OUTPUT 4V (9A)



|                        |                            |              |
|------------------------|----------------------------|--------------|
| Title                  |                            |              |
| <b>ISL85009_12V_4V</b> |                            |              |
| Size                   | Document Number            | Rev          |
| A                      | <Doc>                      | <b>A</b>     |
| Date:                  | Friday, September 15, 2017 | Sheet 1 of 1 |

## ISL85003 SINGLE OUTPUT FOR VCCIO 3.3V

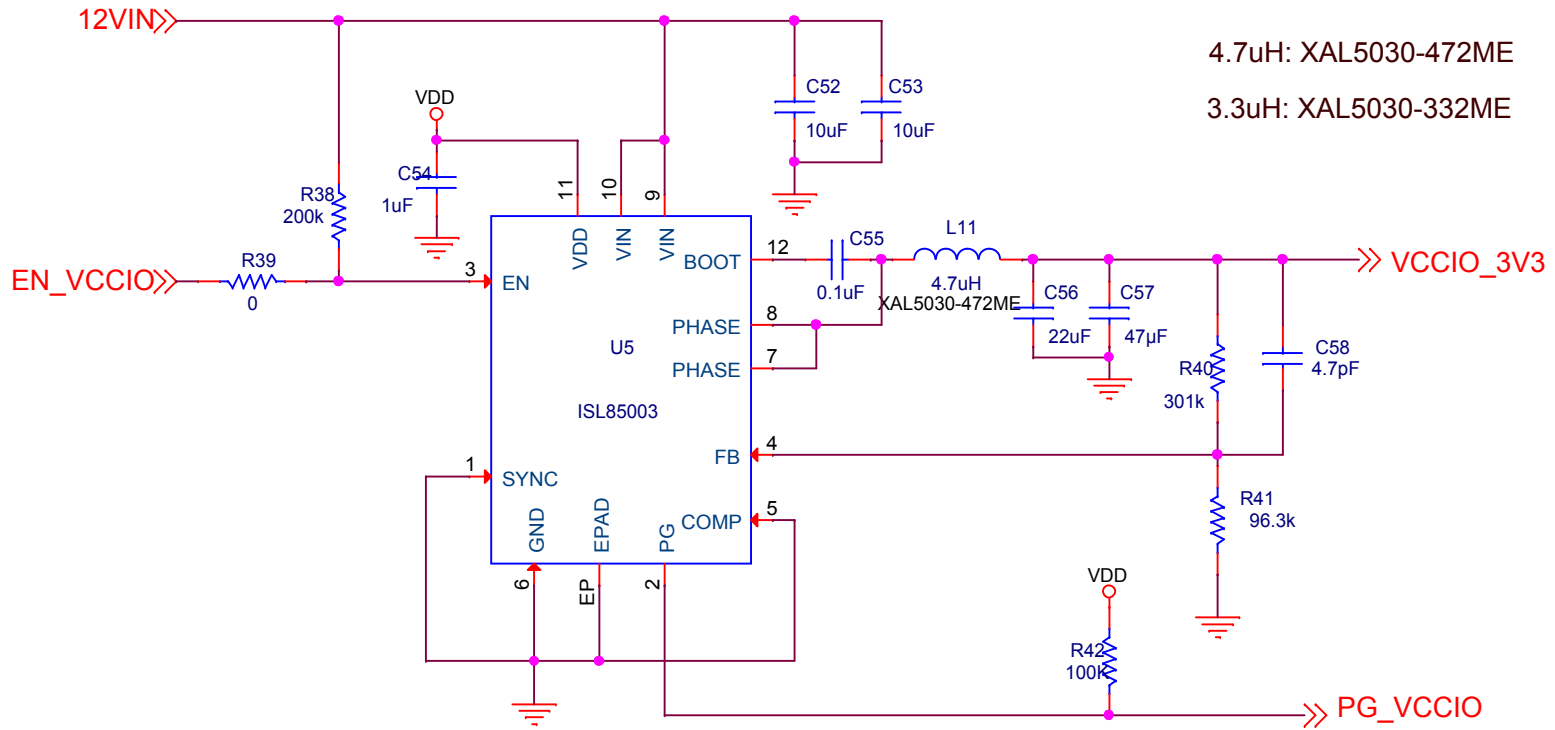
L=3.3uH R=241K Vout=1.8V

L=3.3uH R=142K Vout=2.5V

L=4.7uH R=96.3K Vout=3.3V

4.7uH: XAL5030-472ME

3.3uH: XAL5030-332ME



|                             |                            |                 |
|-----------------------------|----------------------------|-----------------|
| Title                       |                            |                 |
| <b>ISL85003-SINGLE-3.3V</b> |                            |                 |
| Size<br>A                   | Document Number<br><Doc>   | Rev<br><b>A</b> |
| Date:                       | Friday, September 15, 2017 | Sheet 1 of 1    |

# ISL85003 SINGLE OUTPUT FOR VCCIO 2.5V

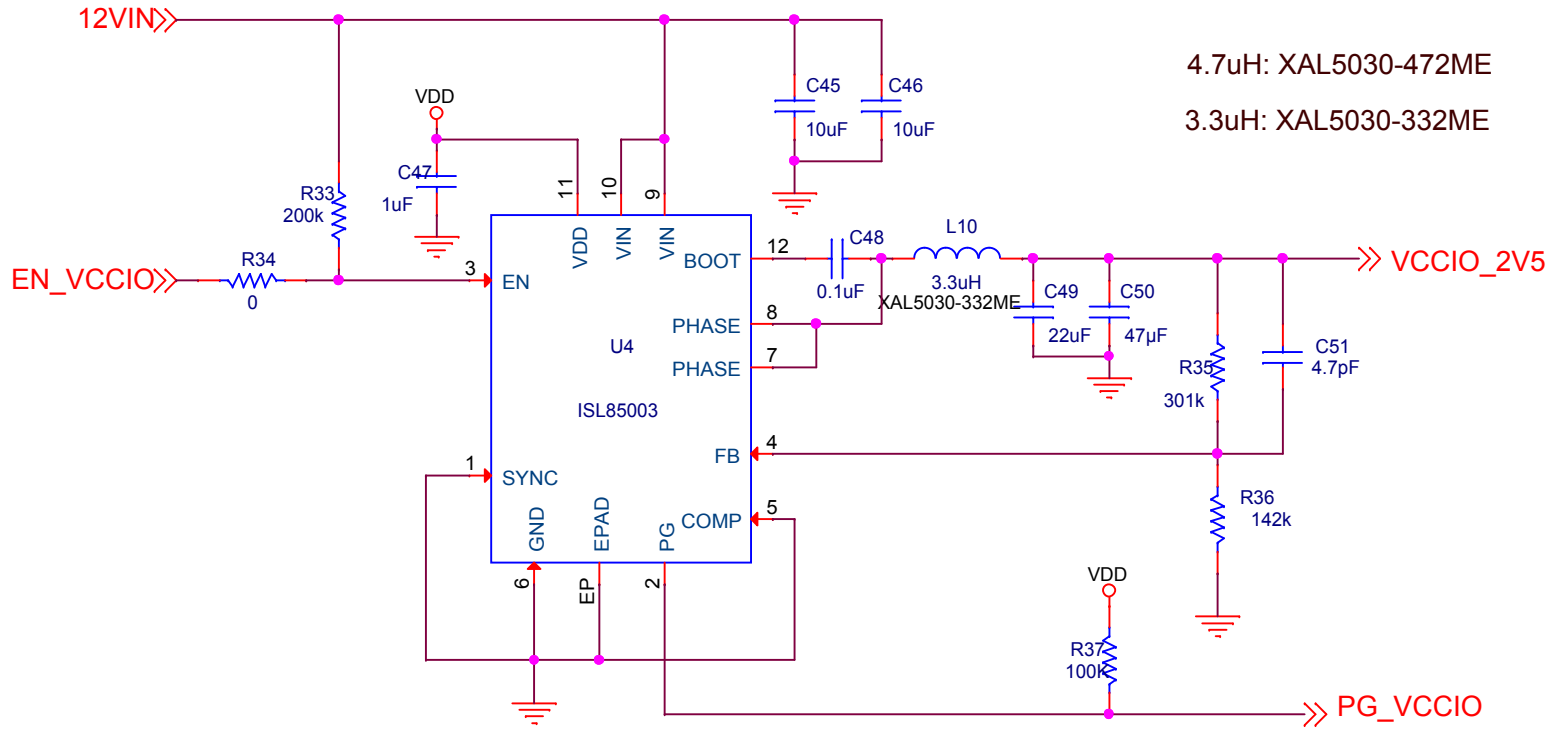
L=3.3uH R=241K Vout=1.8V

L=3.3uH R=142K Vout=2.5V

L=4.7uH R=96.3K Vout=3.3V

4.7uH: XAL5030-472ME

3.3uH: XAL5030-332ME



|                             |                            |                 |
|-----------------------------|----------------------------|-----------------|
| Title                       |                            |                 |
| <b>ISL85003-SINGLE-2.5V</b> |                            |                 |
| Size<br>A                   | Document Number<br><Doc>   | Rev<br><b>A</b> |
| Date:                       | Friday, September 15, 2017 | Sheet 1 of 1    |

## ISL85003 SINGLE OUTPUT FOR VCCIO 1.8V

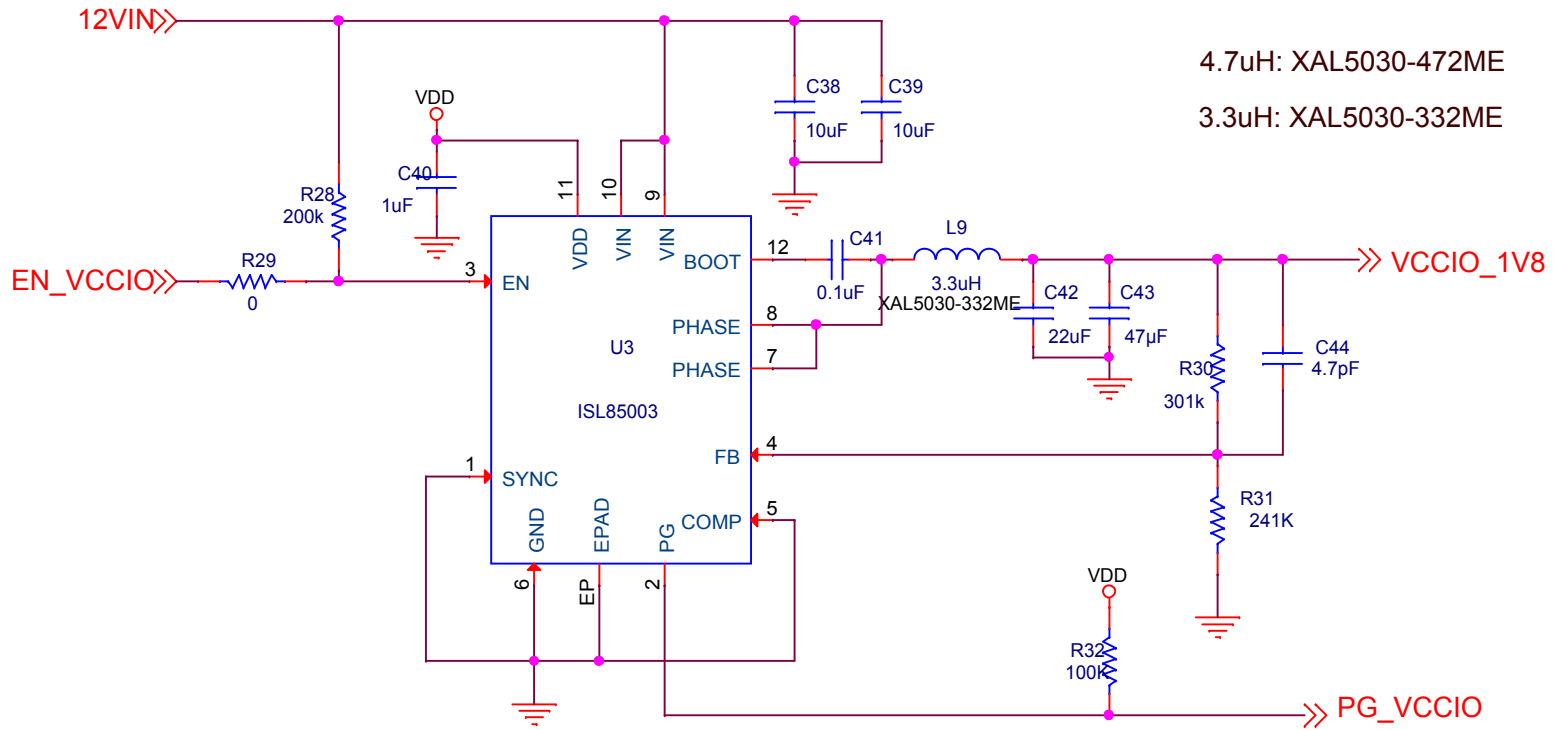
L=3.3uH R=241K Vout=1.8V

L=3.3uH R=142K Vout=2.5V

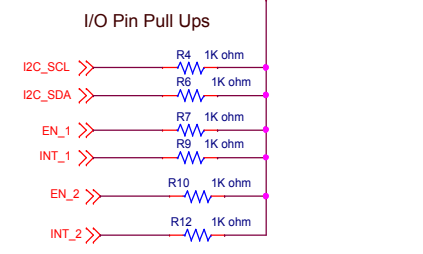
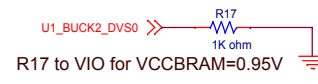
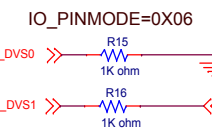
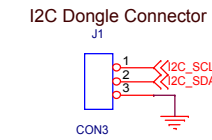
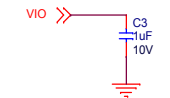
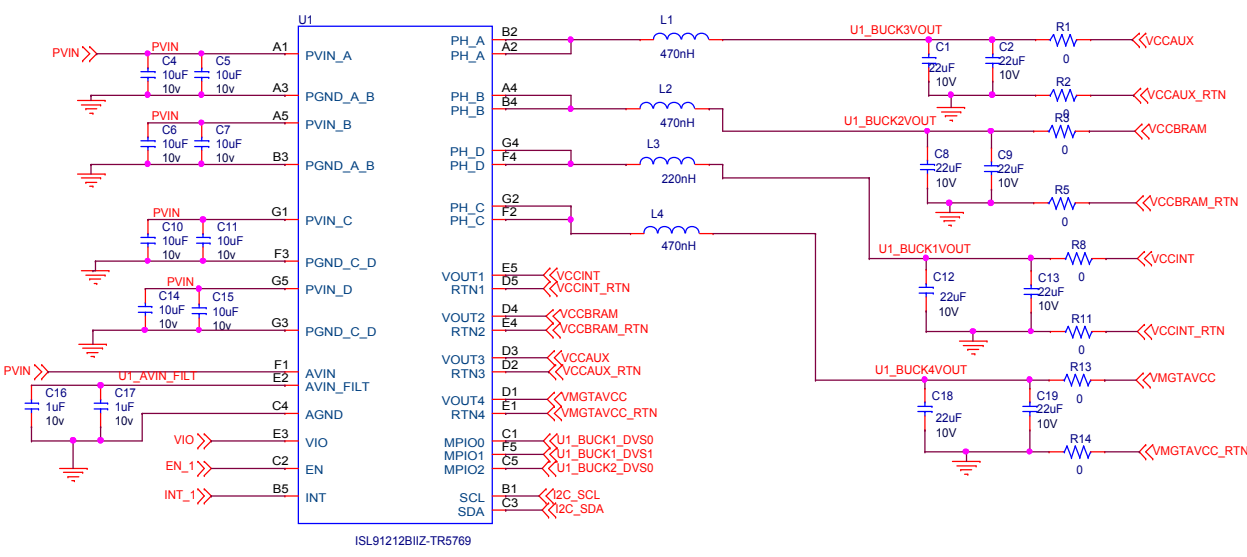
L=4.7uH R=96.3K Vout=3.3V

4.7uH: XAL5030-472ME

3.3uH: XAL5030-332ME



|                             |                            |                 |
|-----------------------------|----------------------------|-----------------|
| Title                       |                            |                 |
| <b>ISL85003-SINGLE-1.8V</b> |                            |                 |
| Size<br>A                   | Document Number<br><Doc>   | Rev<br><b>A</b> |
| Date:                       | Friday, September 15, 2017 | Sheet 1 of 1    |

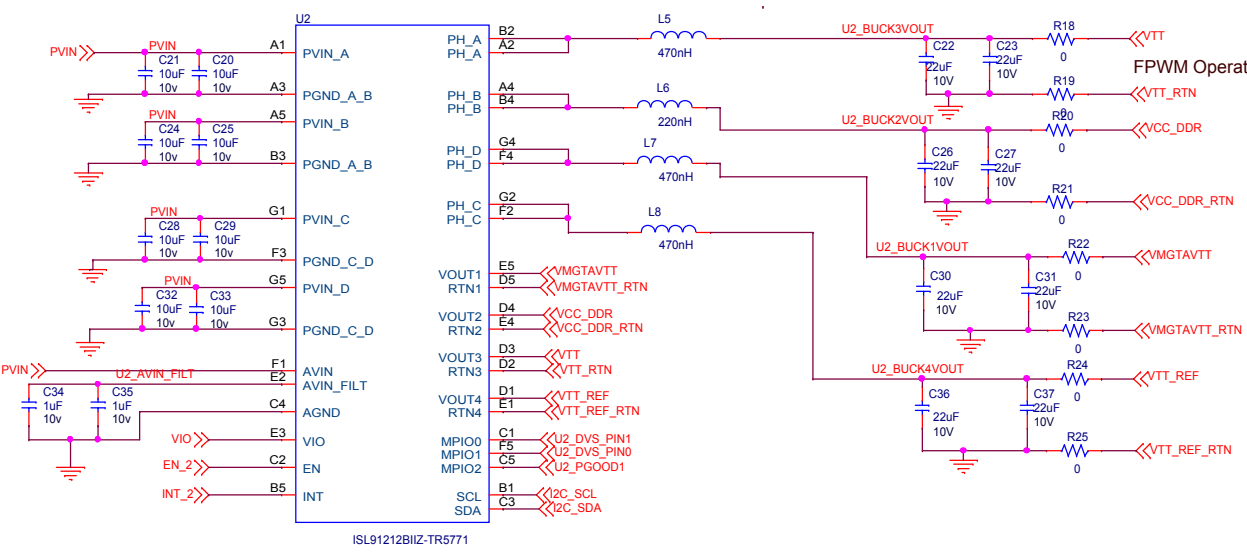


**BUCK1 VCCINT**

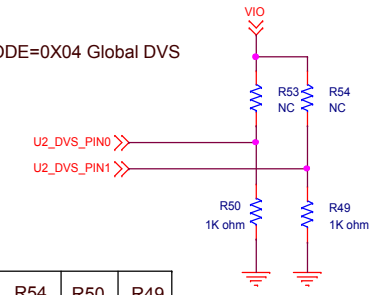
|        |        |              |
|--------|--------|--------------|
| DVS1=0 | DVS0=0 | VCCINT=1.0V  |
| DVS1=0 | DVS0=1 | VCCINT=0.95V |
| DVS1=1 | DVS0=0 | VCCINT=0.9V  |

**BUCK2 VCCBRAM (-2LE Only)**

|        |               |
|--------|---------------|
| DVS0=0 | VCCBRAM=1.0V  |
| DVS0=1 | VCCBRAM=0.95V |



IO\_PINMODE=0X04 Global DVS



|            |     |     |     |     |   |
|------------|-----|-----|-----|-----|---|
| DDR3:      | R53 | R54 | R50 | R49 |   |
| DVS_PIN1=0 |     |     |     |     | VCC_DDR=1.5V VTT=1.5V/2 VTT_REF=1.5V/2    |
| DVS_PIN0=0 | NC  | NC  | 1k  | 1k  |   |
| LV DDR3:   |     |     |     |     |   |
| DVS_PIN1=0 |     |     |     |     | VCC_DDR=1.35V VTT=1.35V/2 VTT_REF=1.35V/2 |
| DVS_PIN0=1 | 1k  | NC  | NC  | 1k  |   |

|                       |                             |         |       |
|-----------------------|-----------------------------|---------|-------|
| Title                 |                             |         |       |
| <b>A7_L3_ISL91212</b> |                             |         |       |
| Size B                | Document Number <Doc>       |         | Rev A |
| Date:                 | Thursday, November 02, 2017 | Sheet 1 | of 1  |