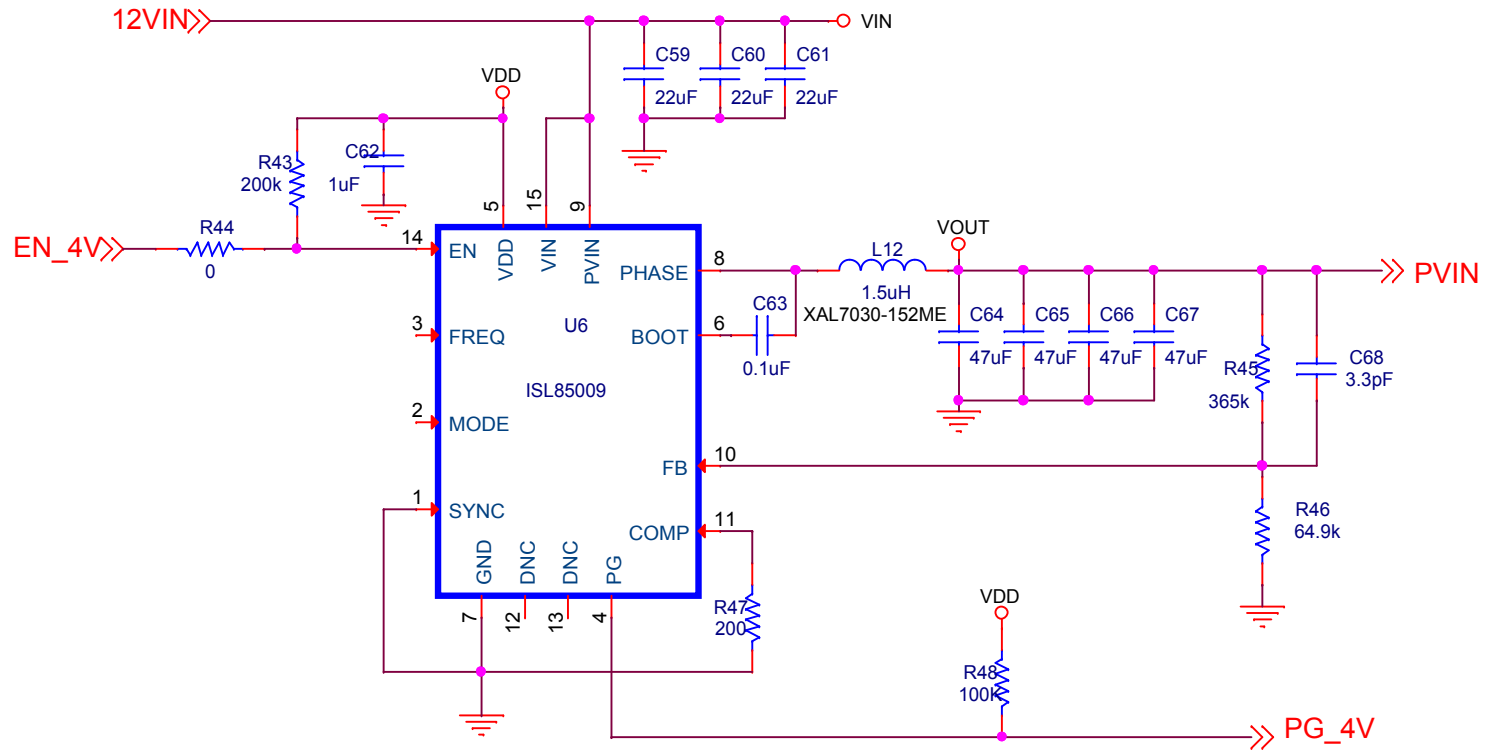


ISL85009 SINGLE OUTPUT 4V (9A)



Title		
ISL85009_12V_4V		
Size A	Document Number <Doc>	Rev A
Date:	Friday, September 15, 2017	Sheet 1 of 1

ISL85003 SINGLE OUTPUT FOR VCCIO 3.3V

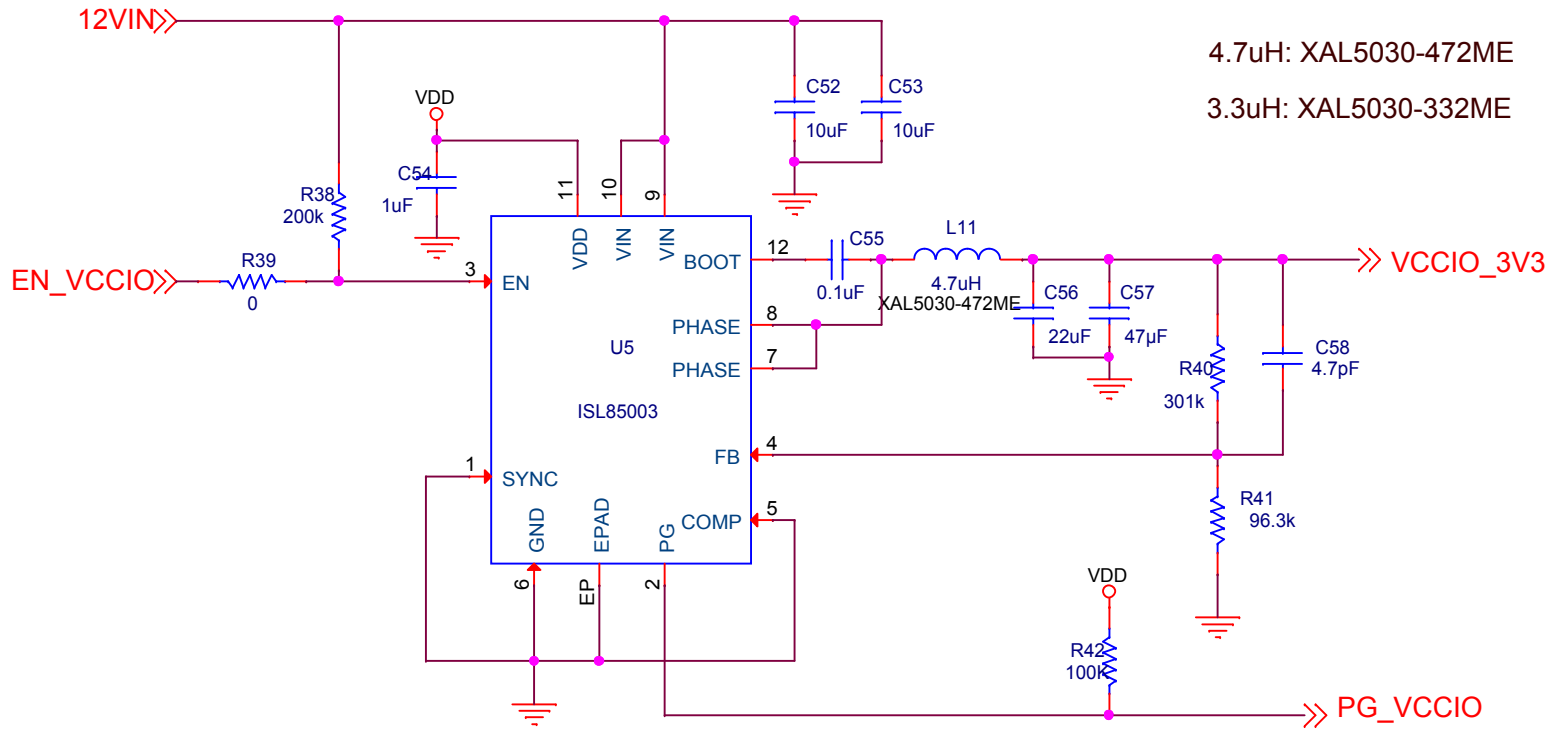
L=3.3uH R=241K Vout=1.8V

L=3.3uH R=142K Vout=2.5V

L=4.7uH R=96.3K Vout=3.3V

4.7uH: XAL5030-472ME

3.3uH: XAL5030-332ME



Title		
ISL85003-SINGLE-3.3V		
Size	Document Number	Rev
A	<Doc>	A
Date:	Friday, September 15, 2017	Sheet 1 of 1

ISL8503 SINGLE OUTPUT FOR VCCIO 2.5V

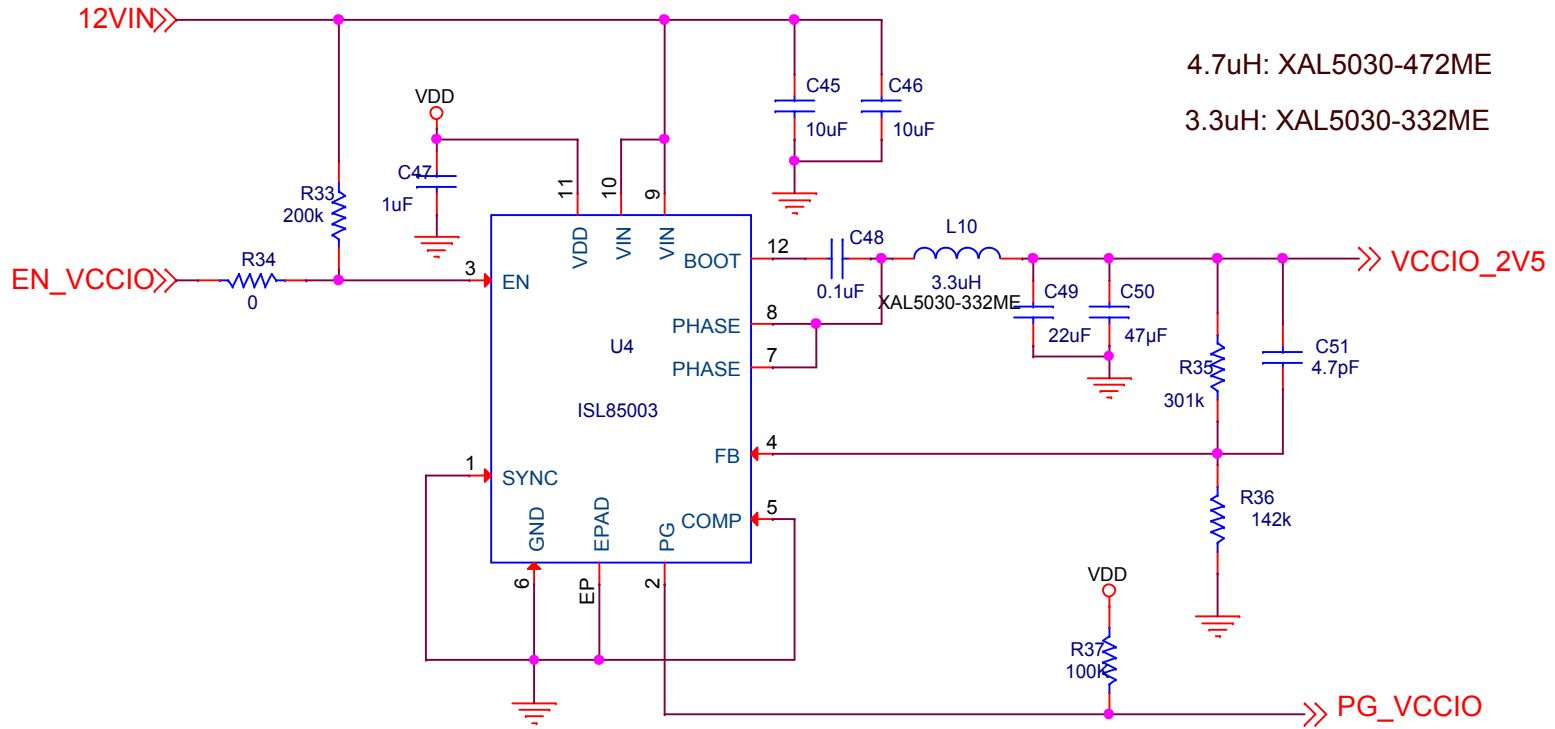
L=3.3uH R=241K Vout=1.8V

L=3.3uH R=142K Vout=2.5V

L=4.7uH R=96.3K Vout=3.3V

4.7uH: XAL5030-472ME

3.3uH: XAL5030-332ME



Title		
ISL8503-SINGLE-2.5V		
Size	Document Number	Rev
A	<Doc>	A
Date:	Friday, September 15, 2017	Sheet 1 of 1

ISL85003 SINGLE OUTPUT FOR VCCIO 1.8V

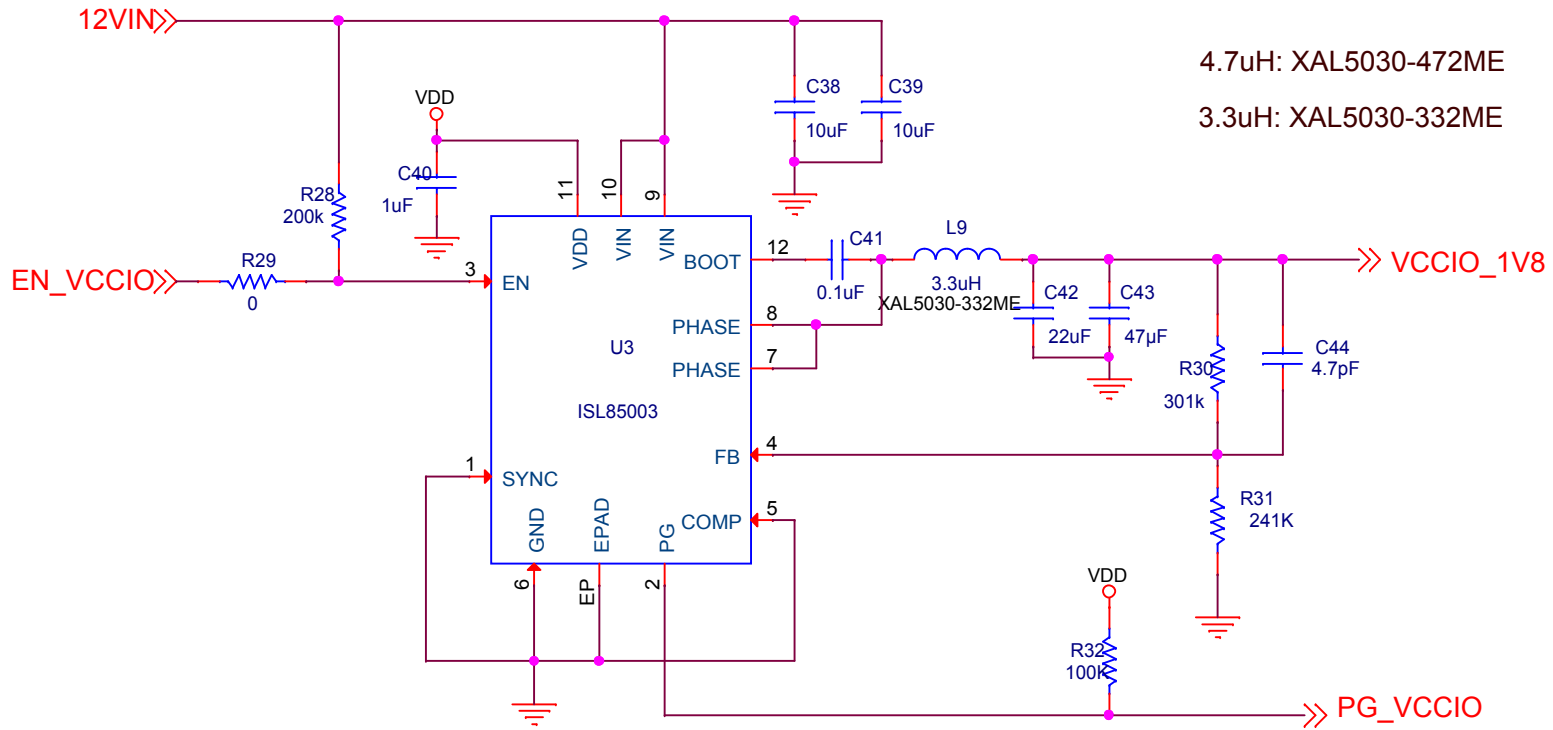
L=3.3uH R=241K Vout=1.8V

L=3.3uH R=142K Vout=2.5V

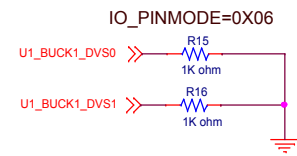
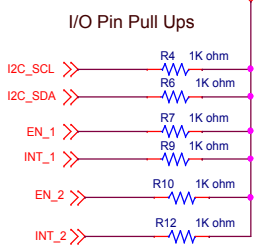
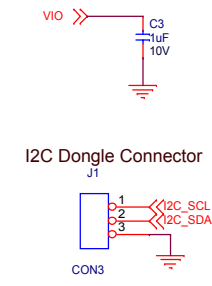
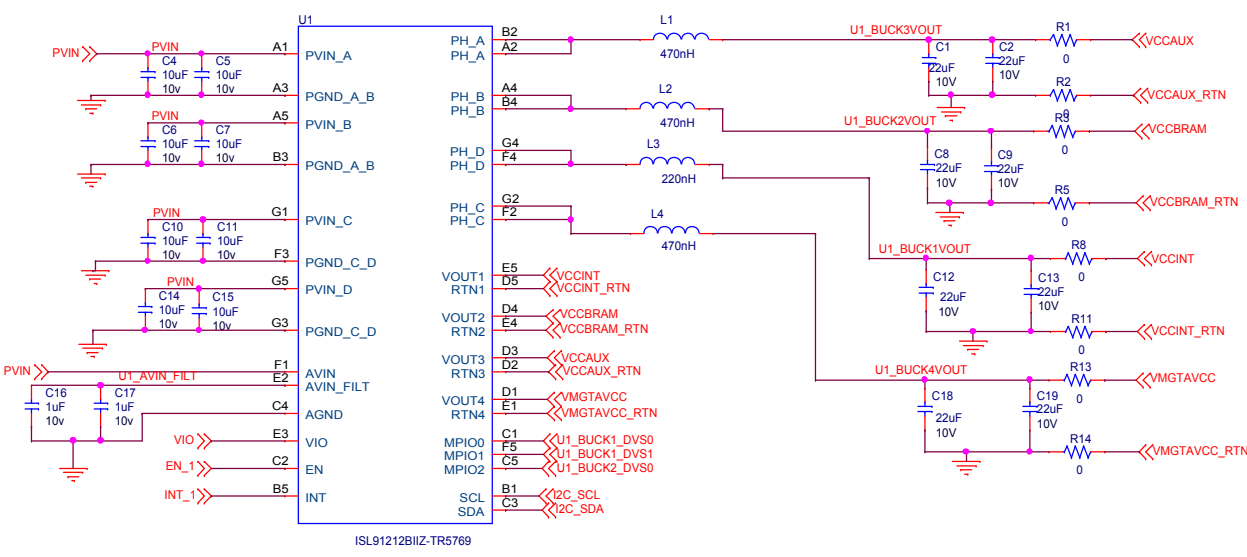
L=4.7uH R=96.3K Vout=3.3V

4.7uH: XAL5030-472ME

3.3uH: XAL5030-332ME

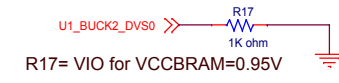


Title		
ISL85003-SINGLE-1.8V		
Size A	Document Number <Doc>	Rev A
Date:	Friday, September 15, 2017	Sheet 1 of 1



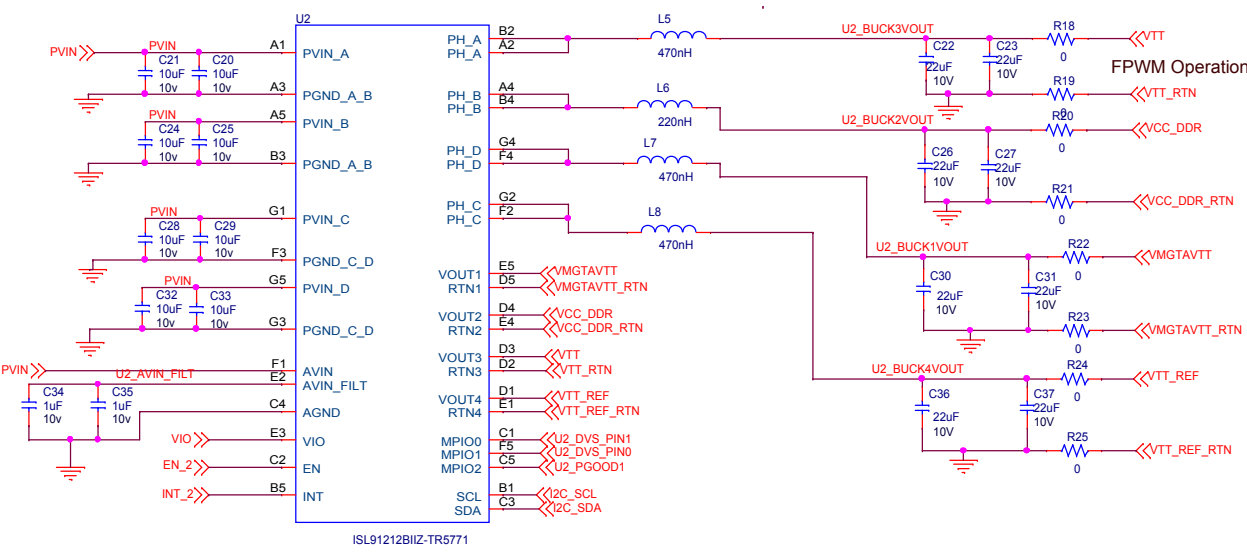
BUCK1 VCCINT

DVS1=0	DVS0=0	VCCINT=1.0V
DVS1=0	DVS0=1	VCCINT=0.95V
DVS1=1	DVS0=0	VCCINT=0.9V

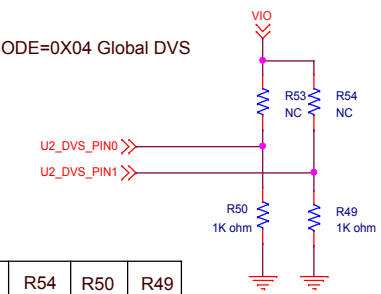


BUCK2 VCCBRAM (-2LE Only)

DVS0=0	VCCBRAM=1.0V
DVS0=1	VCCBRAM=0.95V



IO_PINMODE=0X04 Global DVS



DDR3:	R53	R54	R50	R49
DVS_PIN1=0				
DVS_PIN0=0	NC	NC	1k	1k
LV_DDR3:				
DVS_PIN1=0	1k	NC	NC	1k
DVS_PIN0=1				

VCC_DDR=1.5V VTT=1.5V/2 VTT_REF=1.5V/2

VCC_DDR=1.35V VTT=1.35V/2 VTT_REF=1.35V/2

Title		
A7_L1_ISL91212		
Size B	Document Number <Doc>	Rev A
Date:	Thursday, November 02, 2017	Sheet 1 of 1