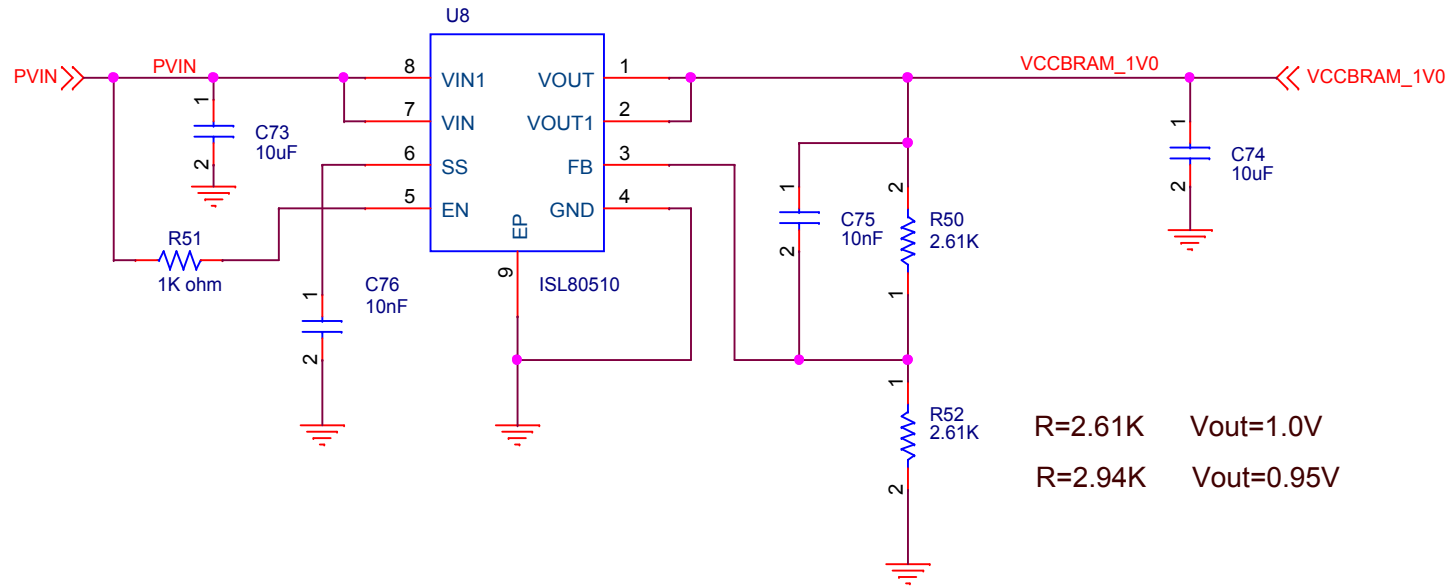
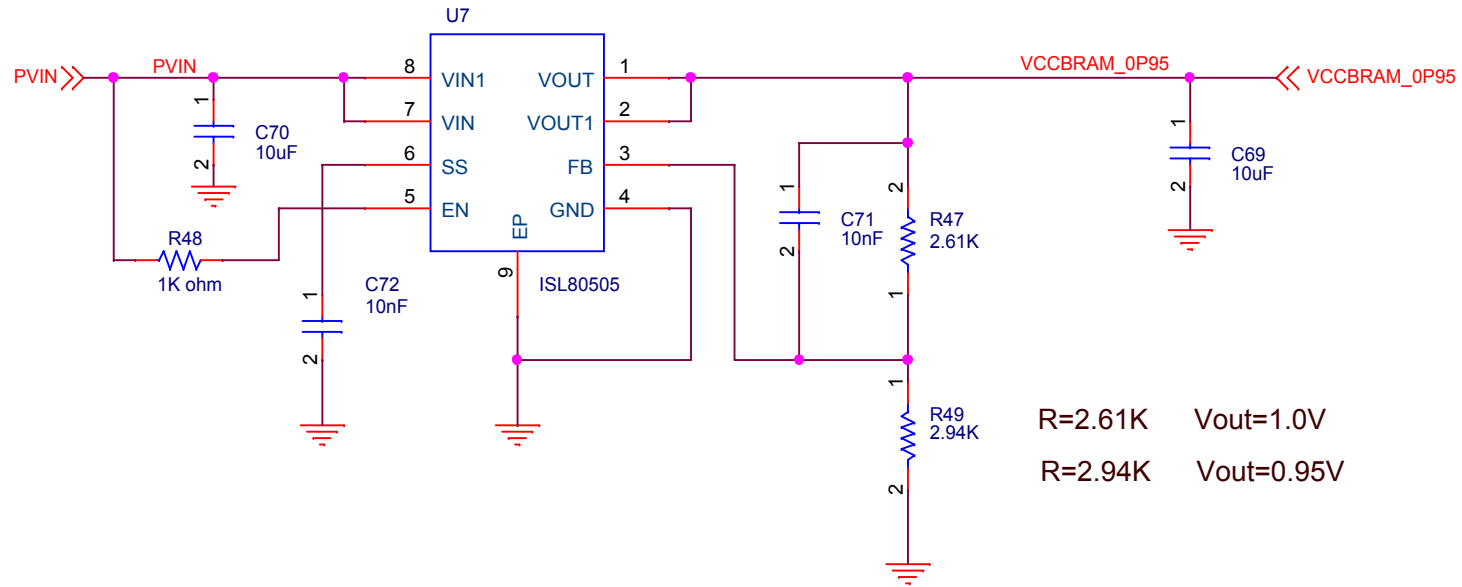


# ISL80505 SINGLE OUTPUT 1.0V



Title		
<b>ISL80505 For VCCBRAM 1.0V (Optional)</b>		
Size	Document Number	Rev
A	<Doc>	<b>A</b>
Date:	Friday, September 15, 2017	Sheet 1 of 1

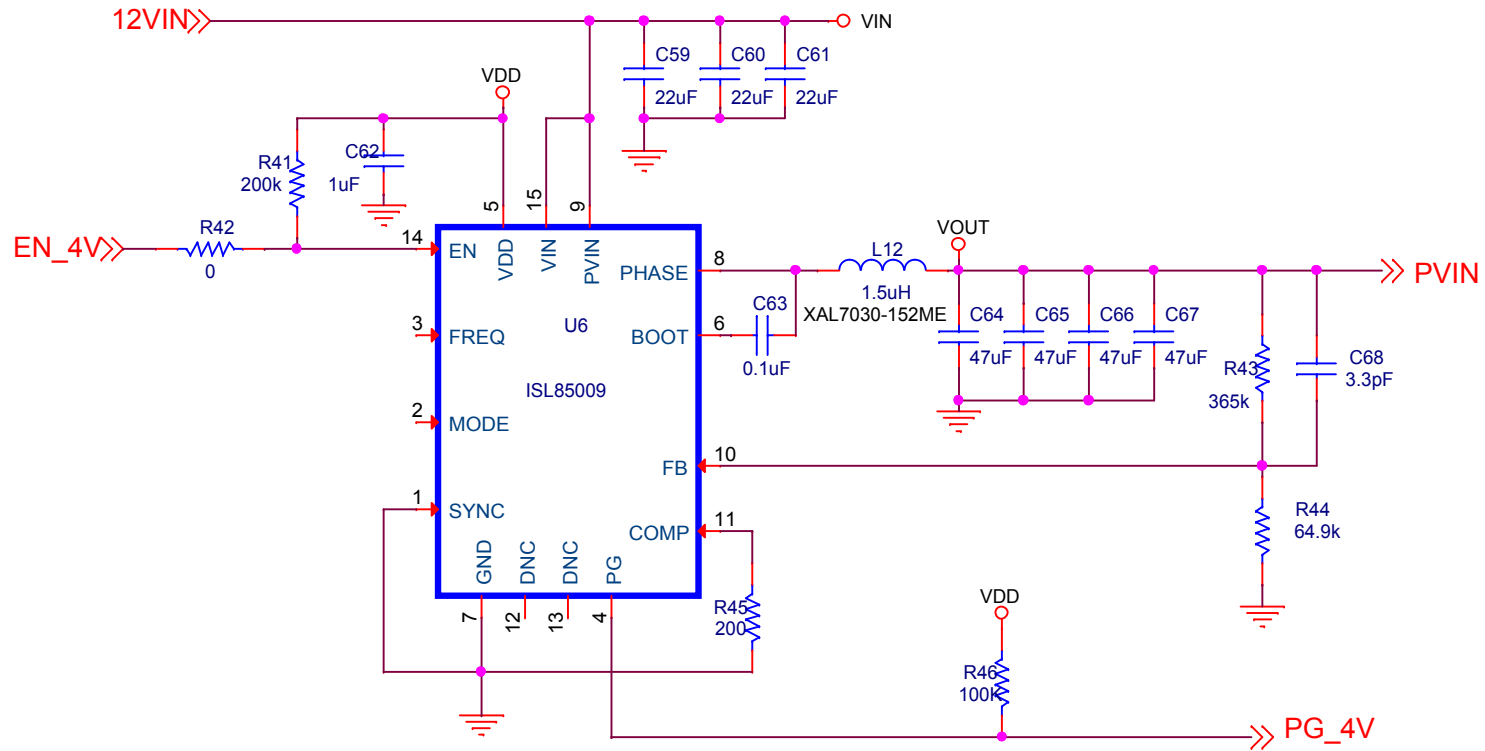
# ISL80505 SINGLE OUTPUT 0.95V



R=2.61K    Vout=1.0V  
R=2.94K    Vout=0.95V

Title		
<b>ISL80505 For VCCBRAM 0.95V (Optional)</b>		
Size	Document Number	Rev
A	<Doc>	<b>A</b>
Date:	Friday, September 15, 2017	Sheet 1 of 1

# ISL85009 SINGLE OUTPUT 4V (9A)



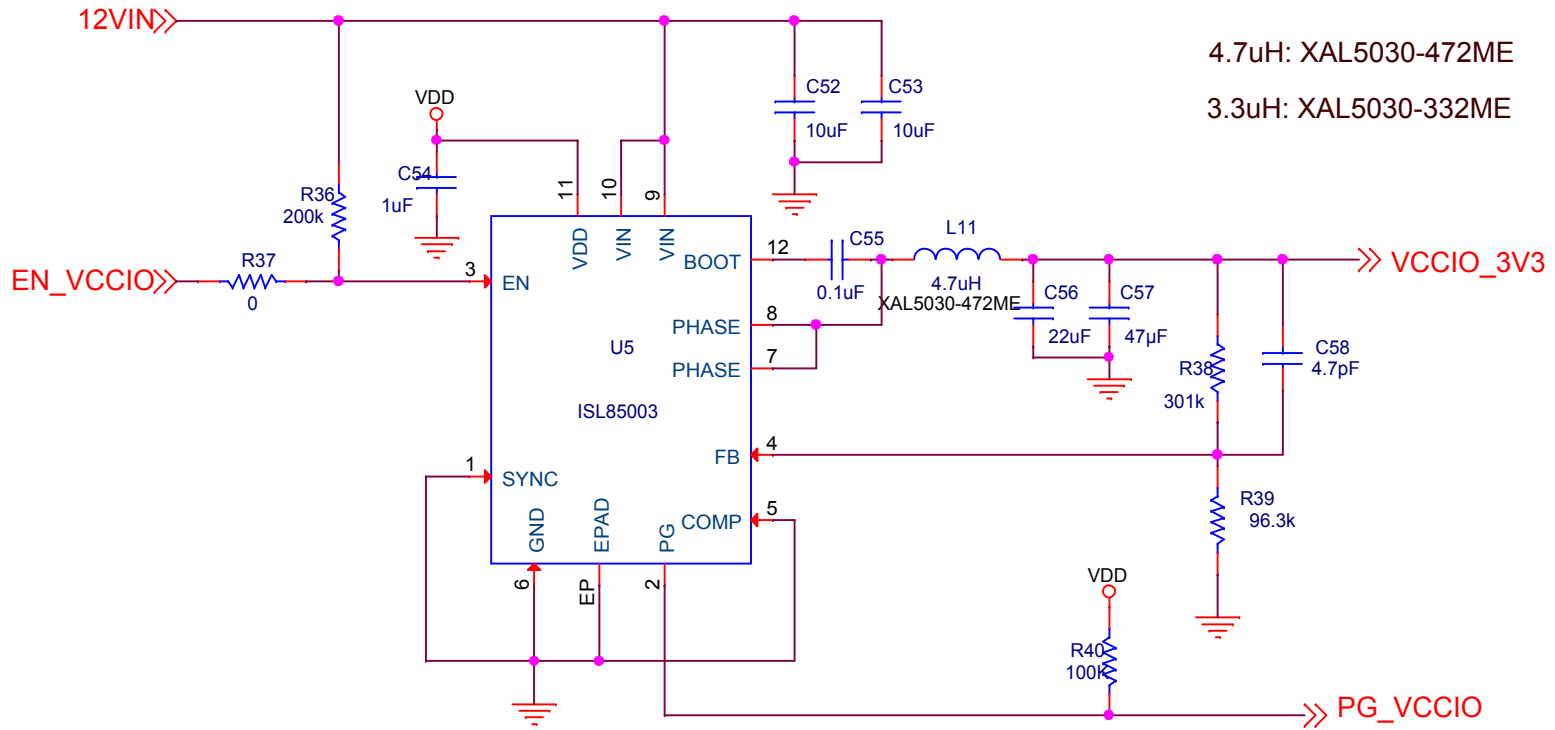
Title		
<b>ISL85009_12V_4V</b>		
Size A	Document Number <Doc>	Rev <b>A</b>
Date:	Friday, September 15, 2017	Sheet 1 of 1

## ISL85003 SINGLE OUTPUT FOR VCCIO 3.3V

L=3.3uH R=241K Vout=1.8V

L=3.3uH R=142K Vout=2.5V

L=4.7uH R=96.3K Vout=3.3V



4.7uH: XAL5030-472ME

3.3uH: XAL5030-332ME

Title		
<b>ISL85003-SINGLE-3.3V</b>		
Size A	Document Number <Doc>	Rev <b>A</b>
Date:	Friday, September 15, 2017	Sheet 1 of 1

## ISL85003 SINGLE OUTPUT FOR VCCIO 2.5V

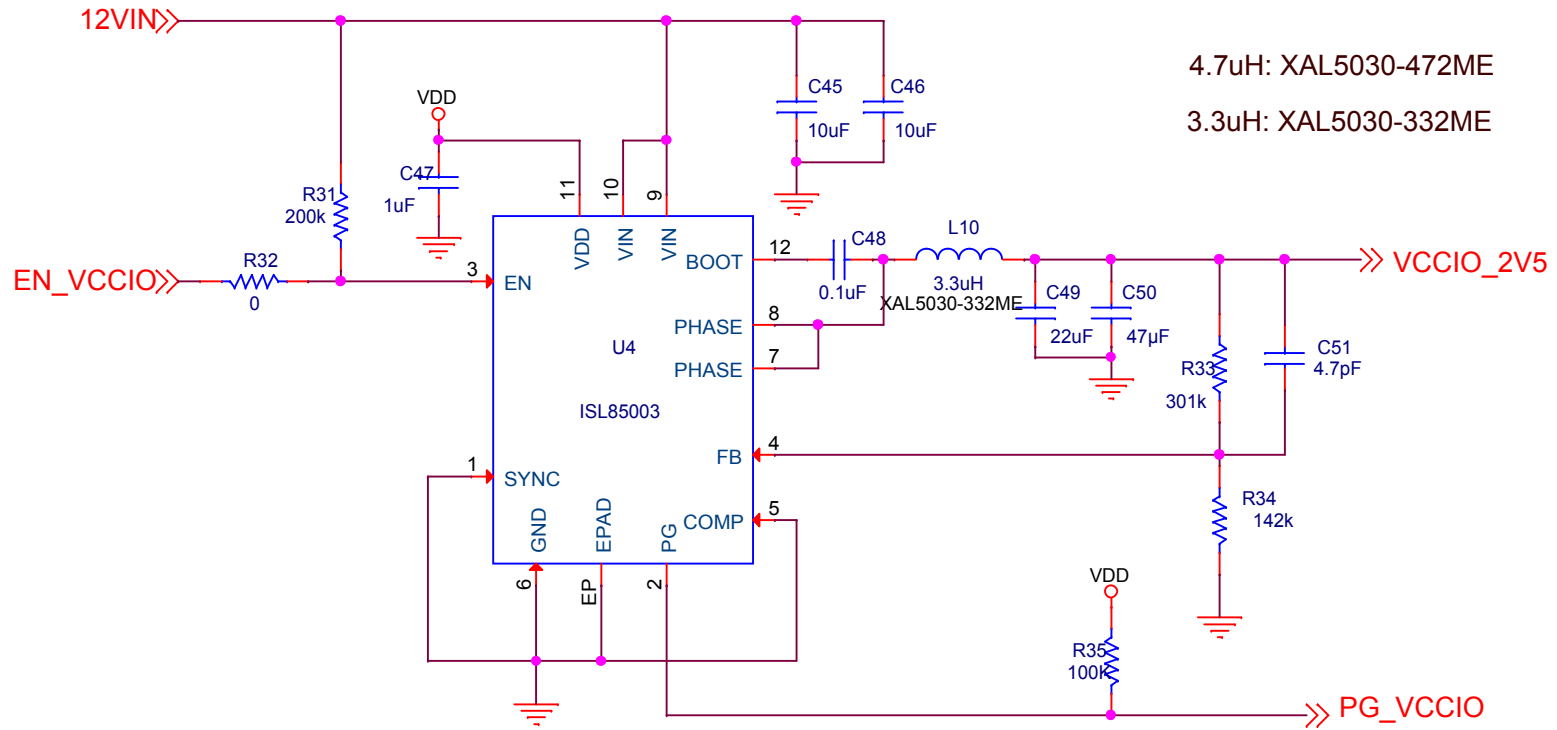
L=3.3uH R=241K Vout=1.8V

L=3.3uH R=142K Vout=2.5V

L=4.7uH R=96.3K Vout=3.3V

4.7uH: XAL5030-472ME

3.3uH: XAL5030-332ME



Title		
<b>ISL85003-SINGLE-2.5V</b>		
Size A	Document Number <Doc>	Rev <b>A</b>
Date:	Friday, September 15, 2017	Sheet 1 of 1

## ISL85003 SINGLE OUTPUT FOR VCCIO 1.8V

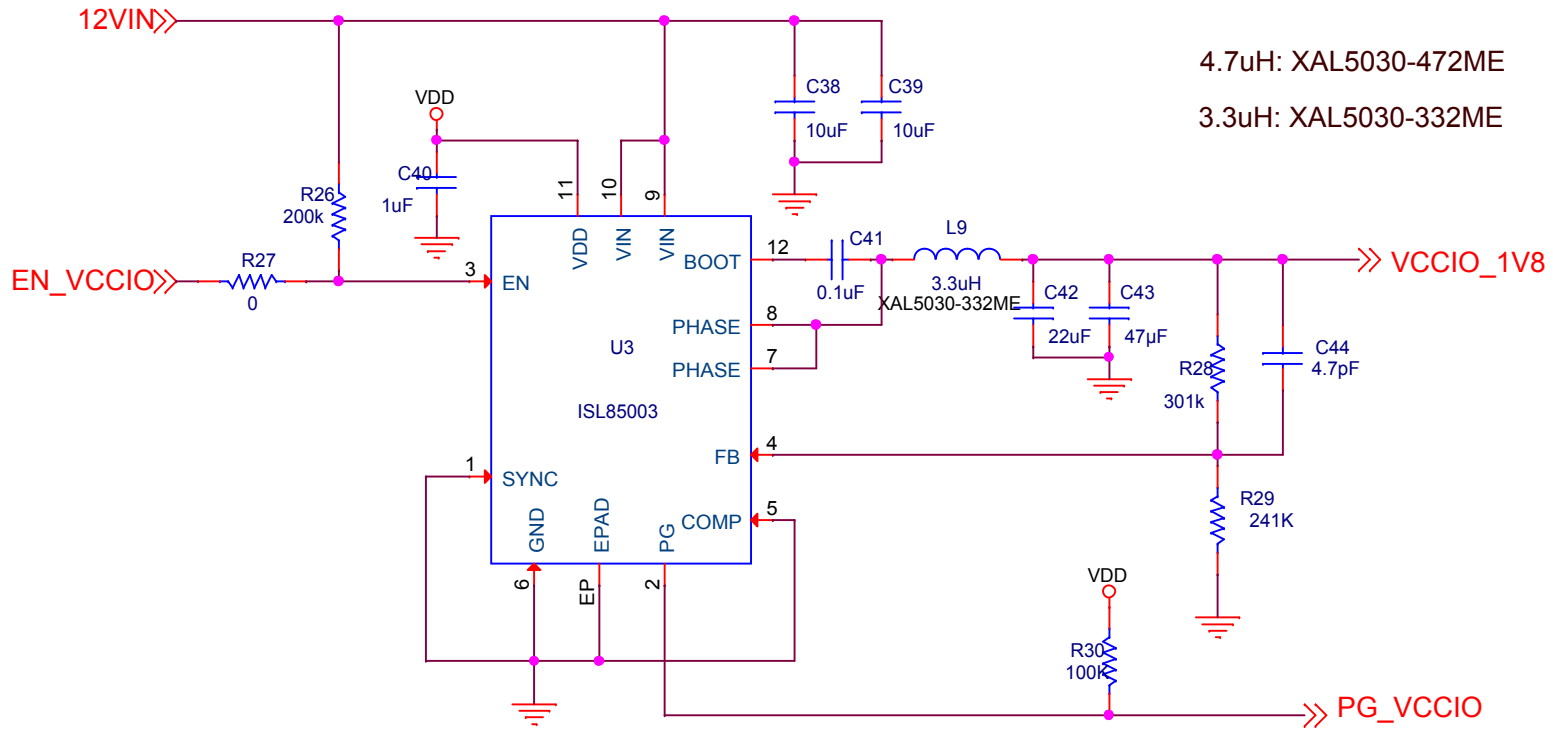
L=3.3uH    R=241K    Vout=1.8V

L=3.3uH    R=142K    Vout=2.5V

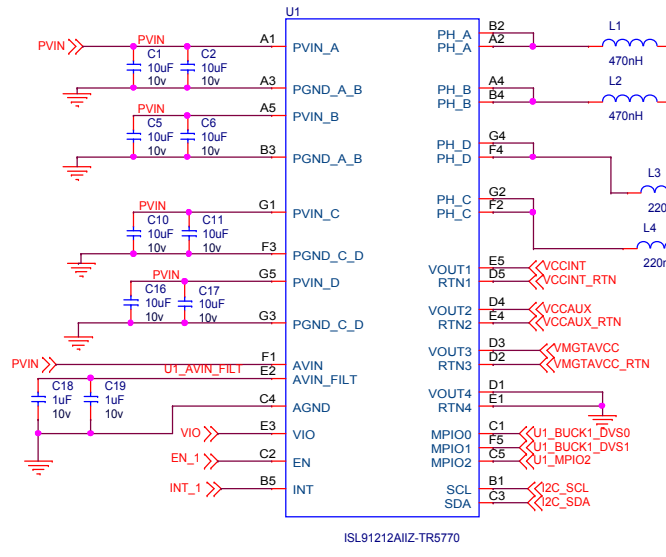
L=4.7uH    R=96.3K    Vout=3.3V

4.7uH: XAL5030-472ME

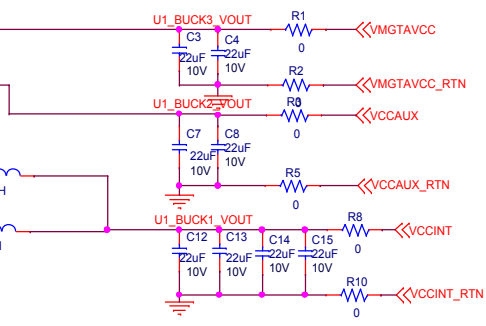
3.3uH: XAL5030-332ME



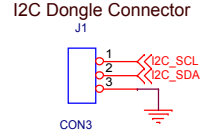
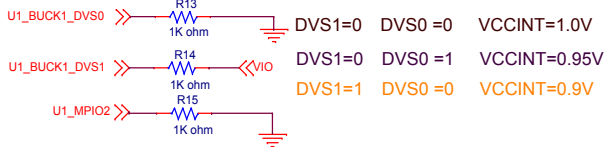
Title		
<b>ISL85003-SINGLE-1.8V</b>		
Size A	Document Number <Doc>	Rev <b>A</b>
Date:	Friday, September 15, 2017	Sheet 1 of 1



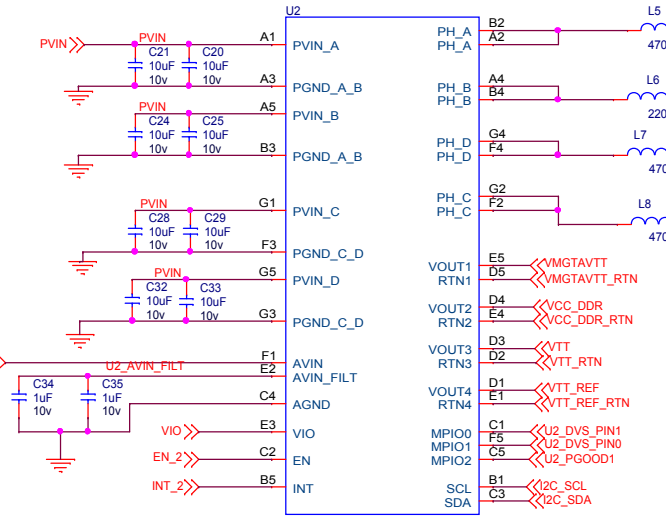
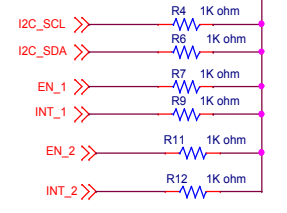
ISL9121AIIZ-TR5770



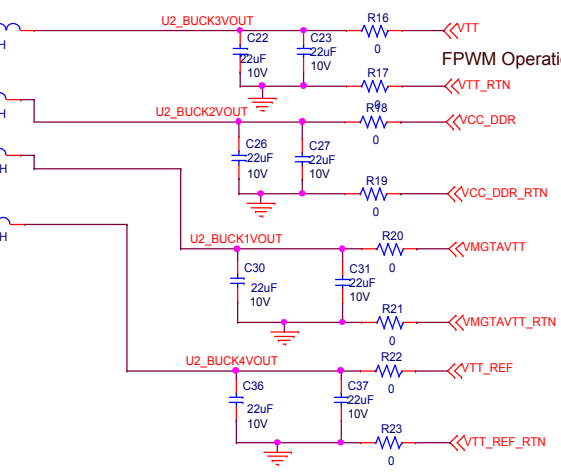
IO\_PINMODE=0X06



I/O Pin Pull Ups

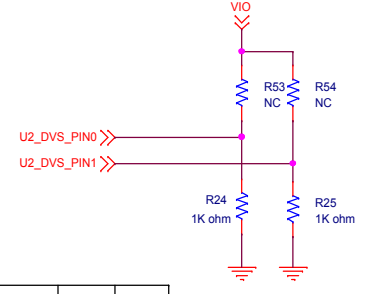


ISL9121BIIZ-TR5771



FPWM Operation

IO\_PINMODE=0X04 Global DVS



DDR3:	R53	R54	R24	R25	
DVS_PIN1=0	NC	NC	1k	1k	VCC_DDR=1.5V VTT=1.5V/2 VTT_REF=1.5V/2
DVS_PIN0=0	1k	NC	NC	1k	VCC_DDR=1.35V VTT=1.35V/2 VTT_REF=1.35V/2
LV DDR3:					
DVS_PIN1=0	1k	NC	NC	1k	
DVS_PIN0=1					

Title			
<b>A7_H3_ISL91212</b>			
Size B	Document Number <Doc>	Rev A	
Date:	Thursday, November 02, 2017	Sheet	1 of 1