

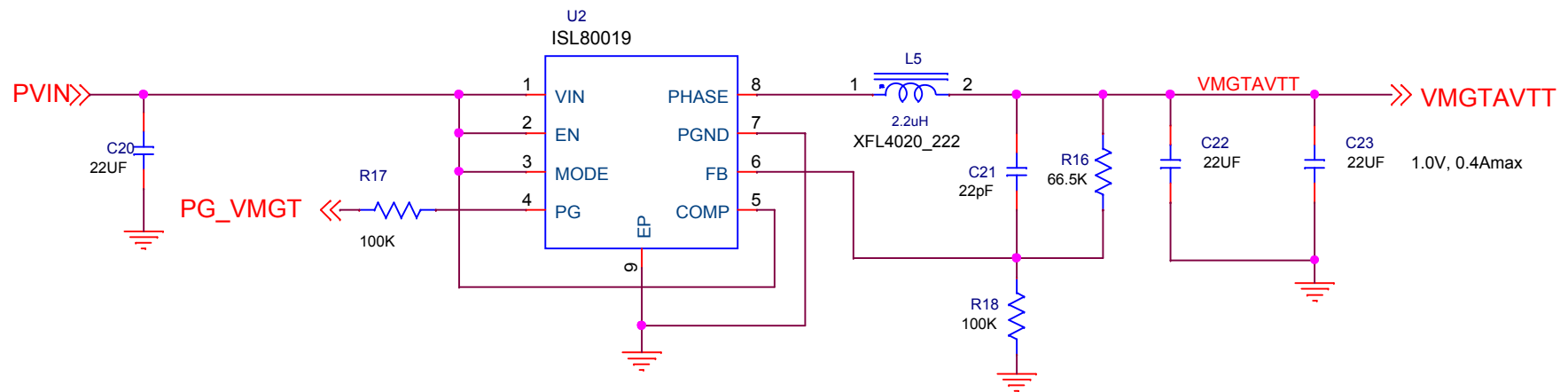
IO\_PINMODE=0X06

U1\_BUCK1\_DVS0 >> R13 1K ohm >> DVS1=0 DVS0 =0 VCCINT=1.0V

U1\_BUCK1\_DVS1 >> R14 1K ohm >> VIO >> DVS1=0 DVS0 =1 VCCINT=0.95V

U1\_MPIO2 >> R15 1K ohm >> DVS1=1 DVS0 =0 VCCINT=0.9V

Title		
<b>A7_H3_ISL91212</b>		
Size B	Document Number <Doc>	Rev <b>A</b>
Date:	Thursday, November 02, 2017	Sheet 1 of 8



Title		
<b>ISL80019_1.0V</b>		
Size A	Document Number <Doc>	Rev A
Date:	Friday, October 20, 2017	Sheet 2 of 8

## ISL85003 SINGLE OUTPUT FOR VCCIO 1.8V

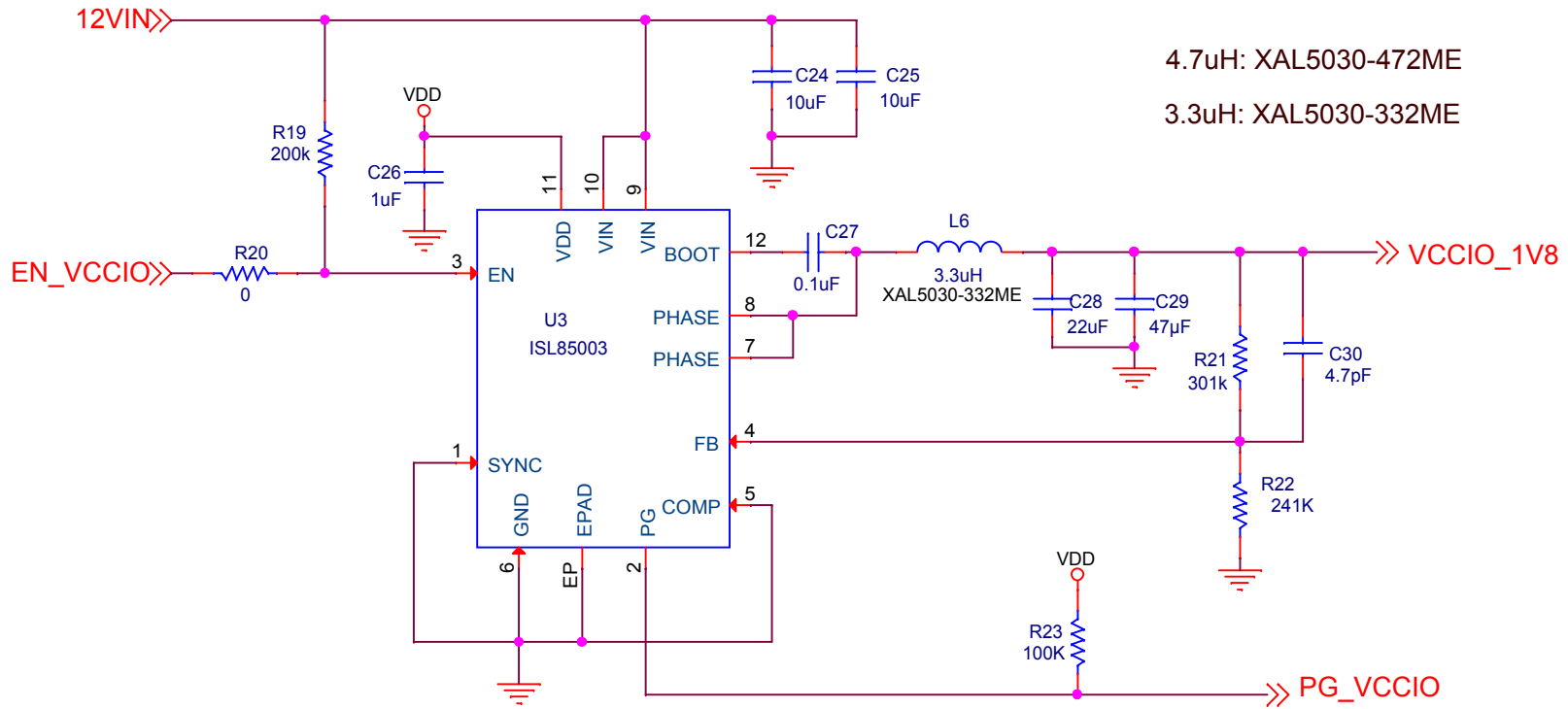
L=3.3uH R=241K Vout=1.8V

L=3.3uH R=142K Vout=2.5V

L=4.7uH R=96.3K Vout=3.3V

4.7uH: XAL5030-472ME

3.3uH: XAL5030-332ME



Title		
<b>ISL85003-SINGLE-1.8V</b>		
Size A	Document Number <Doc>	Rev <b>A</b>
Date:	Friday, October 20, 2017	Sheet 3 of 8

## ISL85003 SINGLE OUTPUT FOR VCCIO 2.5V

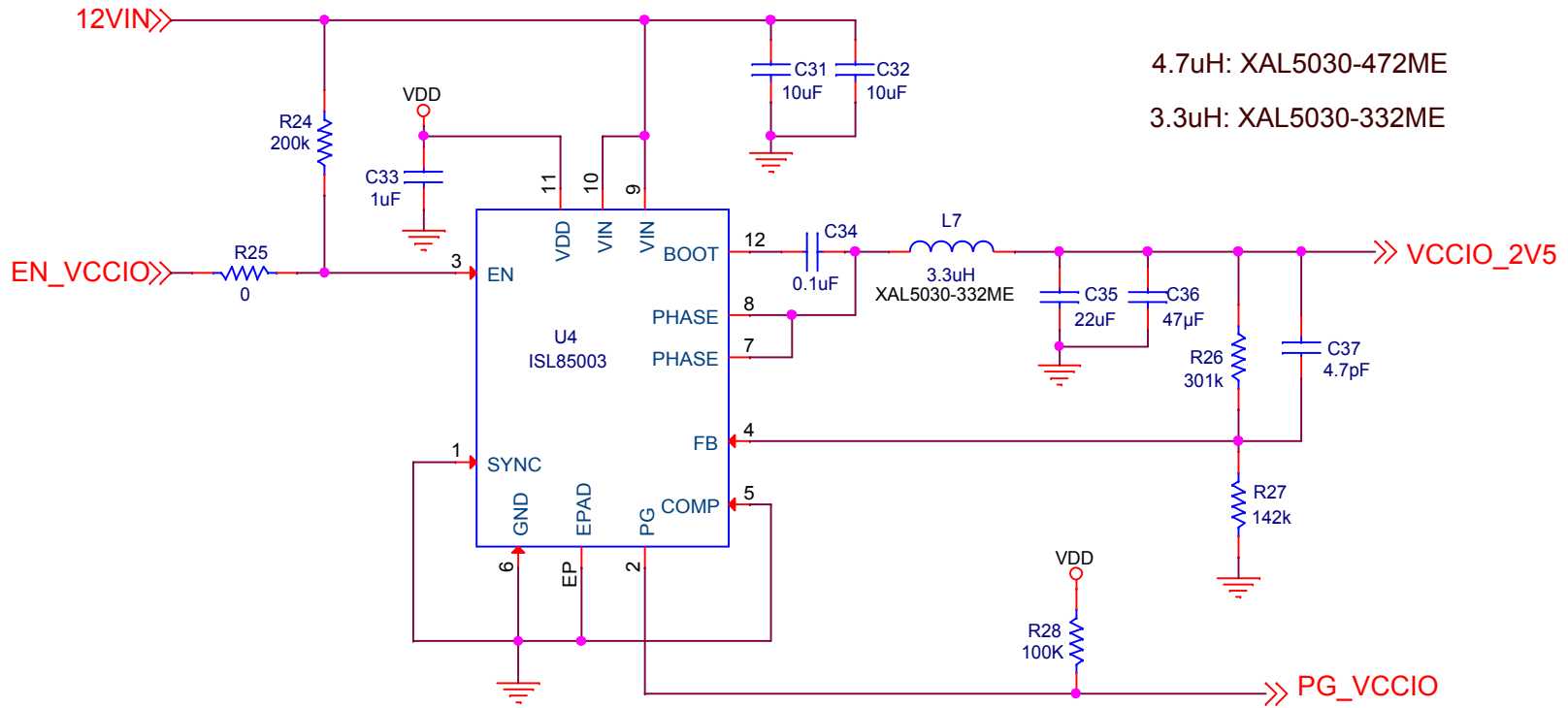
L=3.3uH R=241K Vout=1.8V

L=3.3uH R=142K Vout=2.5V

L=4.7uH R=96.3K Vout=3.3V

4.7uH: XAL5030-472ME

3.3uH: XAL5030-332ME



Title		
<b>ISL85003-SINGLE-2.5V</b>		
Size A	Document Number <Doc>	Rev <b>A</b>
Date:	Friday, October 20, 2017	Sheet 4 of 8

# ISL85003 SINGLE OUTPUT FOR VCCIO 3.3V

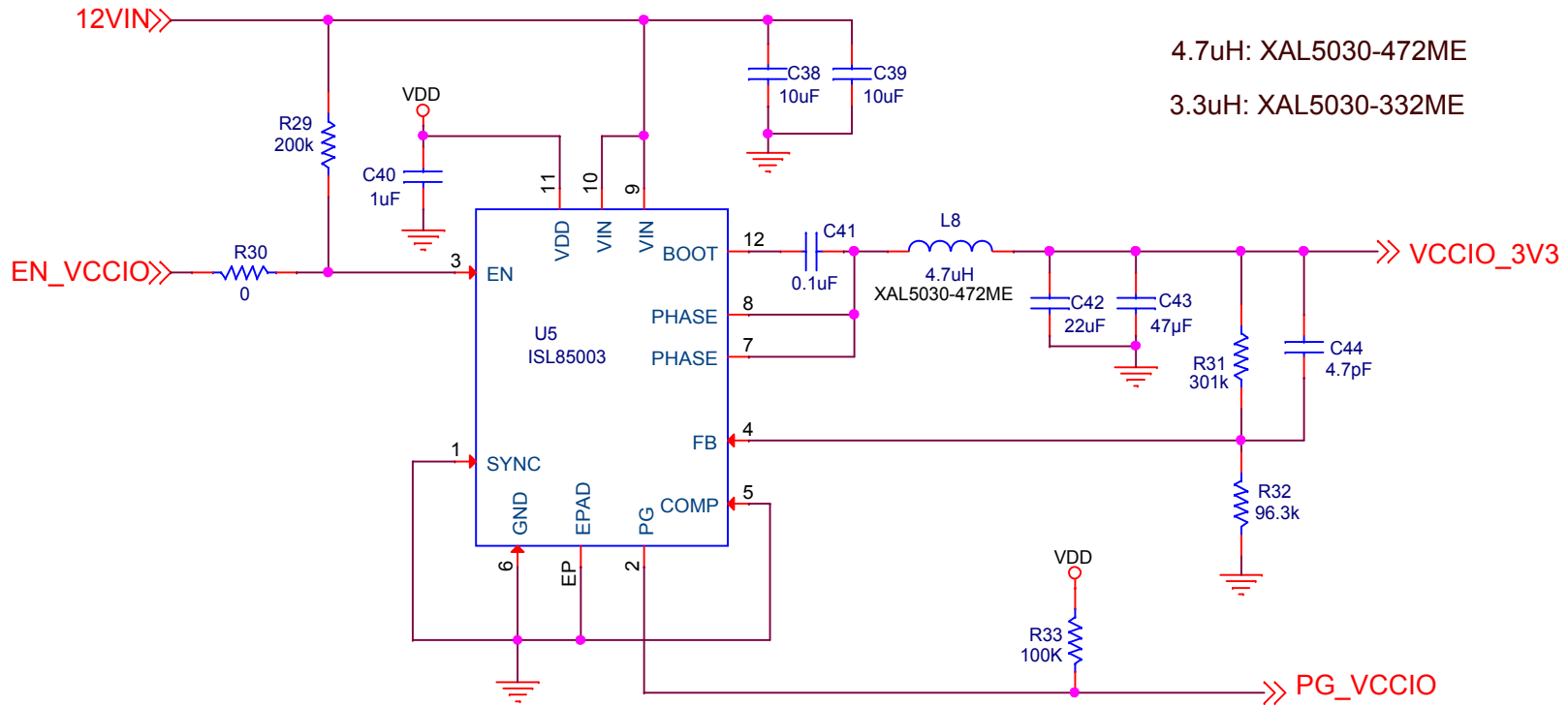
L=3.3uH R=241K Vout=1.8V

L=3.3uH R=142K Vout=2.5V

L=4.7uH R=96.3K Vout=3.3V

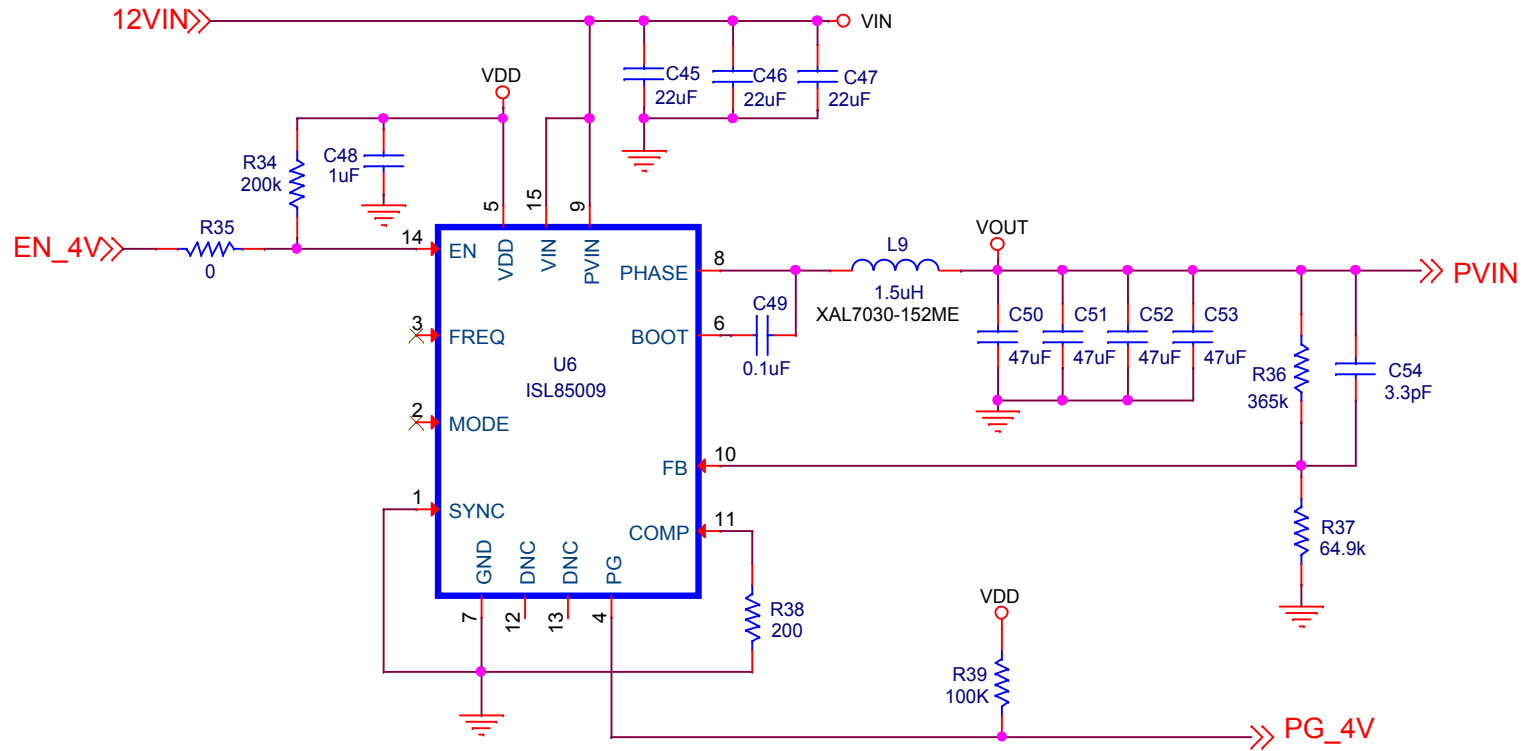
4.7uH: XAL5030-472ME

3.3uH: XAL5030-332ME



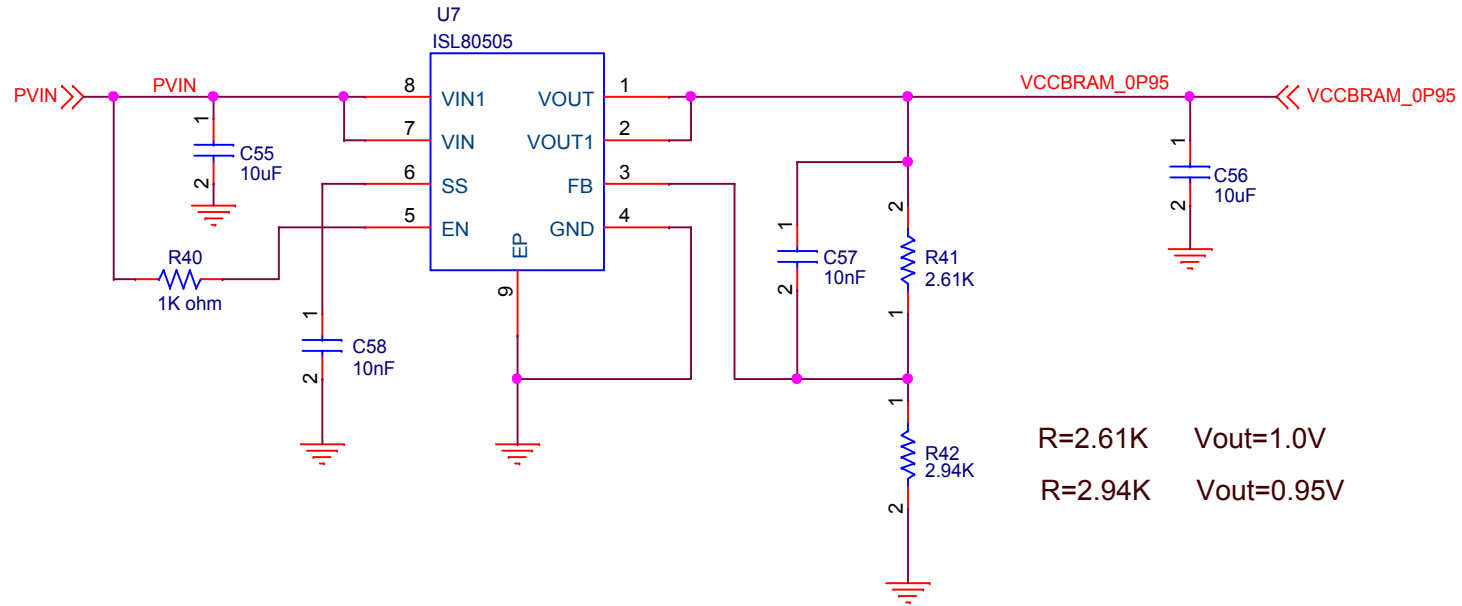
Title		
<b>ISL85003-SINGLE-3.3V</b>		
Size A	Document Number <Doc>	Rev <b>A</b>
Date:	Friday, October 20, 2017	Sheet 5 of 8

# ISL85009 SINGLE OUTPUT 4V (9A)



Title		
<b>ISL85009_12V_4V</b>		
Size A	Document Number <Doc>	Rev <b>A</b>
Date:	Friday, October 20, 2017	Sheet 6 of 8

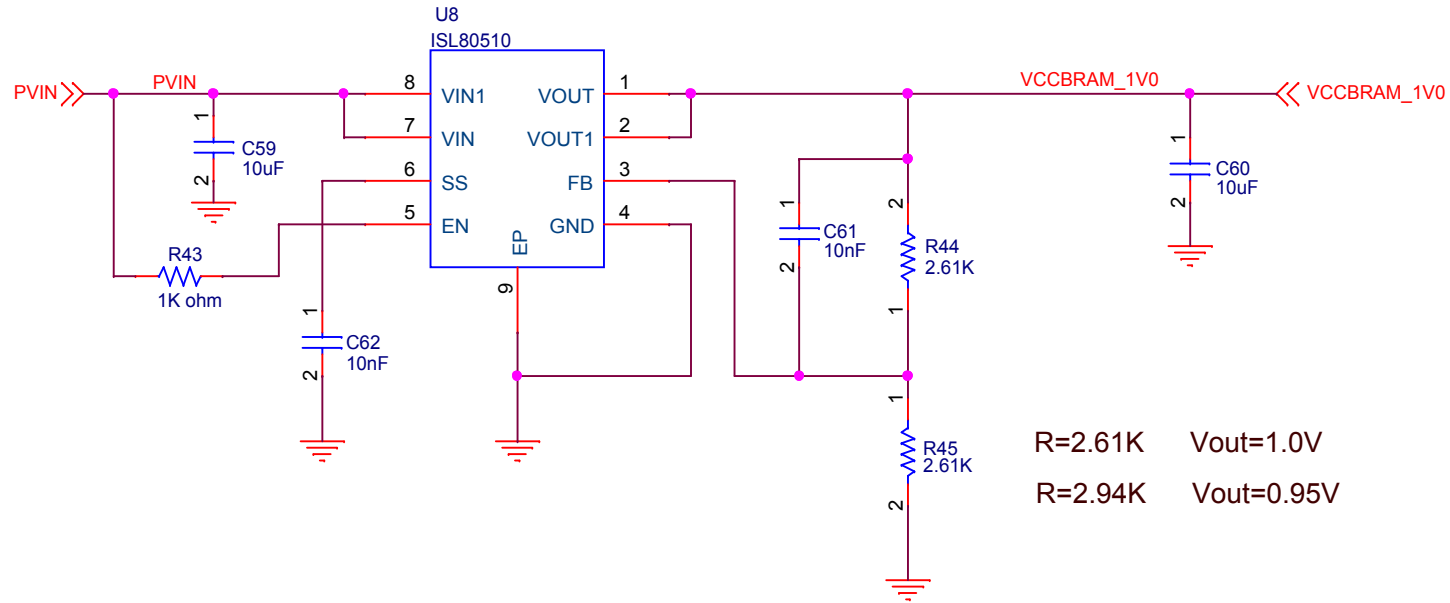
## ISL80505 SINGLE OUTPUT 0.95V



R=2.61K    Vout=1.0V  
R=2.94K    Vout=0.95V

Title		
<b>ISL80505 For VCCBRAM 0.95V (Optional)</b>		
Size	Document Number	Rev
A	<Doc>	<b>A</b>
Date:	Friday, October 20, 2017	Sheet 7 of 8

# ISL80505 SINGLE OUTPUT 1.0V



Title		
<b>ISL80505 For VCCBRAM 1.0V (Optional)</b>		
Size	Document Number	Rev
A	<Doc>	<b>A</b>
Date:	Friday, October 20, 2017	Sheet 8 of 8