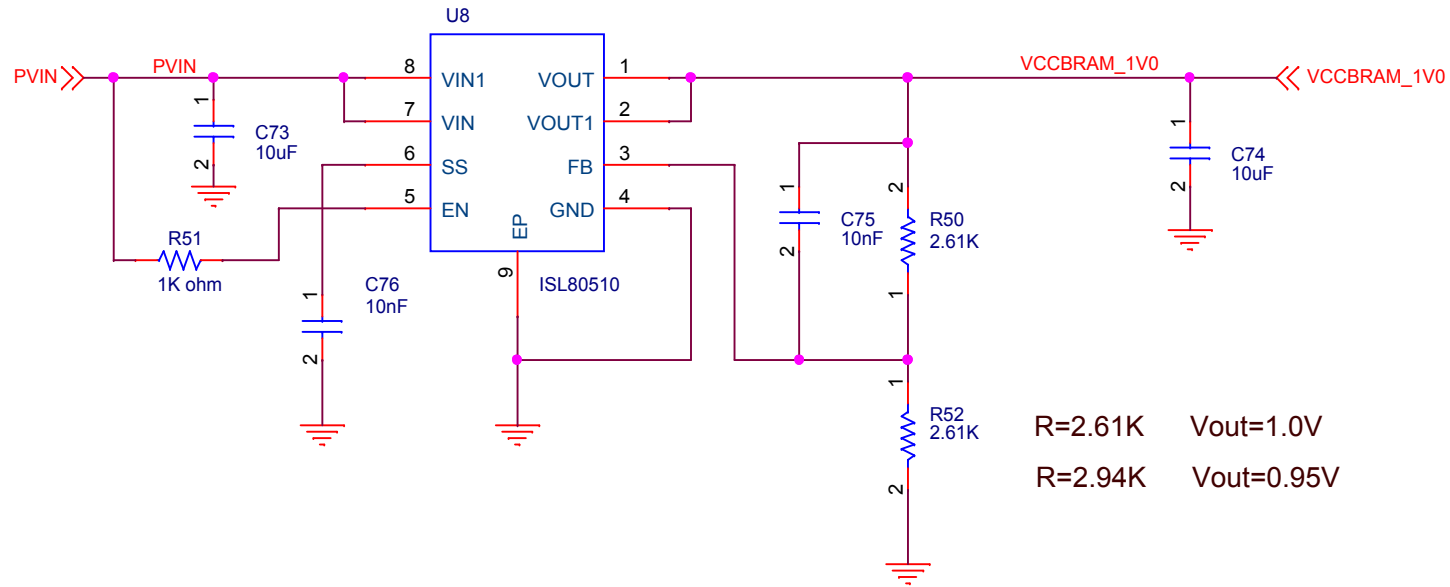
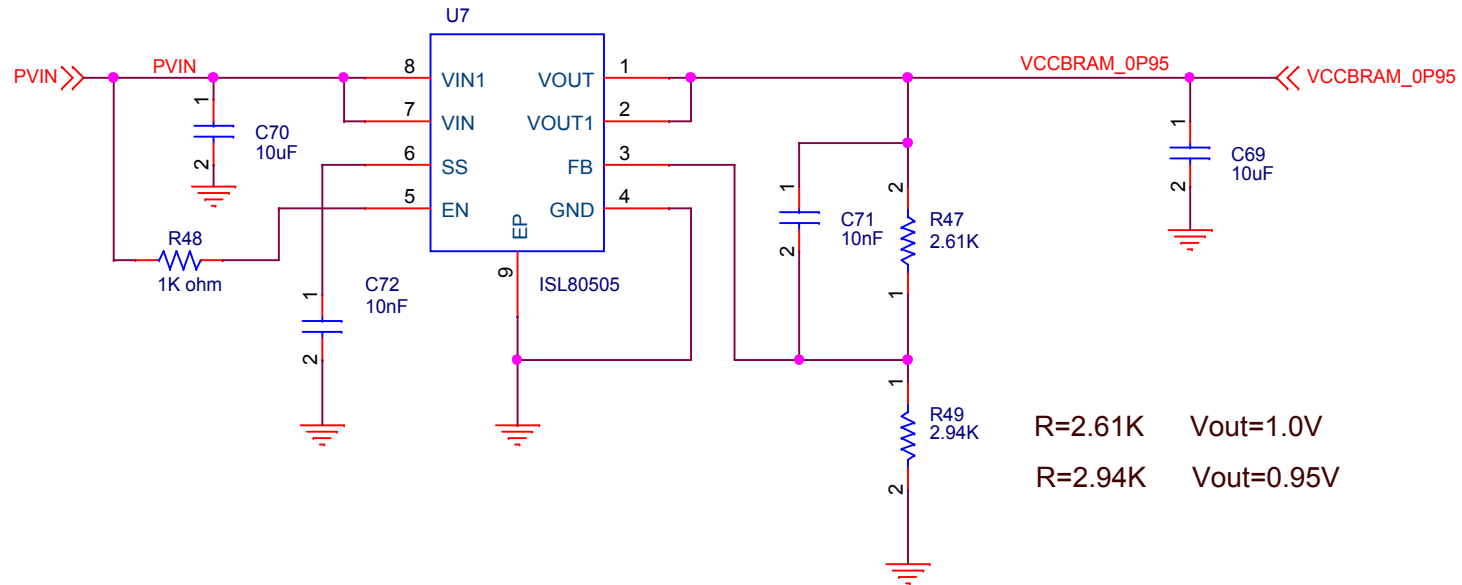


ISL80505 SINGLE OUTPUT 1.0V



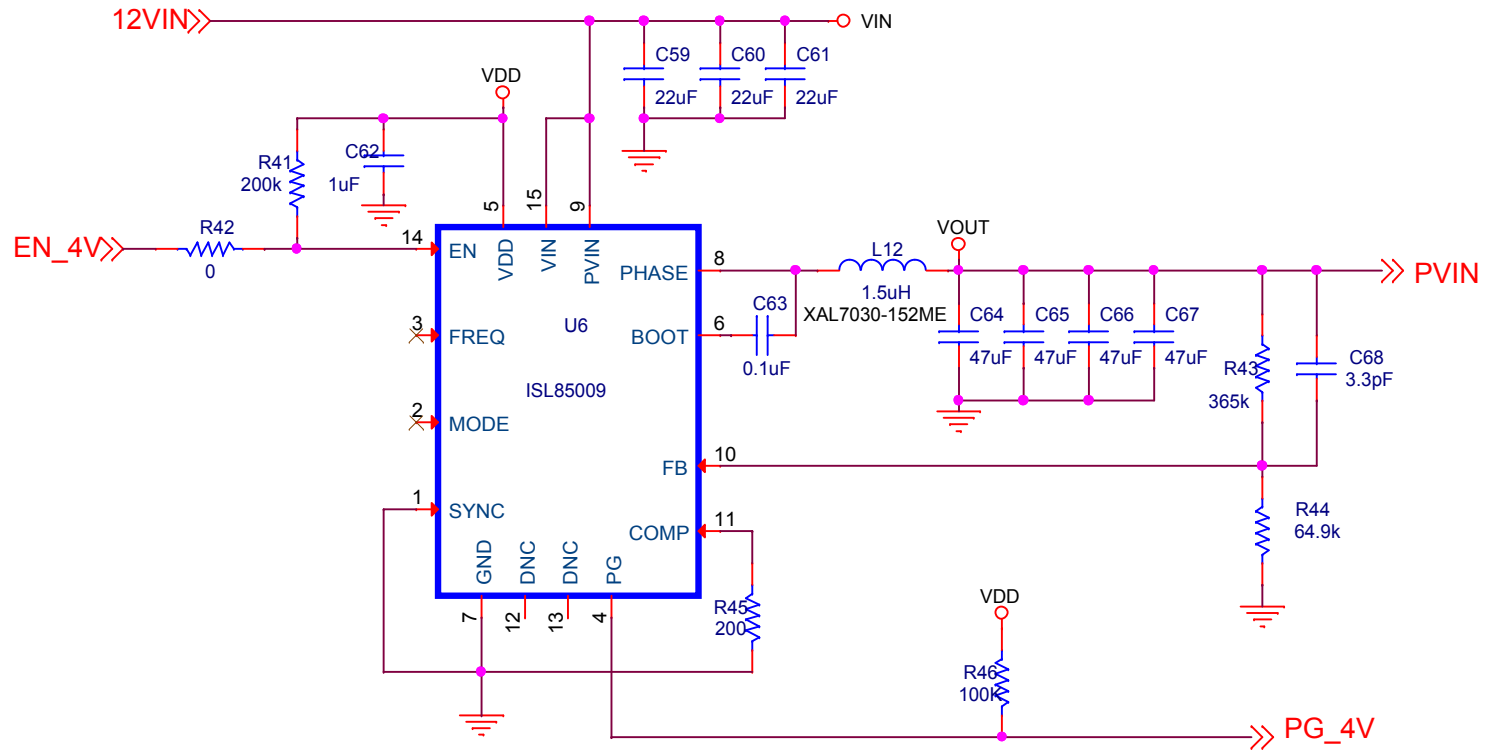
Title		
ISL80505 For VCCBRAM 1.0V (Optional)		
Size	Document Number	Rev
A	<Doc>	A
Date:	Friday, September 15, 2017	Sheet 1 of 1

ISL80505 SINGLE OUTPUT 0.95V



Title		
ISL80505 For VCCBRAM 0.95V (Optional)		
Size	Document Number	Rev
A	<Doc>	A
Date:	Friday, September 15, 2017	Sheet 1 of 1

ISL85009 SINGLE OUTPUT 4V (9A)



Title		
ISL85009_12V_4V		
Size A	Document Number <Doc>	Rev A
Date:	Friday, September 15, 2017	Sheet 1 of 1

ISL85003 SINGLE OUTPUT FOR VCCIO 3.3V

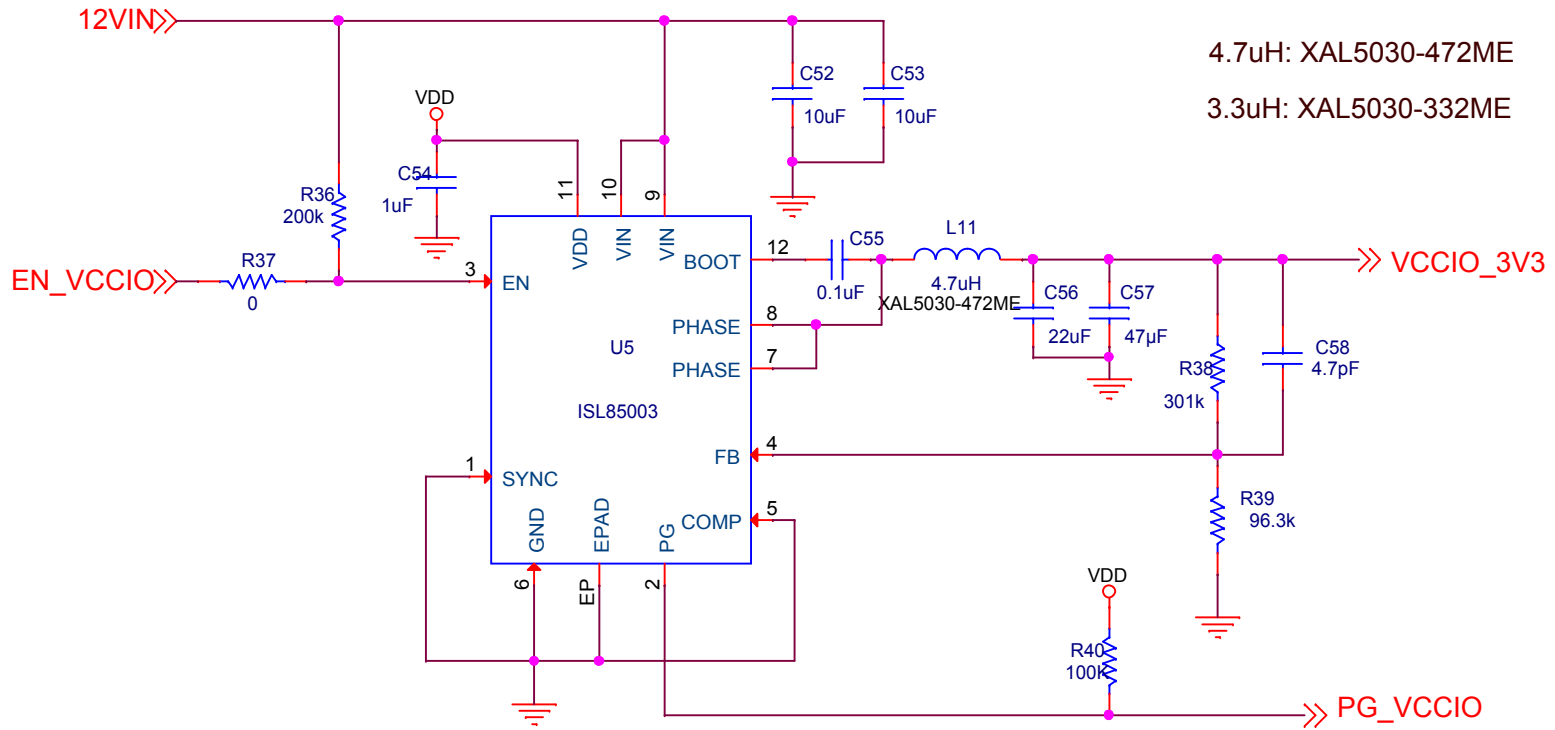
L=3.3uH R=241K Vout=1.8V

L=3.3uH R=142K Vout=2.5V

L=4.7uH R=96.3K Vout=3.3V

4.7uH: XAL5030-472ME

3.3uH: XAL5030-332ME



Title		
ISL85003-SINGLE-3.3V		
Size A	Document Number <Doc>	Rev A
Date:	Friday, September 15, 2017	Sheet 1 of 1

ISL85003 SINGLE OUTPUT FOR VCCIO 2.5V

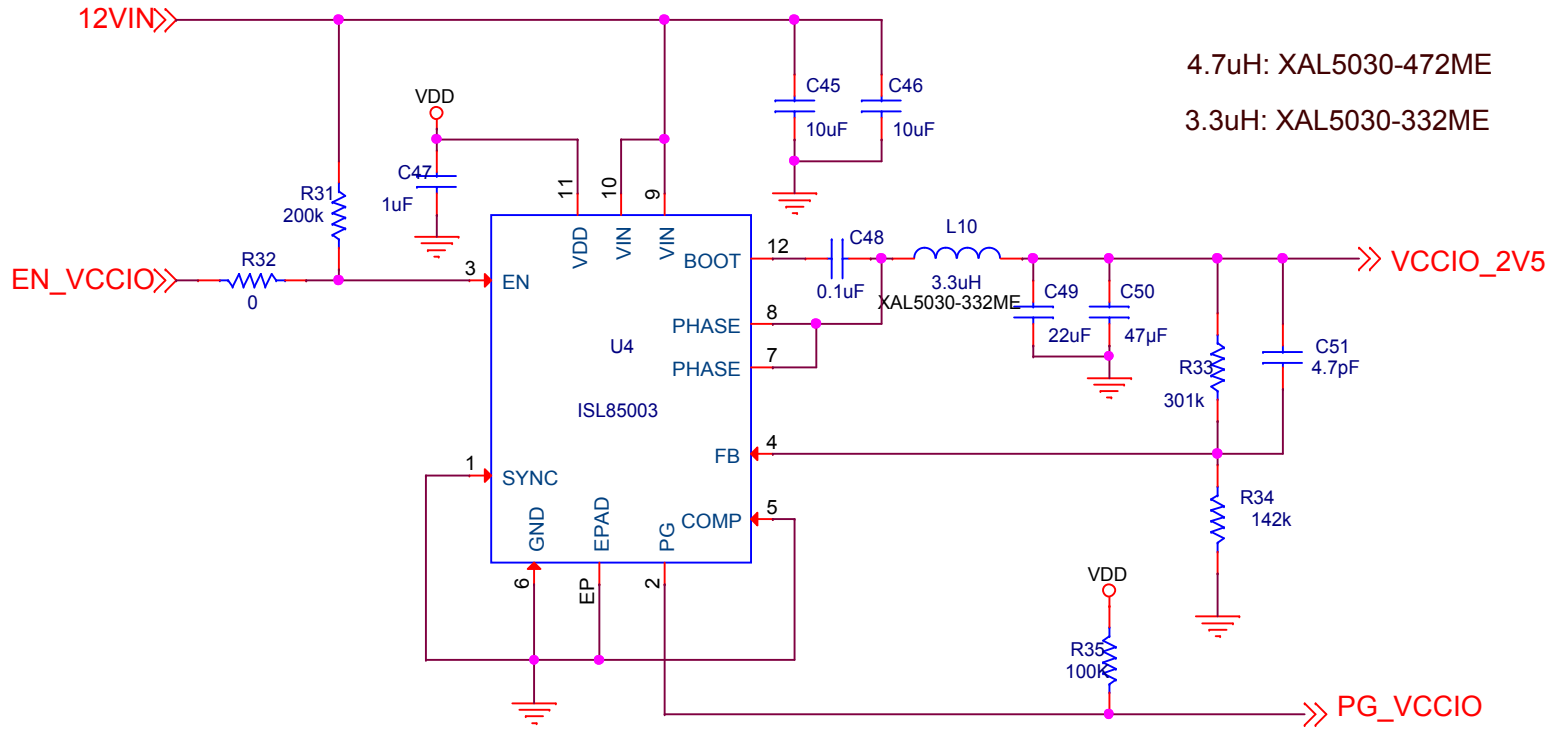
L=3.3uH R=241K Vout=1.8V

L=3.3uH R=142K Vout=2.5V

L=4.7uH R=96.3K Vout=3.3V

4.7uH: XAL5030-472ME

3.3uH: XAL5030-332ME



Title		
ISL85003-SINGLE-2.5V		
Size A	Document Number <Doc>	Rev A
Date:	Friday, September 15, 2017	Sheet 1 of 1

ISL85003 SINGLE OUTPUT FOR VCCIO 1.8V

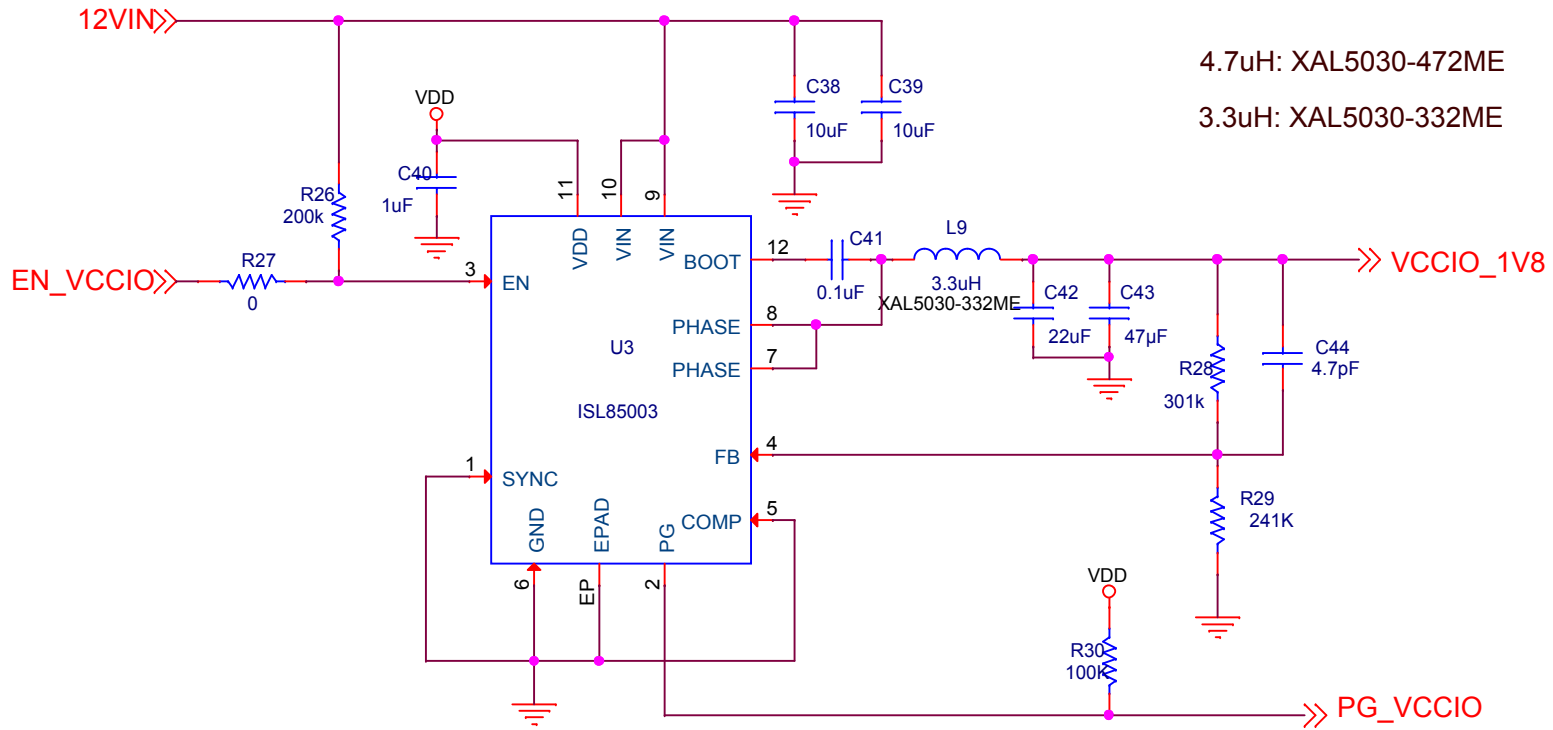
L=3.3uH R=241K Vout=1.8V

L=3.3uH R=142K Vout=2.5V

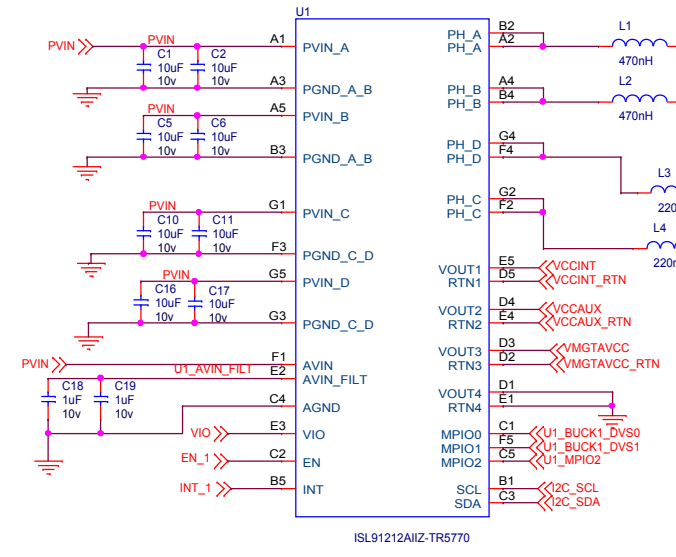
L=4.7uH R=96.3K Vout=3.3V

4.7uH: XAL5030-472ME

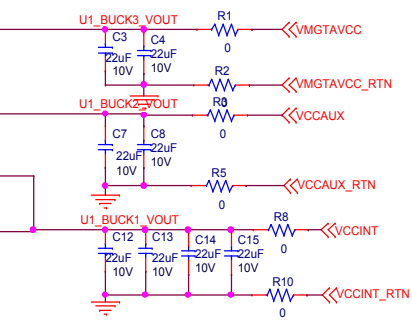
3.3uH: XAL5030-332ME



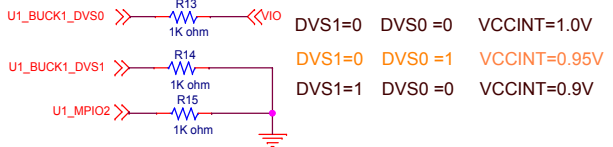
Title		
ISL85003-SINGLE-1.8V		
Size A	Document Number <Doc>	Rev A
Date:	Friday, September 15, 2017	Sheet 1 of 1



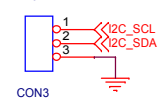
ISL9121AIIZ-TR5770



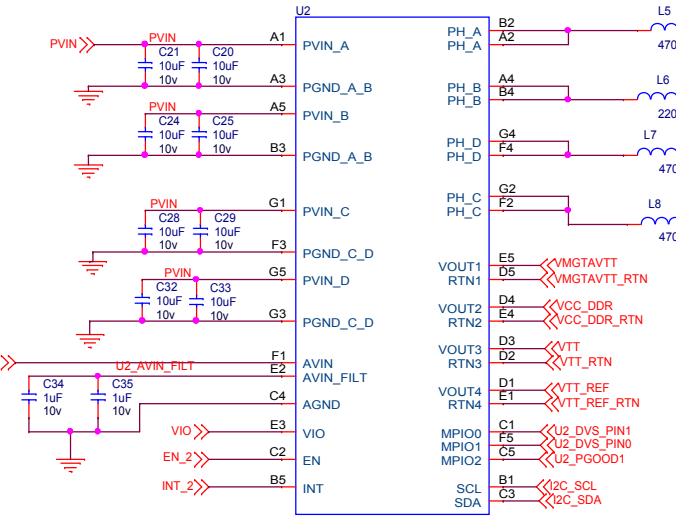
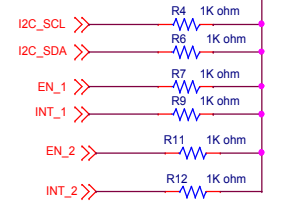
IO_PINMODE=0X06



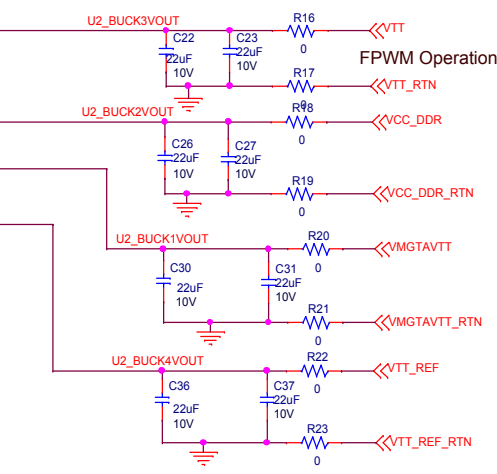
I2C Dongle Connector



I/O Pin Pull Ups

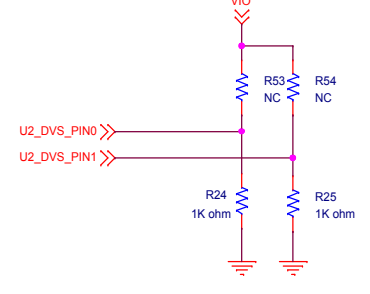


ISL9121BIIZ-TR5771



FPWM Operation

IO_PINMODE=0X04 Global DVS



DDR3:	R53	R54	R24	R25
DVS_PIN1=0				
DVS_PIN0=0	NC	NC	1k	1k
LV DDR3:				
DVS_PIN1=0	1k	NC	NC	1k
DVS_PIN0=1				

VCC_DDR=1.5V VTT=1.5V/2 VTT_REF=1.5V/2
 VCC_DDR=1.35V VTT=1.35V/2 VTT_REF=1.35V/2

Title			
A7_H2_ISL91212			
Size B	Document Number		Rev
	<Doc>		A
Date:	Thursday, November 02, 2017	Sheet	1 of 1