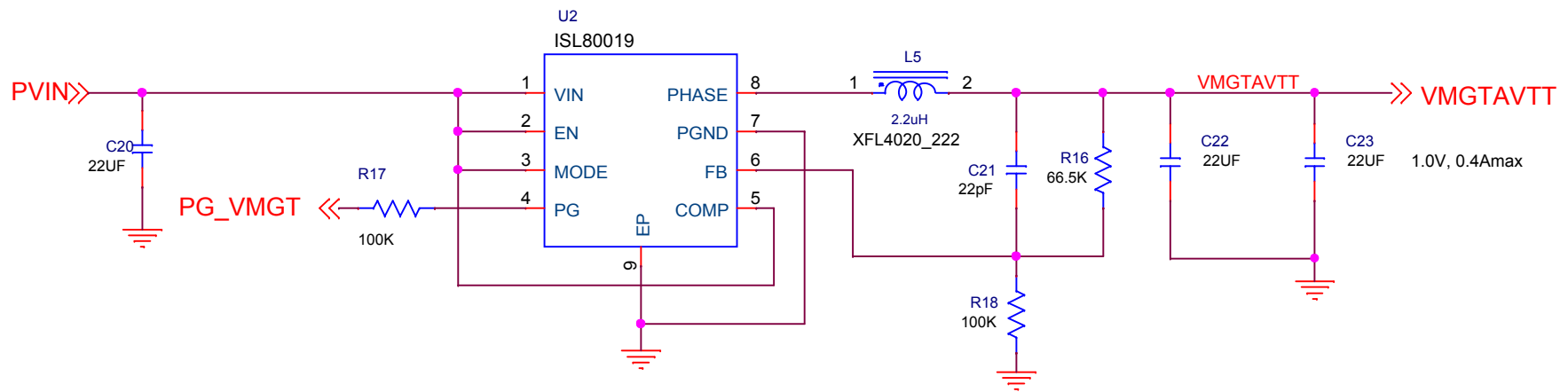
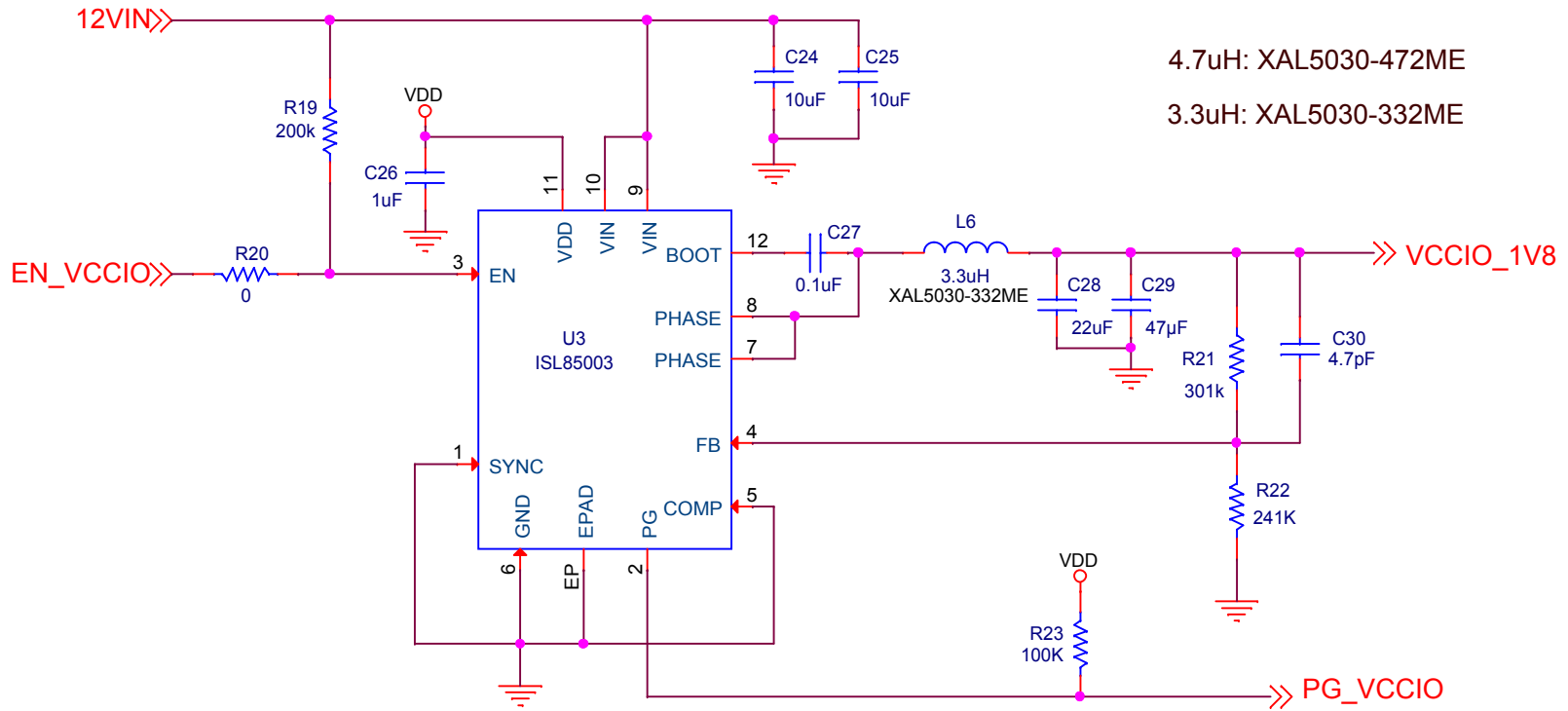


Title		
A7_H2_ISL91212		
Size	Document Number	Rev
B	<Doc>	A
Date:	Thursday, November 02, 2017	Sheet 1 of 8



Title		
ISL80019_1.0V		
Size	Document Number	Rev
A	<Doc>	A
Date:	Friday, October 20, 2017	Sheet 2 of 8

ISL85003 SINGLE OUTPUT FOR VCCIO 1.8V



L=3.3uH R=241K Vout=1.8V

L=3.3uH R=142K Vout=2.5V

L=4.7uH R=96.3K Vout=3.3V

4.7uH: XAL5030-472ME

3.3uH: XAL5030-332ME

Title		
ISL85003-SINGLE-1.8V		
Size	Document Number	Rev
A	<Doc>	A
Date:	Friday, October 20, 2017	Sheet 3 of 8

ISL85003 SINGLE OUTPUT FOR VCCIO 2.5V

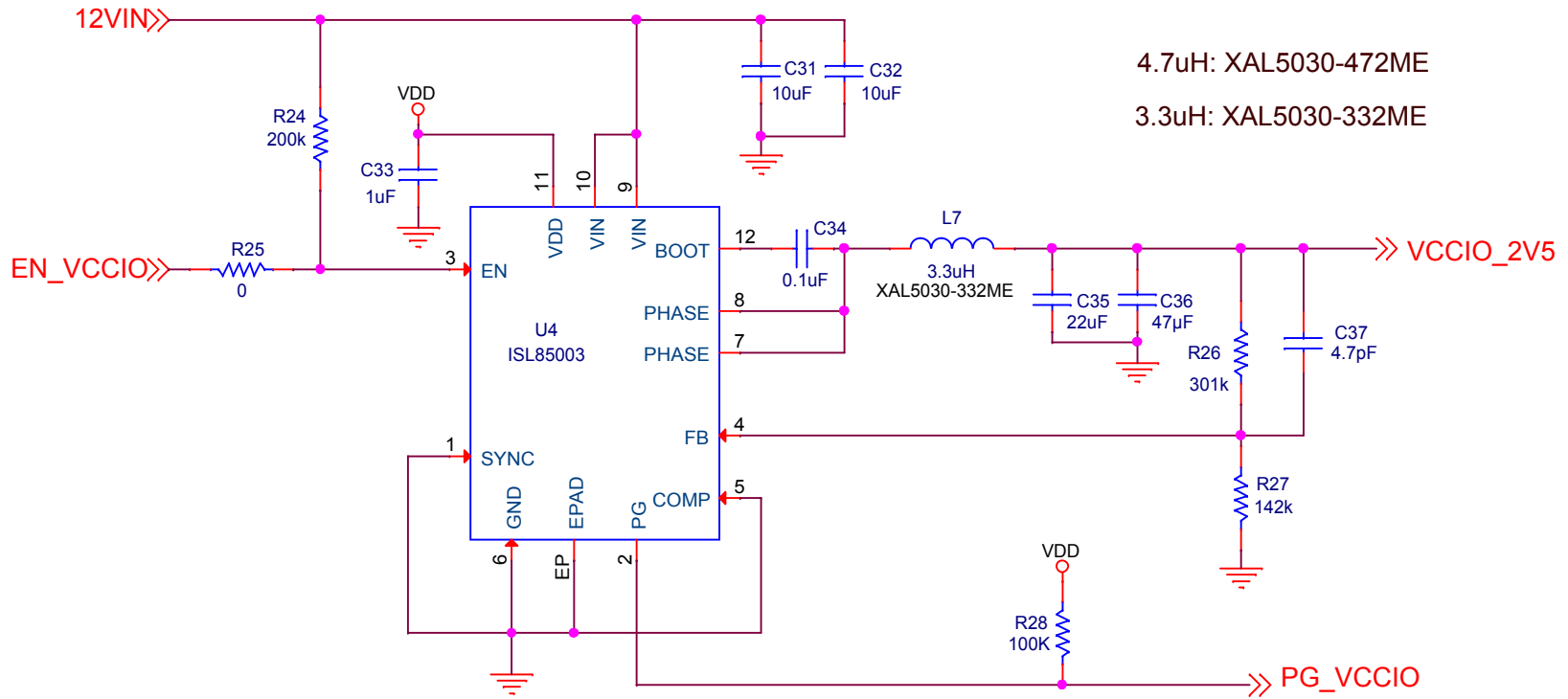
L=3.3uH R=241K Vout=1.8V

L=3.3uH R=142K Vout=2.5V

L=4.7uH R=96.3K Vout=3.3V

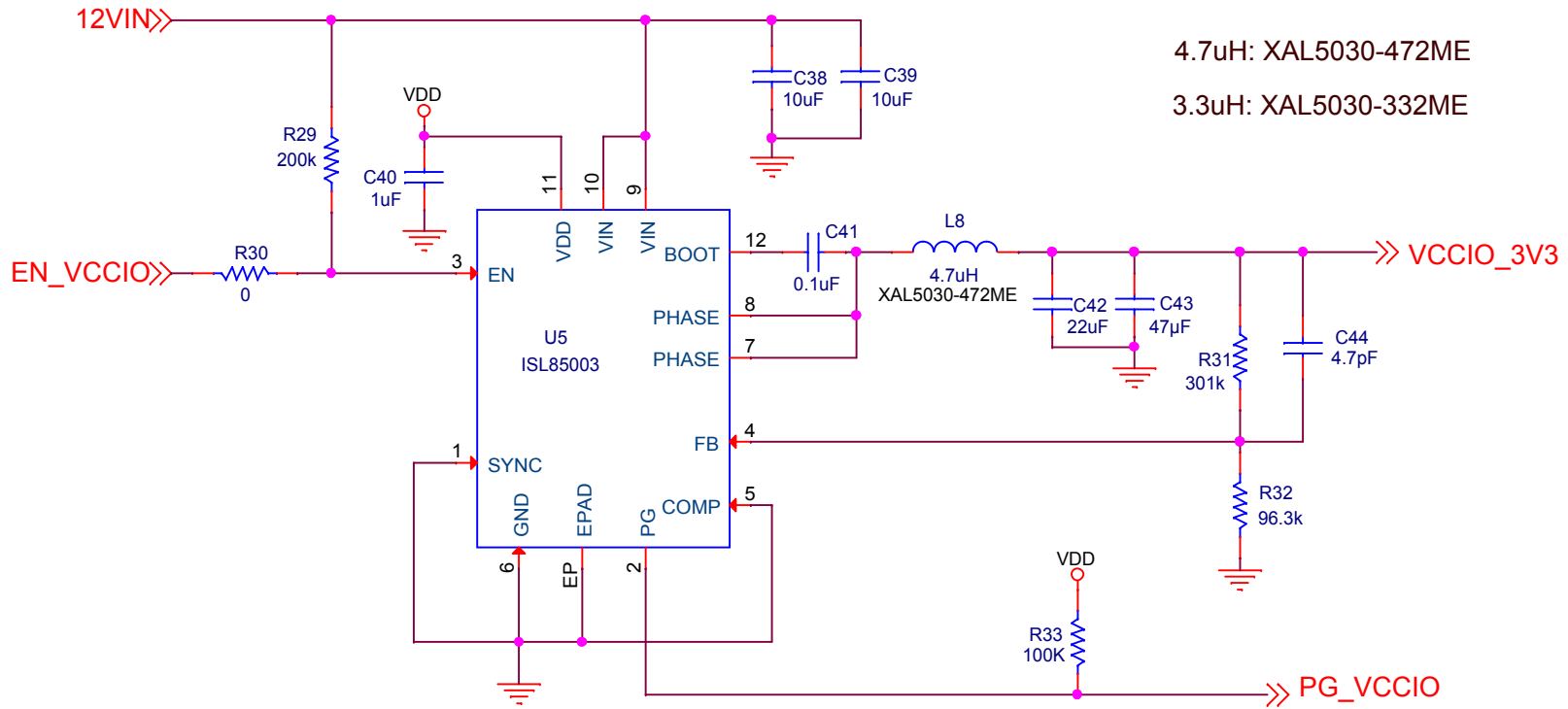
4.7uH: XAL5030-472ME

3.3uH: XAL5030-332ME



Title		
ISL85003-SINGLE-2.5V		
Size A	Document Number <Doc>	Rev A
Date:	Friday, October 20, 2017	Sheet 4 of 8

ISL85003 SINGLE OUTPUT FOR VCCIO 3.3V



L=3.3uH R=241K Vout=1.8V

L=3.3uH R=142K Vout=2.5V

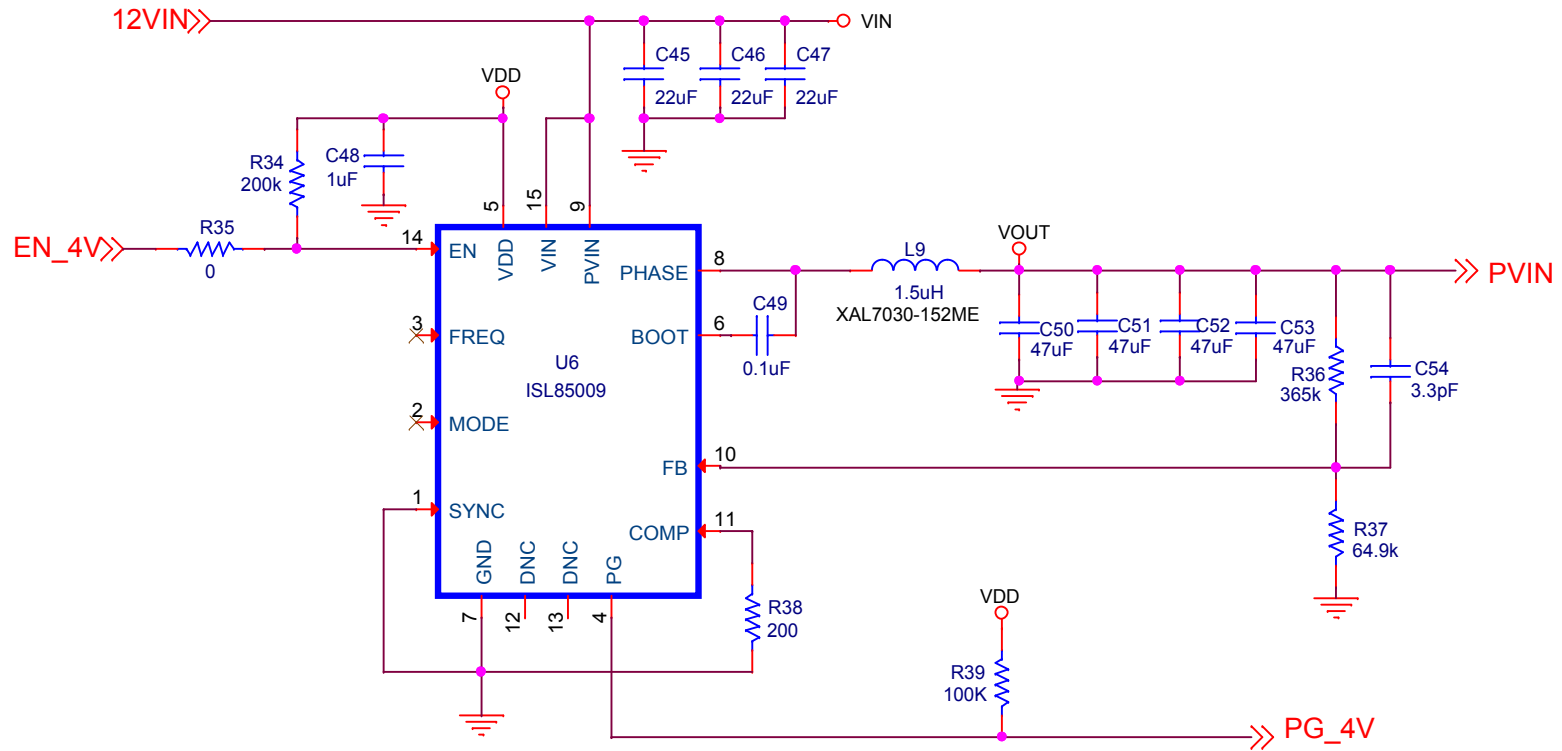
L=4.7uH R=96.3K Vout=3.3V

4.7uH: XAL5030-472ME

3.3uH: XAL5030-332ME

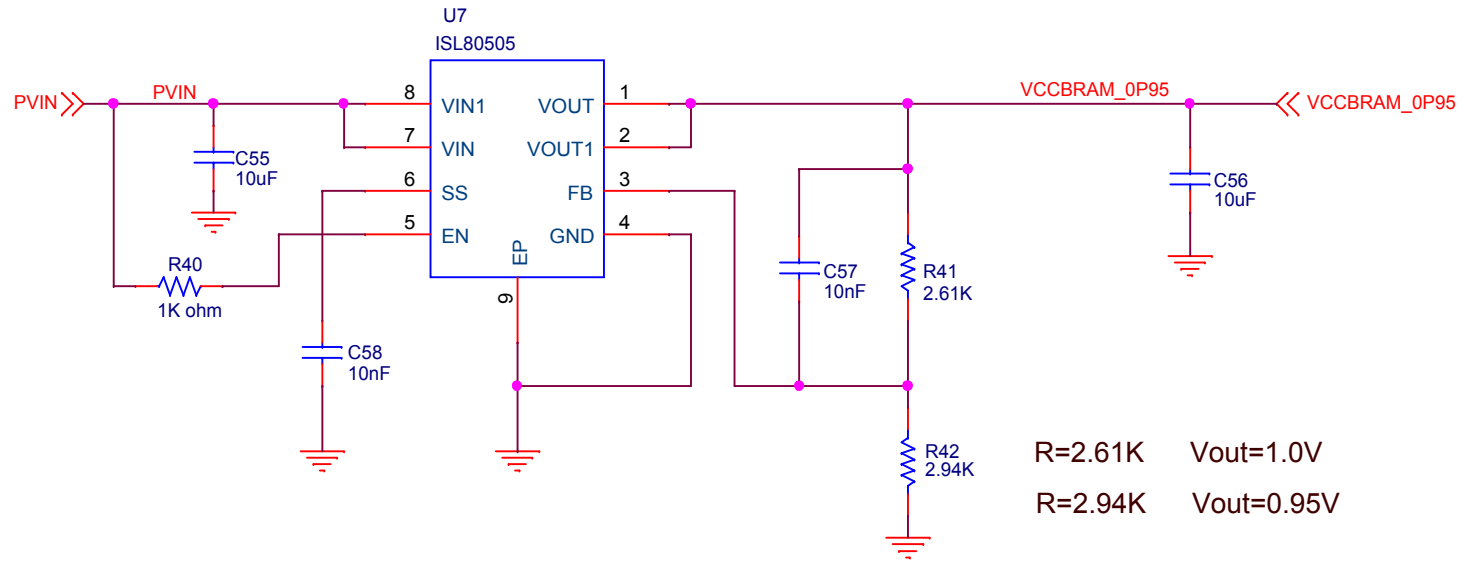
Title		
ISL85003-SINGLE-3.3V		
Size A	Document Number <Doc>	Rev A
Date:	Friday, October 20, 2017	Sheet 5 of 8

ISL85009 SINGLE OUTPUT 4V (9A)



Title		
ISL85009_12V_4V		
Size A	Document Number <Doc>	Rev A
Date:	Friday, October 20, 2017	Sheet 6 of 8

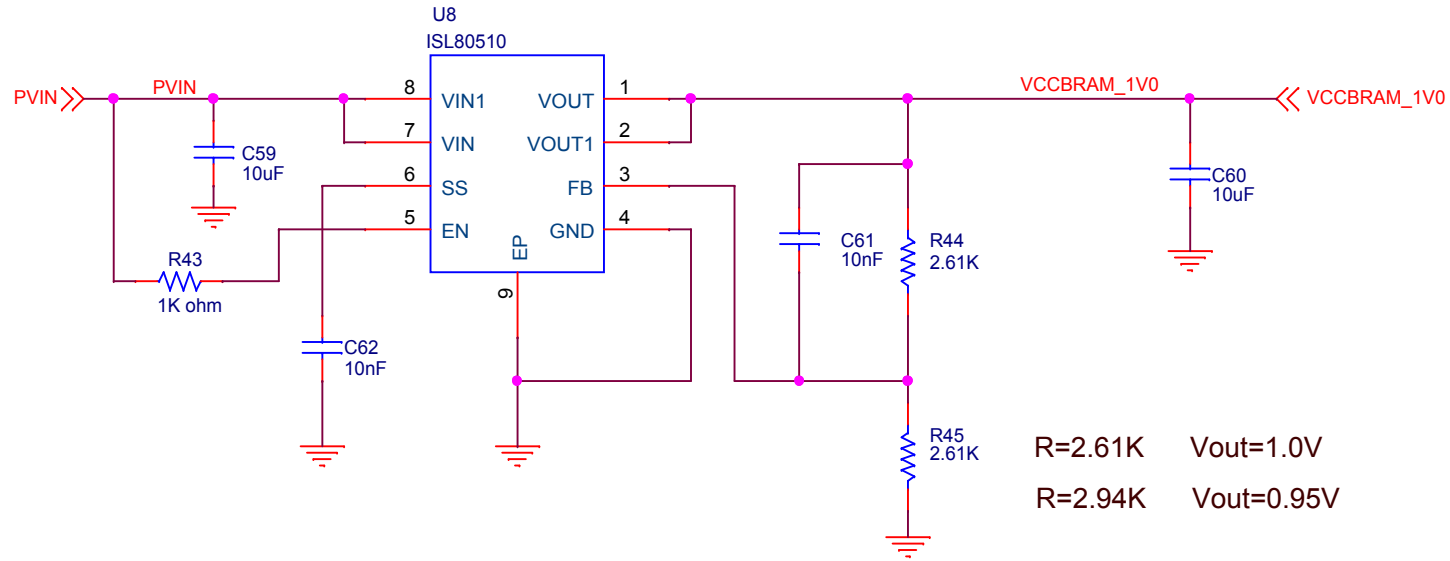
ISL80505 SINGLE OUTPUT 0.95V



R=2.61K Vout=1.0V
R=2.94K Vout=0.95V

Title		
ISL80505 For VCCBRAM 0.95V (Optional)		
Size	Document Number	Rev
A	<Doc>	A
Date:	Friday, October 20, 2017	Sheet 7 of 8

ISL80505 SINGLE OUTPUT 1.0V



Title		
ISL80505 For VCCBRAM 1.0V (Optional)		
Size	Document Number	Rev
A	<Doc>	A
Date:	Friday, October 20, 2017	Sheet 8 of 8