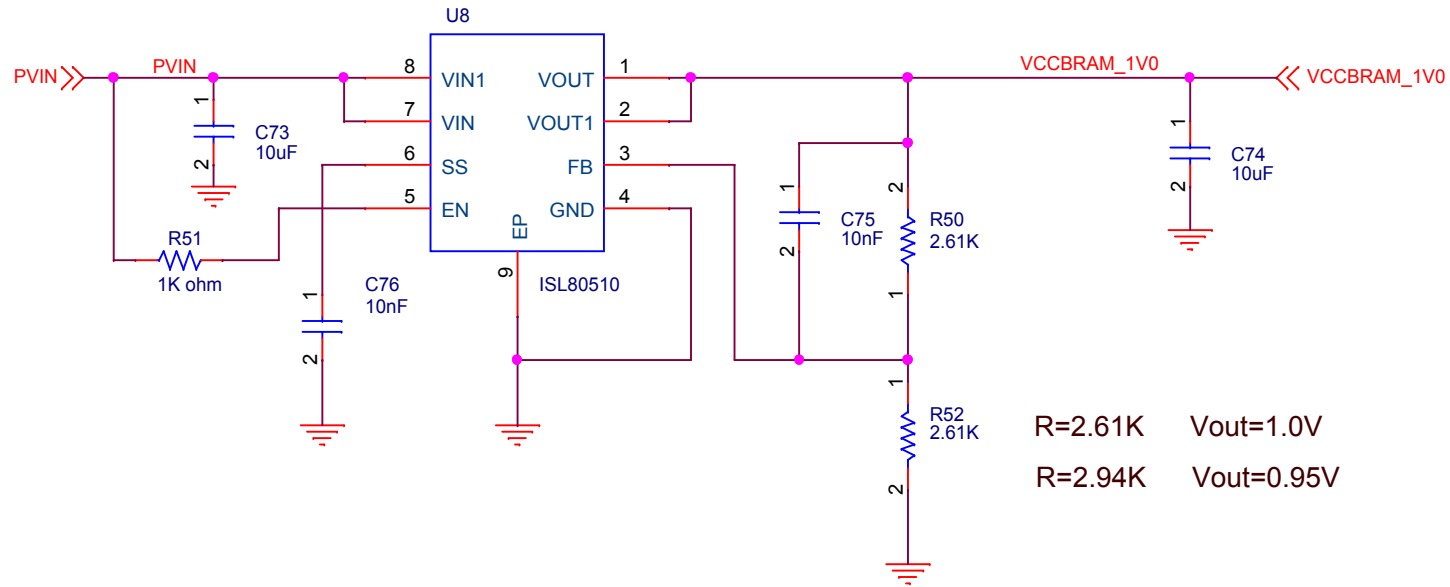
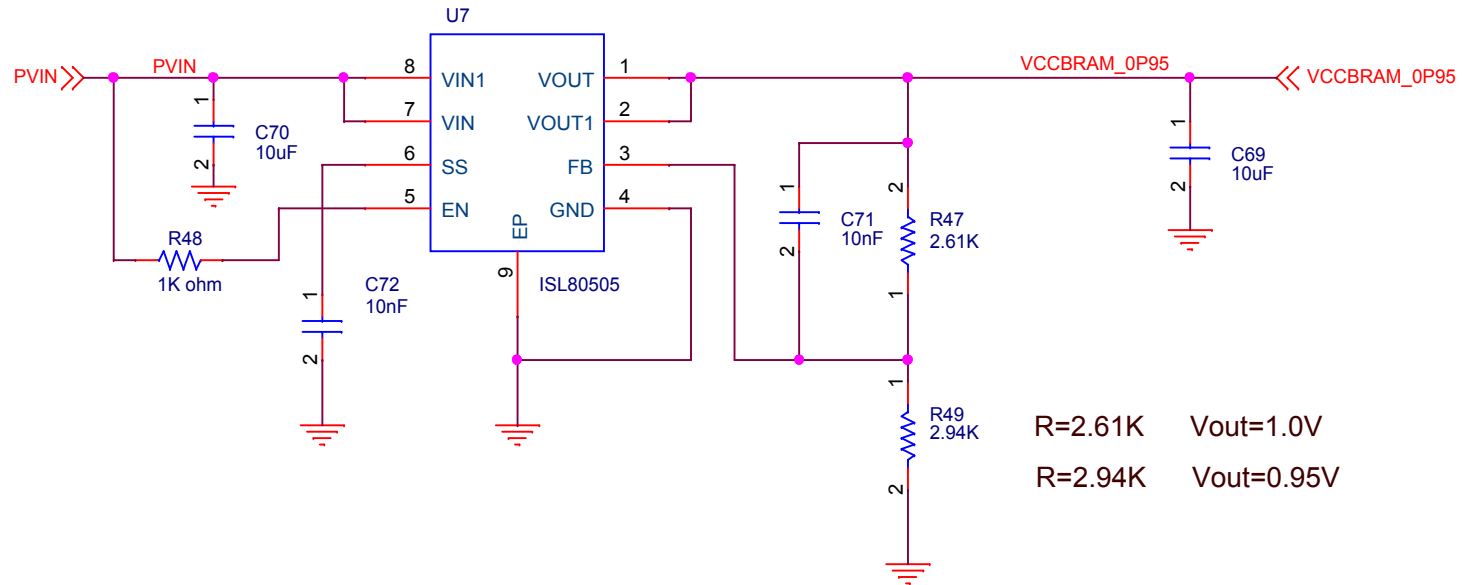


ISL80505 SINGLE OUTPUT 1.0V



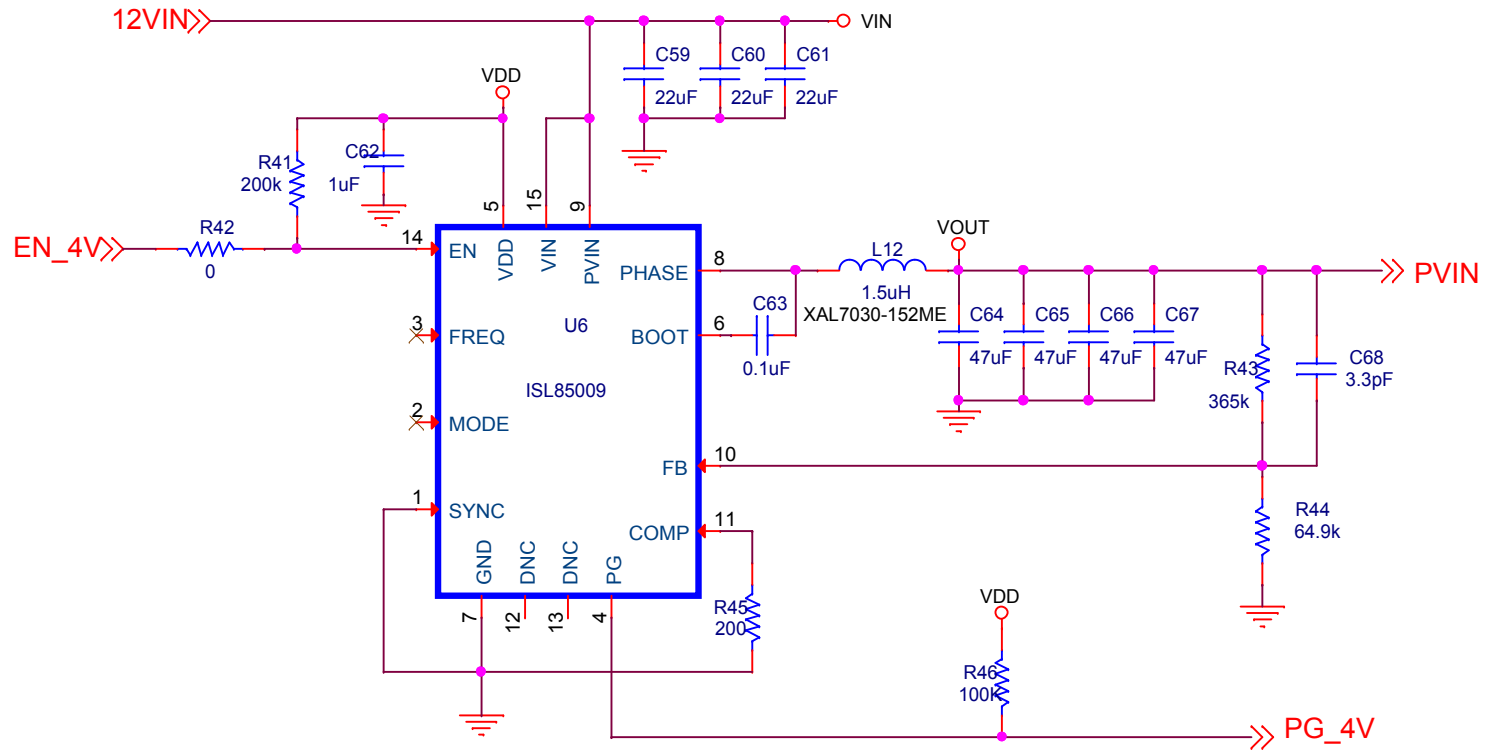
Title		
ISL80505 For VCCBRAM 1.0V (Optional)		
Size	Document Number	Rev
A	<Doc>	A
Date:	Friday, September 15, 2017	Sheet 1 of 1

ISL80505 SINGLE OUTPUT 0.95V



Title		
ISL80505 For VCCBRAM 0.95V (Optional)		
Size	Document Number	Rev
A	<Doc>	A
Date:	Friday, September 15, 2017	Sheet 1 of 1

ISL85009 SINGLE OUTPUT 4V (9A)



Title		
ISL85009_12V_4.0V		
Size	Document Number	Rev
A	<Doc>	A
Date:	Friday, September 15, 2017	Sheet 1 of 1

ISL85003 SINGLE OUTPUT FOR VCCIO 3.3V

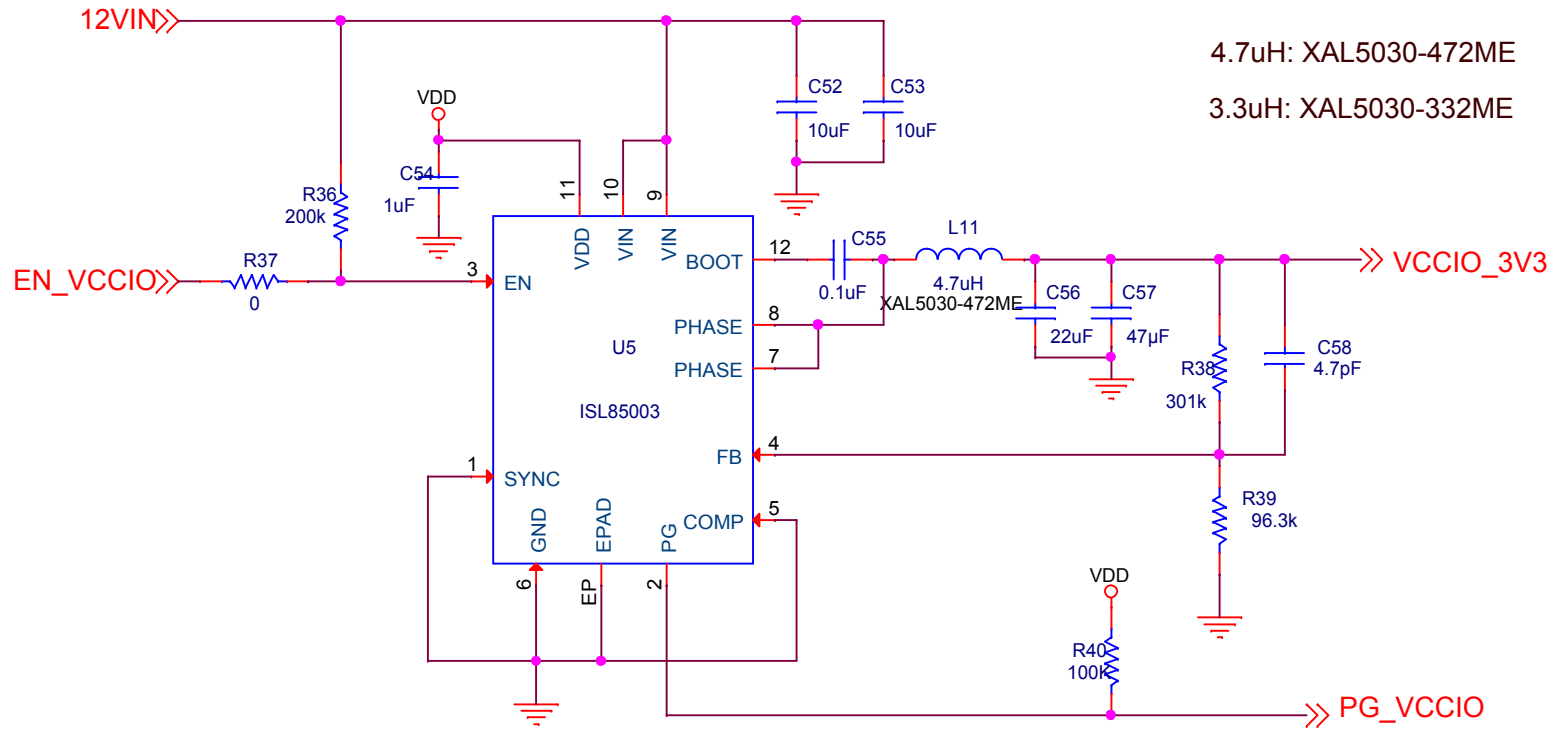
L=3.3uH R=241K Vout=1.8V

L=3.3uH R=142K Vout=2.5V

L=4.7uH R=96.3K Vout=3.3V

4.7uH: XAL5030-472ME

3.3uH: XAL5030-332ME



Title		
ISL85003-SINGLE-3.3V		
Size A	Document Number <Doc>	Rev A
Date:	Friday, September 15, 2017	Sheet 1 of 1

ISL85003 SINGLE OUTPUT FOR VCCIO 2.5V

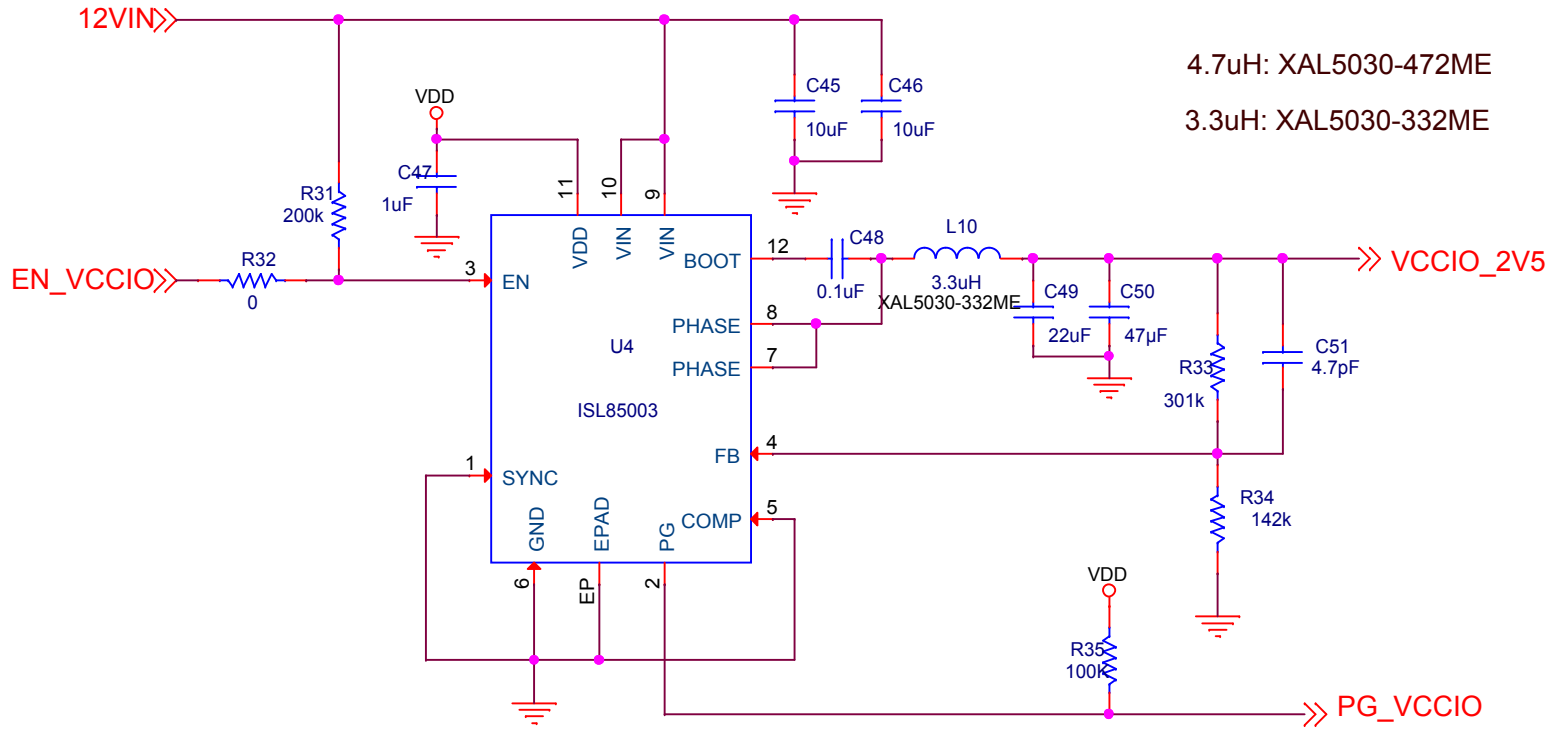
L=3.3uH R=241K Vout=1.8V

L=3.3uH R=142K Vout=2.5V

L=4.7uH R=96.3K Vout=3.3V

4.7uH: XAL5030-472ME

3.3uH: XAL5030-332ME



Title		
ISL85003-SINGLE-1.8V		
Size A	Document Number <Doc>	Rev A
Date:	Friday, September 15, 2017	Sheet 1 of 1

ISL85003 SINGLE OUTPUT FOR VCCIO 1.8V

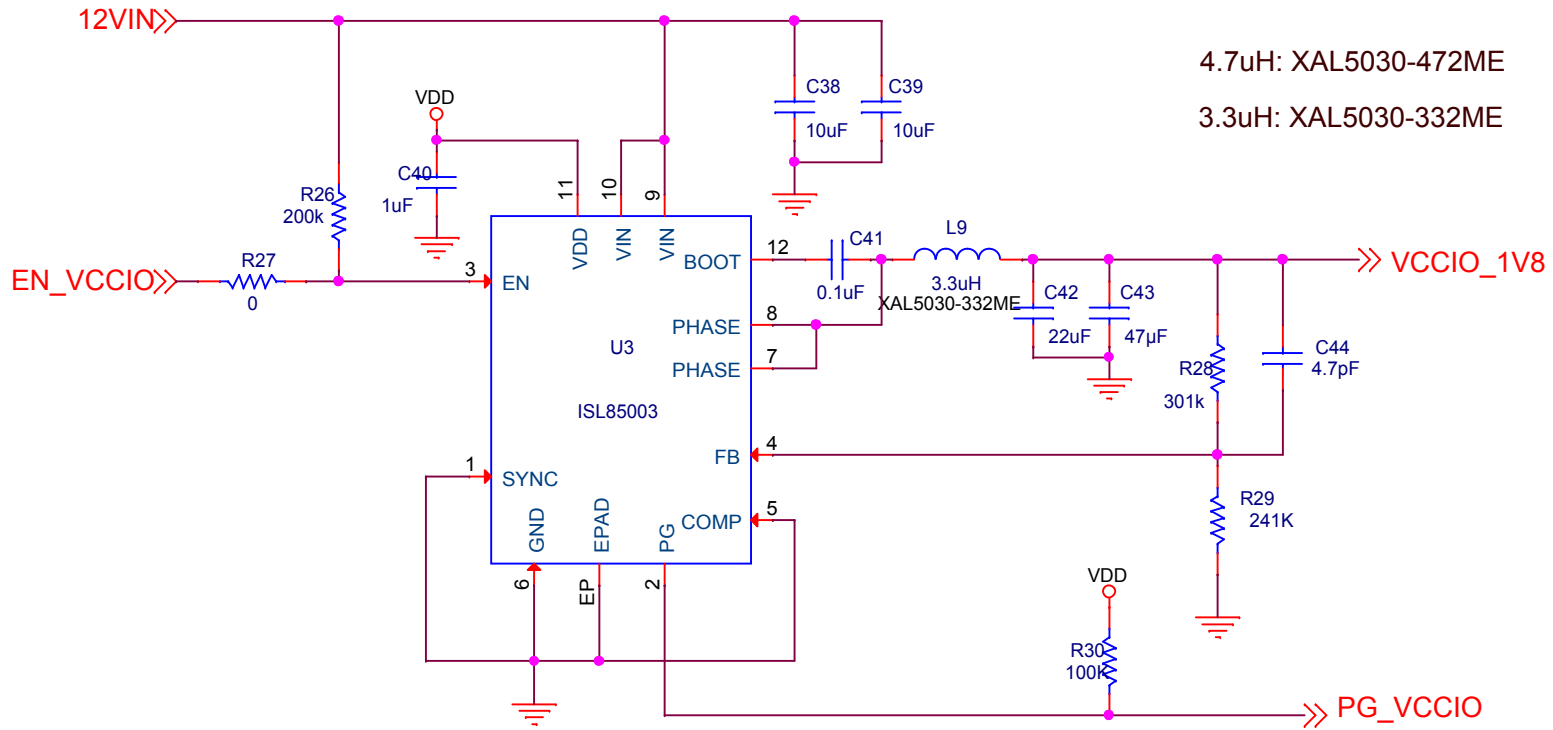
L=3.3uH R=241K Vout=1.8V

L=3.3uH R=142K Vout=2.5V

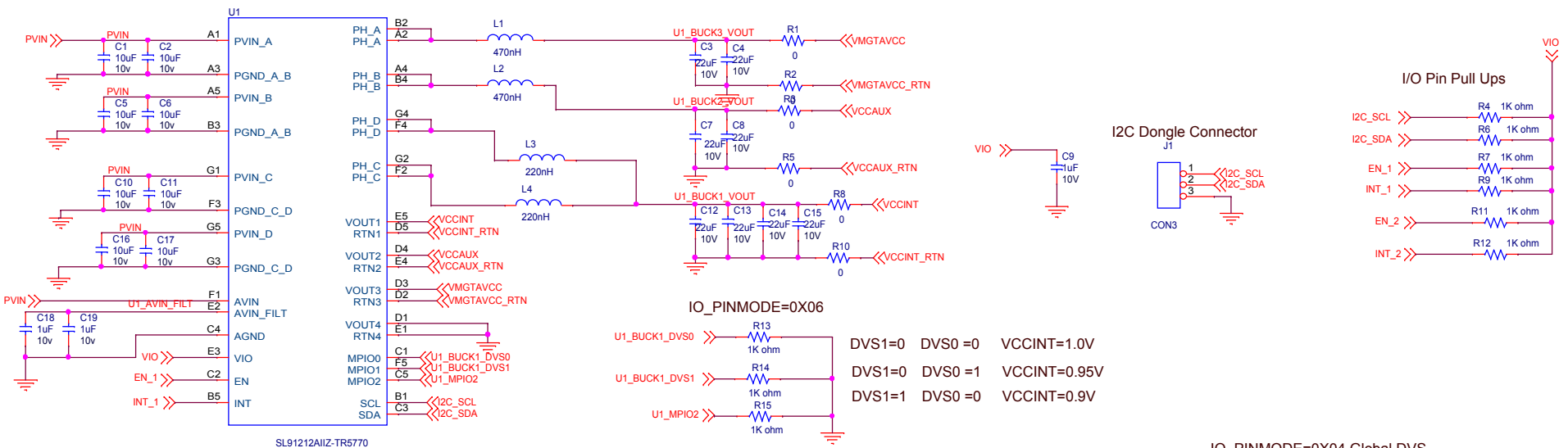
L=4.7uH R=96.3K Vout=3.3V

4.7uH: XAL5030-472ME

3.3uH: XAL5030-332ME



Title		
ISL85003-SINGLE-1.8V		
Size A	Document Number <Doc>	Rev A
Date:	Friday, September 15, 2017	Sheet 1 of 1

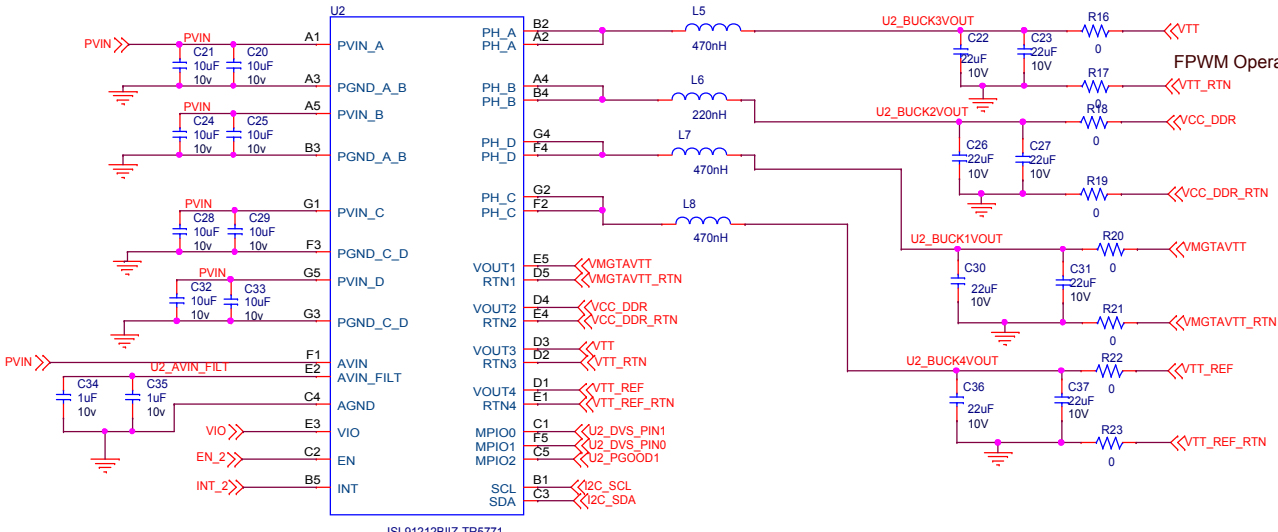
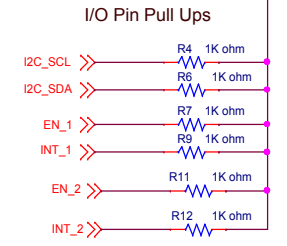
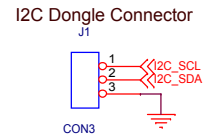


IO_PINMODE=0X06

U1_BUCK1_DVS0 >> R13 1K ohm DVS1=0 DVS0=0 VCCINT=1.0V

U1_BUCK1_DVS1 >> R14 1K ohm DVS1=0 DVS0=1 VCCINT=0.95V

U1_MPIO2 >> R15 1K ohm DVS1=1 DVS0=0 VCCINT=0.9V



IO_PINMODE=0X04 Global DVS

DDR3:	R53	R54	R24	R25	
DVS_PIN1=0					VCC_DDR=1.5V VTT=1.5V/2 VTT_REF=1.5V/2
DVS_PIN0=0	NC	NC	1k	1k	
LV_DDR3:					
DVS_PIN1=0	1k	NC	NC	1k	VCC_DDR=1.35V VTT=1.35V/2 VTT_REF=1.35V/2
DVS_PIN0=1					

Title		A7_H1_ISL91212	
Size	B	Document Number	<Doc>
Date:	Thursday, November 02, 2017	Sheet	1 of 1