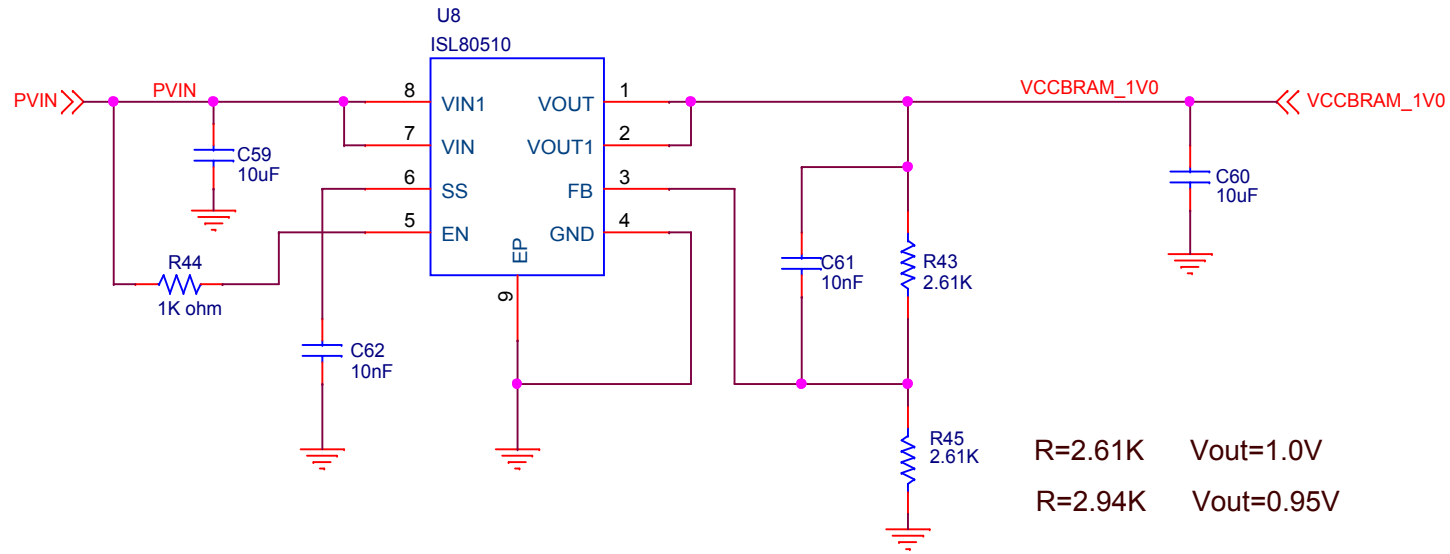
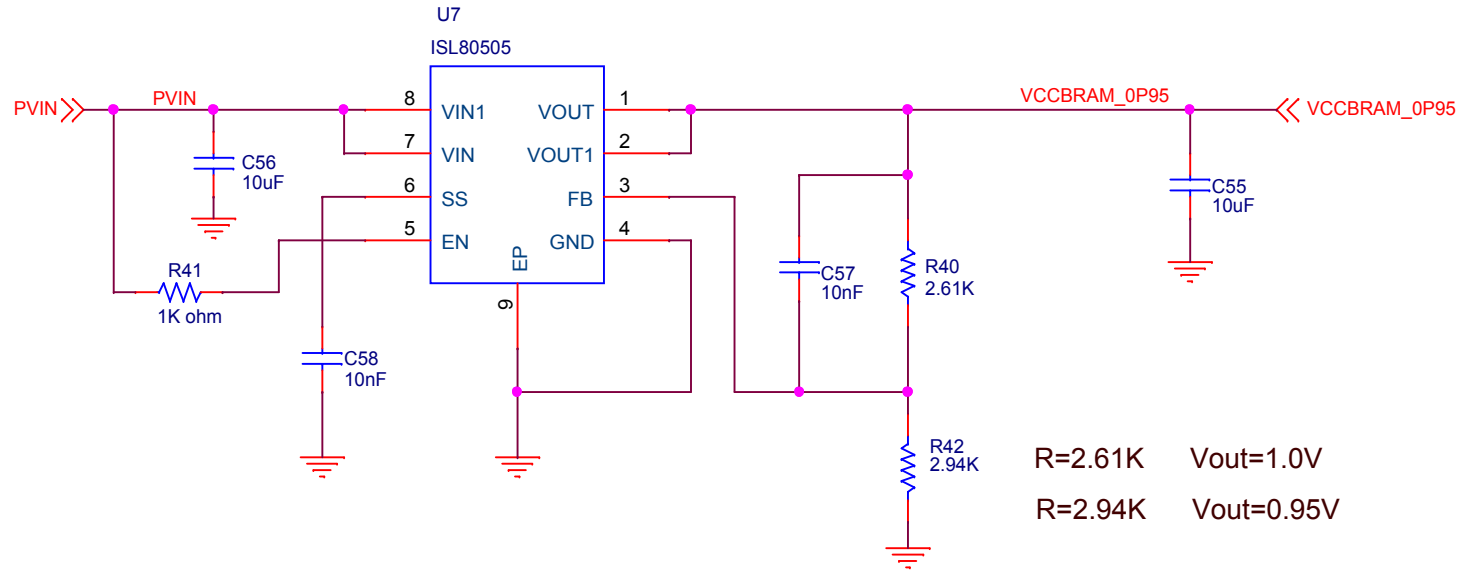


ISL80505 SINGLE OUTPUT 1.0V



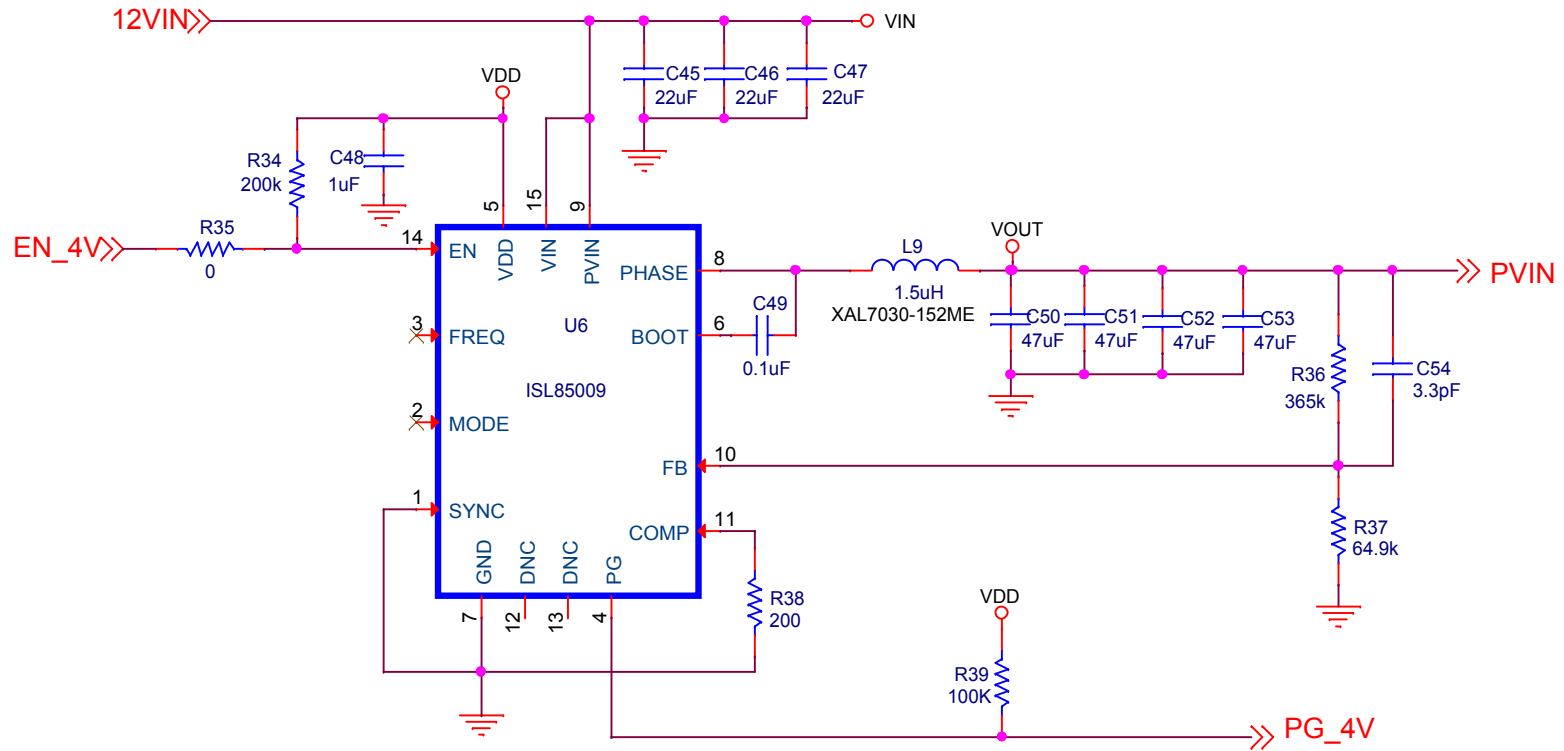
| | | |
|--|--------------------------|-----------------|
| Title | | |
| ISL80505 For VCCBRAM 1.0V (Optional) | | |
| Size A | Document Number <Doc> | Rev A |
| Date: Friday, October 20, 2017 Sheet 1 of 8 | | |

ISL80505 SINGLE OUTPUT 0.95V



| | | |
|--|--------------------------|--------------|
| Title | | |
| ISL80505 For VCCBRAM 0.95V (Optional) | | |
| Size | Document Number | Rev |
| A | <Doc> | A |
| Date: | Friday, October 20, 2017 | Sheet 1 of 8 |

ISL85009 SINGLE OUTPUT 4V (9A)



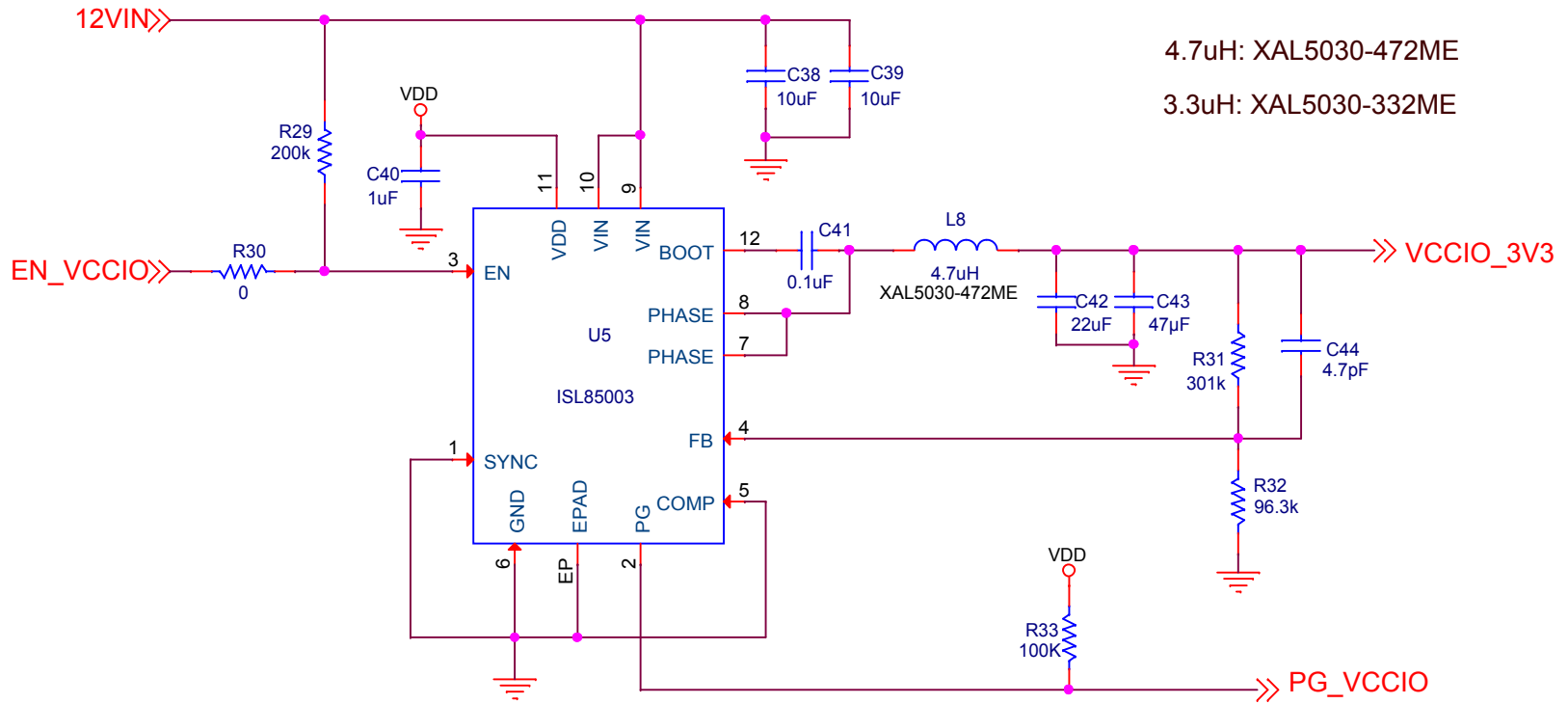
| | | |
|--------------------------|----------------------------|--------------|
| Title | | |
| ISL85009_12V_4.0V | | |
| Size | Document Number | Rev |
| A | <Doc> | A |
| Date: | Thursday, October 19, 2017 | Sheet 1 of 8 |

ISL85003 SINGLE OUTPUT FOR VCCIO 3.3V

L=3.3uH R=241K Vout=1.8V

L=3.3uH R=142K Vout=2.5V

L=4.7uH R=96.3K Vout=3.3V



4.7uH: XAL5030-472ME

3.3uH: XAL5030-332ME

| | | |
|-----------------------------|----------------------------|--------------|
| Title | | |
| ISL85003-SINGLE-3.3V | | |
| Size | Document Number | Rev |
| A | <Doc> | A |
| Date: | Thursday, October 19, 2017 | Sheet 1 of 8 |

ISL85003 SINGLE OUTPUT FOR VCCIO 2.5V

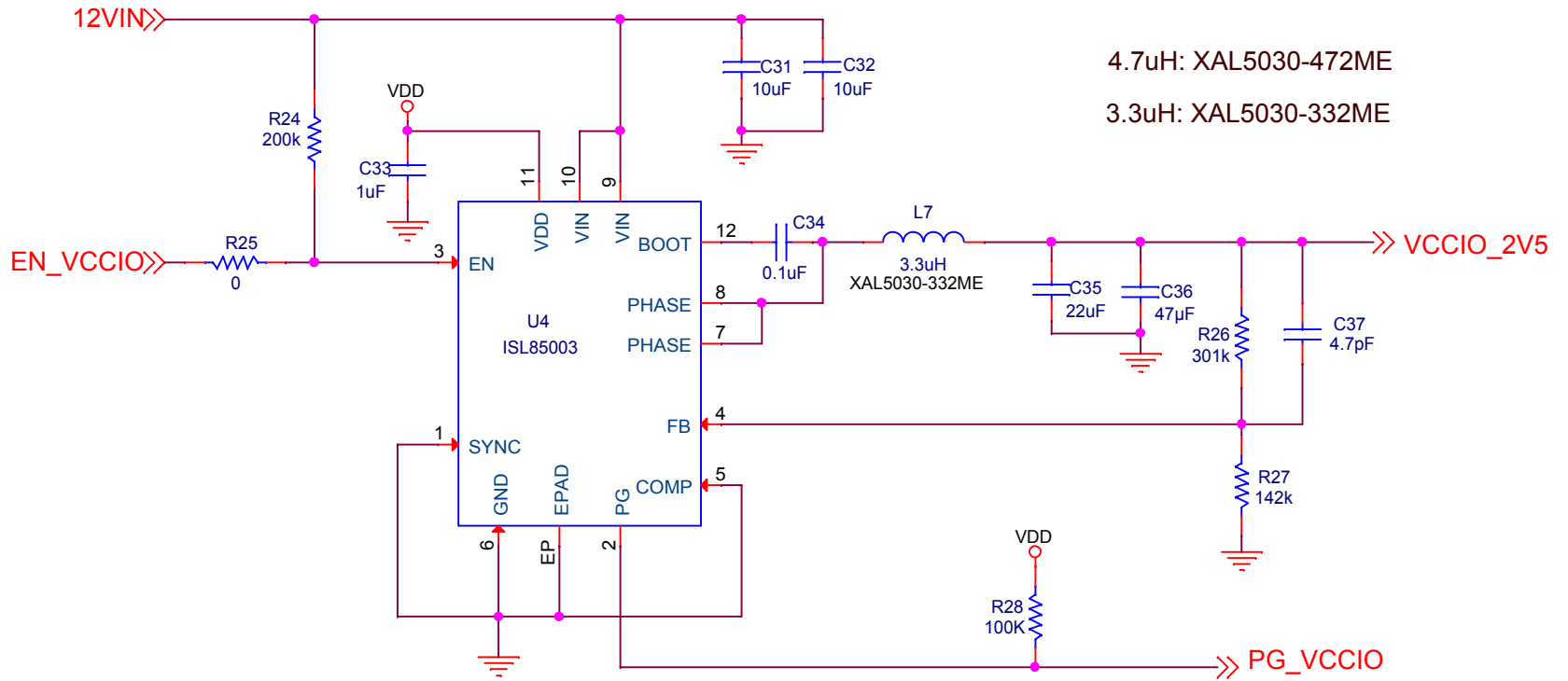
L=3.3uH R=241K Vout=1.8V

L=3.3uH R=142K Vout=2.5V

L=4.7uH R=96.3K Vout=3.3V

4.7uH: XAL5030-472ME

3.3uH: XAL5030-332ME



| | | |
|-----------------------------|--------------------------|--------------|
| Title | | |
| ISL85003-SINGLE-1.8V | | |
| Size | Document Number | Rev |
| A | <Doc> | A |
| Date: | Friday, October 20, 2017 | Sheet 1 of 8 |

ISL85003 SINGLE OUTPUT FOR VCCIO 1.8V

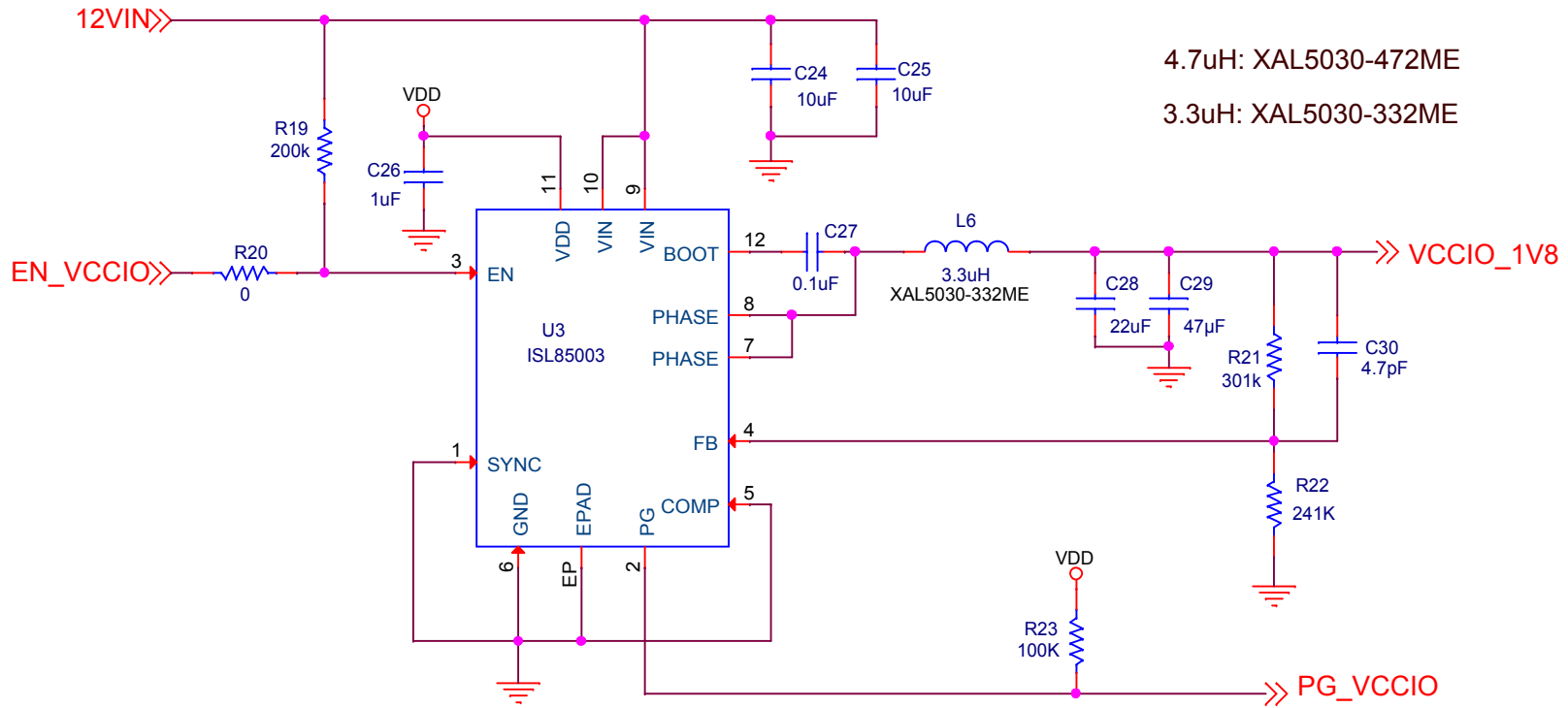
L=3.3uH R=241K Vout=1.8V

L=3.3uH R=142K Vout=2.5V

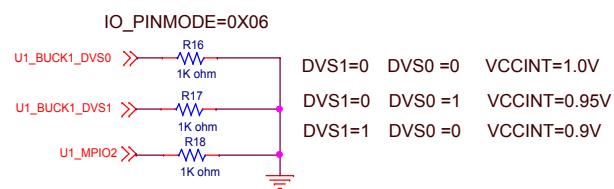
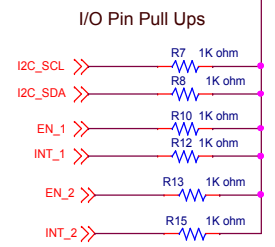
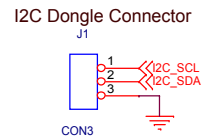
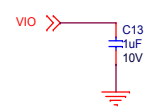
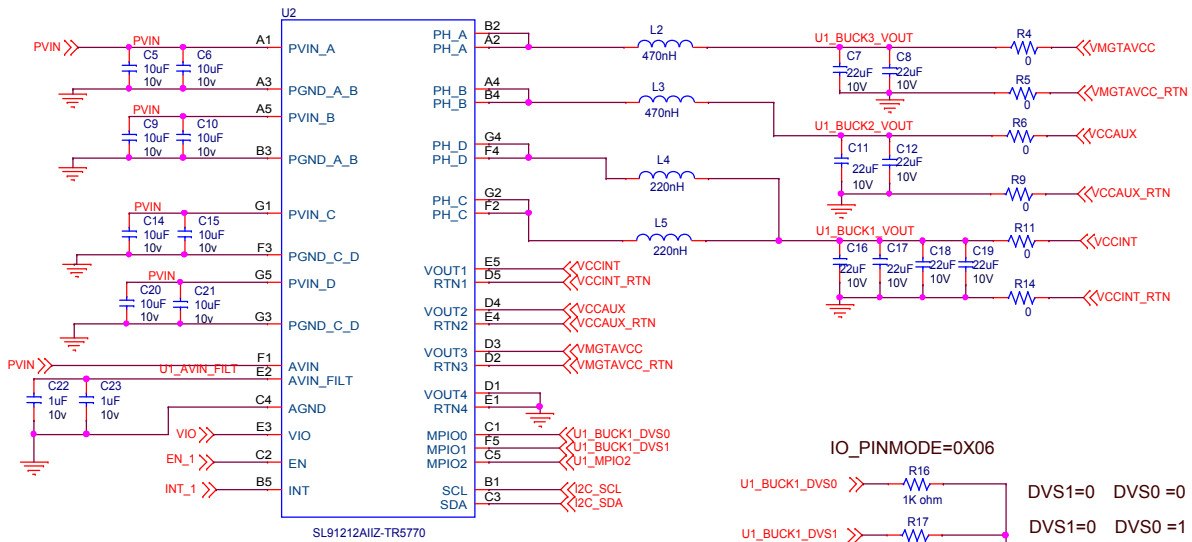
L=4.7uH R=96.3K Vout=3.3V

4.7uH: XAL5030-472ME

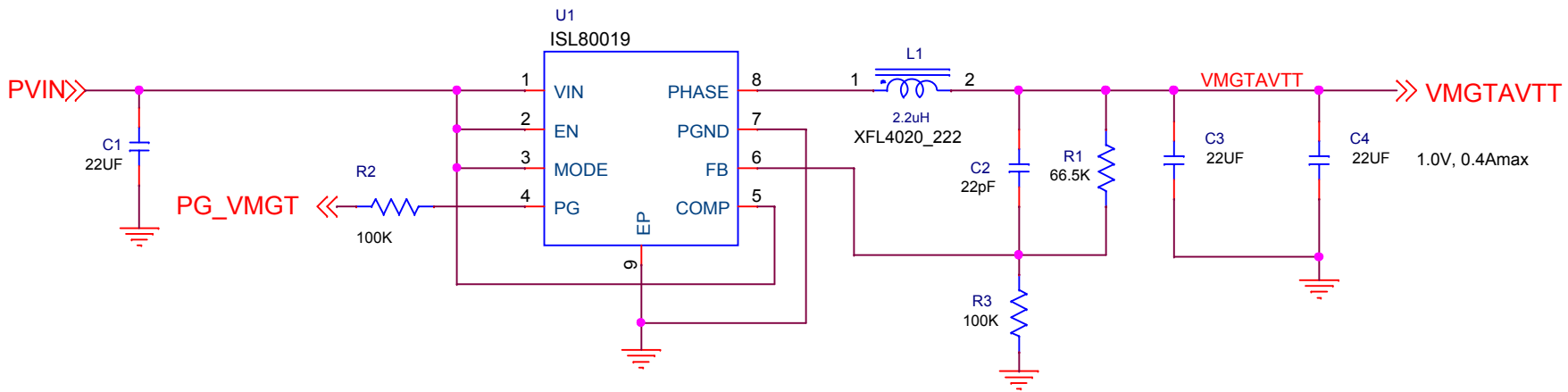
3.3uH: XAL5030-332ME



| | | |
|-----------------------------|--------------------------|--------------|
| Title | | |
| ISL85003-SINGLE-1.8V | | |
| Size | Document Number | Rev |
| A | <Doc> | A |
| Date: | Friday, October 20, 2017 | Sheet 1 of 8 |



| | | | |
|-------|-----------------------------|-------|-----------------------|
| Title | | | A7_H1_ISL91212 |
| Size | Document Number | Rev | |
| B | <Doc> | A | |
| Date: | Thursday, November 02, 2017 | Sheet | 1 of 8 |



| | | |
|----------------------|--------------------------|--------------|
| Title | | |
| ISL80019_1.0V | | |
| Size A | Document Number <Doc> | Rev A |
| Date: | Friday, October 20, 2017 | Sheet 1 of 8 |