

Mixed Signal Design & Verification for Complex SoCs

Cormac O’Sullivan & Donnacha O’Riordan, Industrial ASIC BU

Abstract

This paper describes the design & verification methodology used on a recent large mixed signal System on a Chip (SoCs) which contained radio frequency (RF), analog, mixed-signal and digital blocks on one chip. We combine a top-down functional approach, based on early system-level modelling, with a bottom-up performance approach based on transistor level simulations, in an agile development methodology. We look at how real valued modelling, using the Verilog-AMS wire that carries a real value (wreal) data type, achieves shorter simulation times in large SoCs with high frequency RF sections, low bandwidth analogue base-band sections and appreciable digital functionality including filtering and calibration blocks. We obtain further system level verification and confirmation of block design through periodic S parameter analysis, which can allow simulation of certain performance parameters (e.g., noise figure and gain) for a full analogue chain. We discuss the importance of sub-block analogue co-simulation, along with the importance of correlation between behavioural models and transistor level schematics to ensure representative behaviour for the blocks. We use a recent complex SoC design as a Test Case to provide a practical illustration of the problems that were encountered, and the solutions employed to overcome these problems.

Contents

Abstract	1
Introduction	2
Design Environment.....	4
Process Framework	4
Problem Setting and Solution	4
Design Flow	5
Designing the model	6
Calibration	7
System Level Testbench.....	7
A note on wreal use in System Level Verification.....	8
Challenges.....	9
Case Study – Lessons Learned	10
Communication.....	10
Respect the differences in the signal flow or domain	10
Design/Verification is Iterative	10
Reuse of the digital verification environment.....	11
Conclusions	11
References.....	12
Revision History	13

Introduction

With increased Analog and RF functionality on today's complex System on Chip (SoC), a shorter time to market, long simulation times and the potential of finding bugs late, the potential for a re-spin due to a design error is increased. Estimates are that over 70% of SoC design re-spins are due to mixed signal errors. As such, the importance of a clearly understood design methodology, which incorporates thorough mixed-mode verification, has never been greater. Taking a product idea from a concept through to high-yielding silicon that meets demanding performance specifications requires cross-disciplinary cooperation and many over-lapping design stages with iterative feedback loops.

A typical RF IC as shown in Figure 1 below, will contain

- RF and Analog blocks, processor or controller cores, memories, and peripherals.
- A number of control loops between analog and digital.
- Data paths and data processing across analog and digital.

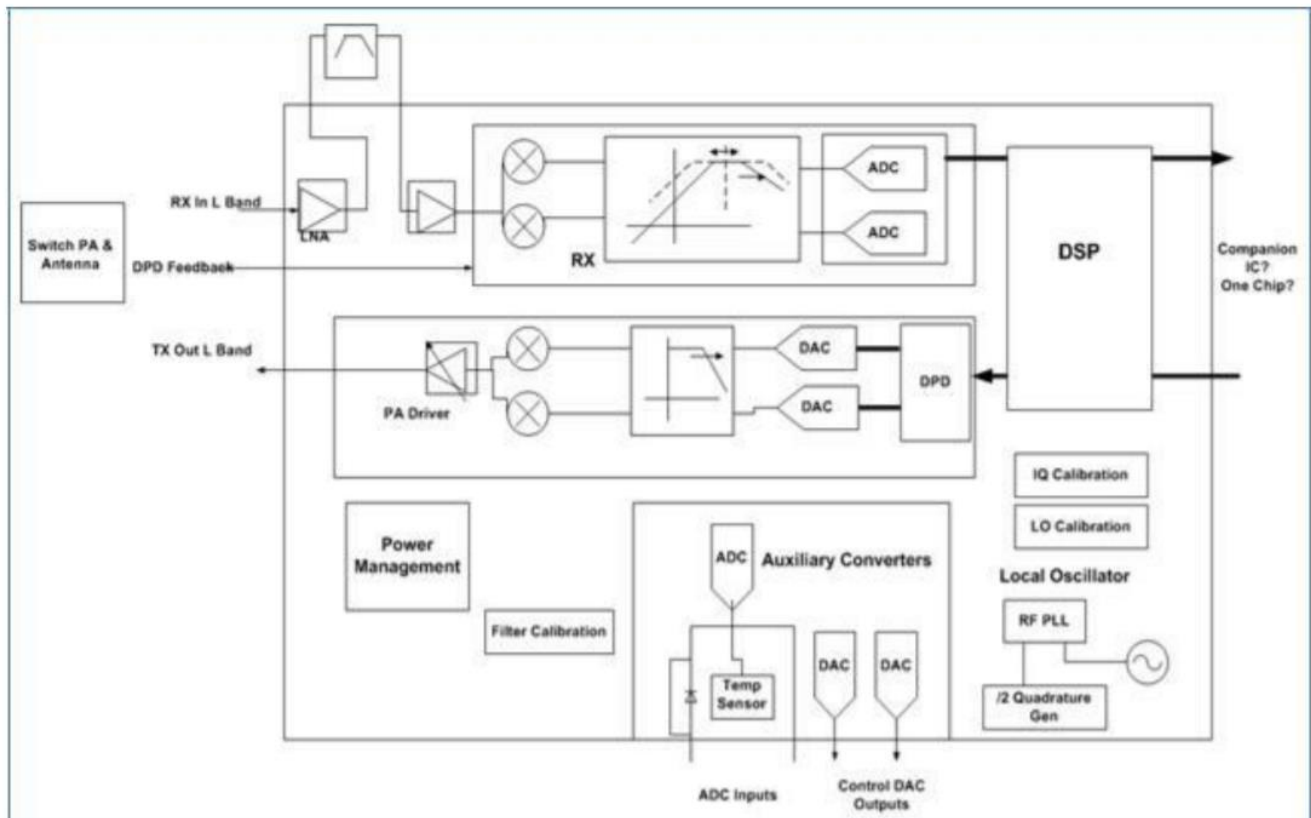


Figure 1: RF SoC Device Diagram

The preferred verification approach leverages the effectiveness and speed of Verilog-AMS (analog/mixed-signal) modelling, which is particularly suited for systems with significant RF & Analog functions.

There are many benefits of using Verilog-AMS [1]:

- A Simulation flow with rapid design convergence.
- Interoperability with standard digital environment - Common Testbench Infrastructure
- Analog interface and connectivity of both analog and digital modules derived directly from a "Golden" top level schematic.

- Comprehensive system-level simulations and simulation of the digital/analog interface with a self-checking mechanism e.g., An Ultrasim™ simulation of one analog subsystem took 3 weeks – Verilog-AMS took 3 hours.

The next sections introduce the design and verification methodology used on a recent large mixed signal SoC containing RF, analog, mixed-signal and digital blocks, followed by some of the challenges typically faced in these type of designs and lessons learned illustrated by a case study.

Design Environment

Process Framework

We use a mature and proven process framework to guide projects to a successful end, utilizing the most up-to-date process management models. Our framework incorporates CMMI (Capability Maturity Model Integration) [2], an approach that provides a collection of best practices which ensures continual process improvement. We also follow PMBOK (A Guide to the Project Management Body of Knowledge [3]) as reference models to guide our development of processes and practices for both project management and product development. All of our management processes are ISO 9001 standards compliant. This promotes the adoption of a process approach to enhance customer satisfaction by meeting customer requirements. All design centres are independently assessed and certified as meeting the requirements of ISO 9001.

Problem Setting and Solution

The challenge is to verify the design of mixed signal functions which are too complex for either a digital simulator or too large circuit simulator. The use of behavioural models with Verilog-AMS for verification reduces the probability of device defects caused by human error and allows rapid co-simulation of complex analog and digital systems. Digital simulators differ from analog simulation engines in that they are event driven and clocked, they model signals from the initial input to response. As a result, no actual voltage or current measurements are produced, but an output that is a 0, 1 or X. As the digital simulator functions in real time, the power system algorithms are quickly calculated, producing an output that represents conditions in a real system. In the analog domain, simulators calculate the state or operating point of a complete circuit. It is a static, matrix calculation that is then repeated over small increments in an attempt to model continuous time. At any given time, the output, voltage, and current are known. So then, the analog domain is contiguous while the digital is a discrete, event driven domain. Verilog-AMS is a mixed domain language combining digital & analog constructs & statements run within the Cadence® Incisive-AMS™ platform. In Verilog-AMS, both analog and digital domains are partitioned, and co-simulated with their respective solvers. Interface elements are automatically placed between analog and digital blocks when simulated. All analog and mixed-signal modules require that ports and nodes associated with respective behavioural code have disciplines declared for them.

The digital and analog sections interact by sharing data and controlling each other's events. This allows for event-driven analog blocks. Verilog can be extended to support real value nets (wreal), discussed further in Section 3.5.1.

Design Flow

At a top level, the design flow appears like a traditional waterfall model, beginning with the System Architecture, moving to the Block Design and ending with System Verification, as in Figure 2.

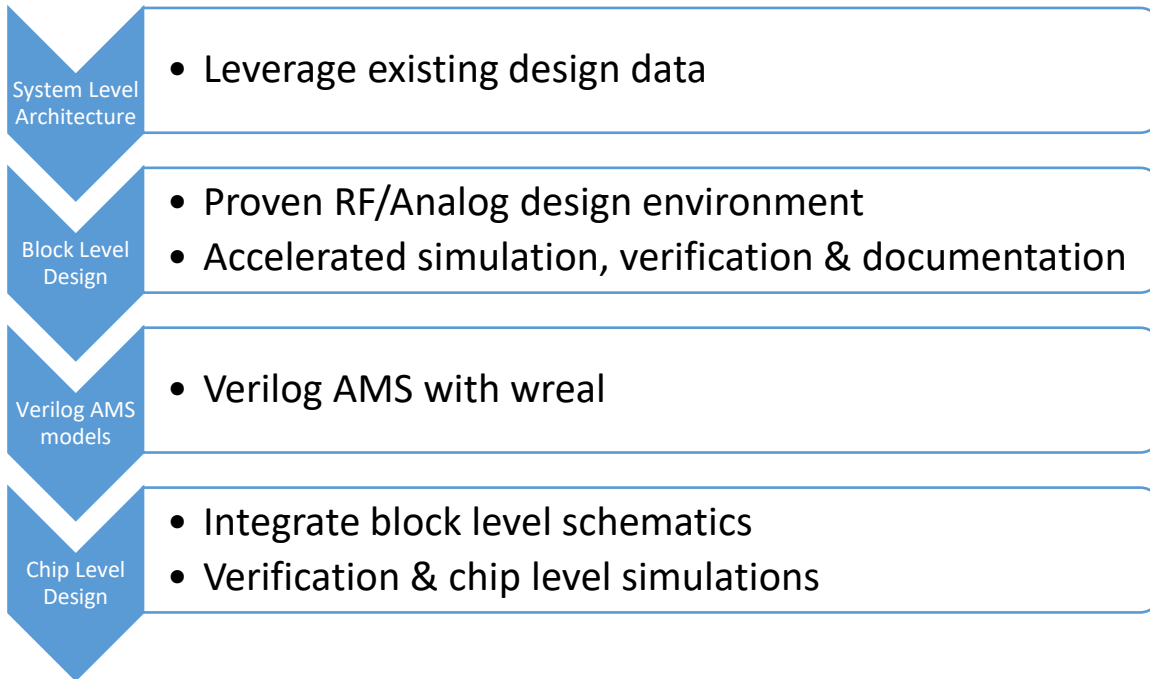


Figure 2: Traditional Design Flow Summary

However, the design flow follows more agile principals than the rigid Waterfall process shown, in Figure 3 and Figure 4 below. At a fundamental level Agile development methodology accepts that change is part of the process, something that is also part of complex analog design. Adopting an agile approach enables an accelerated schedule, by incorporating change as part of the design process. Initially, a design environment or framework is created, consisting of a high level testbench, digital core definition, analog core definition, behavioural models, and simplistic test cases, as shown in Figure 3.

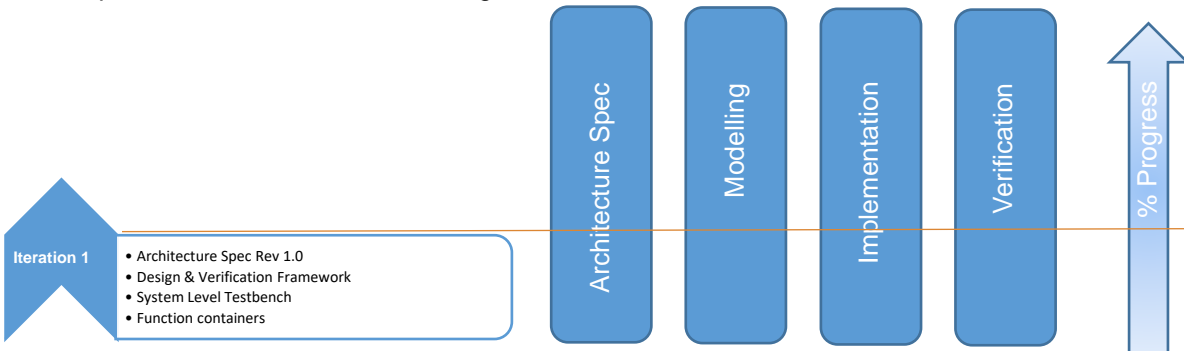


Figure 3: Design Flow Iteration 1

The project progresses by developing and refining each of the “gross” representations, as shown in Figure 4, ultimately exchanging idealized models with functional netlists.

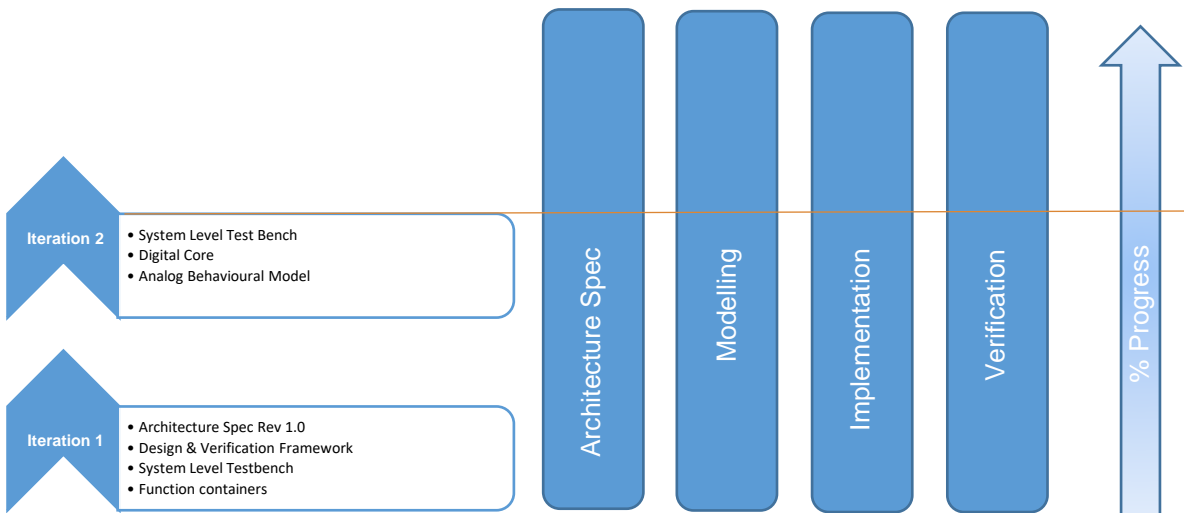


Figure 4: Design Flow Iteration 2

Designing the model

A combination of top down and bottom up design allows for efficient system partitioning while enabling performance optimization. Verilog-AMS modelling facilitates the bottom up and top down to merge effectively and to ensure adequate verification of the design before tape-out. The example we discuss contains an integrated analogue channel filter calibration block, designed from top down using Verilog-AMS. The design started with a functional specification, from which a behavioural model was developed. From this, Verilog-AMS constructs were added to model each sub block in the analog domain. As design progressed, each of the block models were replaced with a schematic netlist. The Verilog AMS models were constantly refined as specifications developed (aka changed), and ultimately resulted in clear specifications for the digital designers who used the code to write RTL for the digital blocks in the filter calibration function. Connectivity checks and bias checks in models, with blocks powering down rather than showing a fail flag, allows for quick discovery of gross errors. The chip SPI (Serial Peripheral Interface) was used to create a logical register-by-register verification flow with tailored tests for each register. Common use case scenarios were written also to augment the register-based test approach.

Block analog model development followed these general guidelines [1]:

- Use top-down design.
- Model at the appropriate level, beginning with behavioural Verilog models
- Create Verilog-AMS from behavioural views, viewed directly from the symbol. This ensures correct pin names and port order. Use the on-line editor for code syntax checking.
- Calibrate. Perform block level testbench work within chosen verification tool, this allows use of the same testbench as the schematic i.e., Verilog-AMS view is verified with circuit level simulator. Keep external analog components technology independent.
- Complexity. Model all core functionality and test modes.
- Chip convergence, digital control signals could be x or z at start up – accessing an x or z in an analog process is an error.
- Minimize the use of connect modules, used to connect analog & digital domains, to lower simulation overhead for high-speed signals.
- Avoid hard-coding values, use variables and parameters. Use parameters to vary test case operating conditions.
- Use of best-in-class point tools for each verification task (co-simulation, behavioural, spice level). Recent discussion on model accuracy versus performance is indicated in Figure 5. In our case study the approximate spice (accurate) simulation time for a transceiver was ~24 hours, while a Verilog AMS model using wreal of the same transceiver was ~1hour.

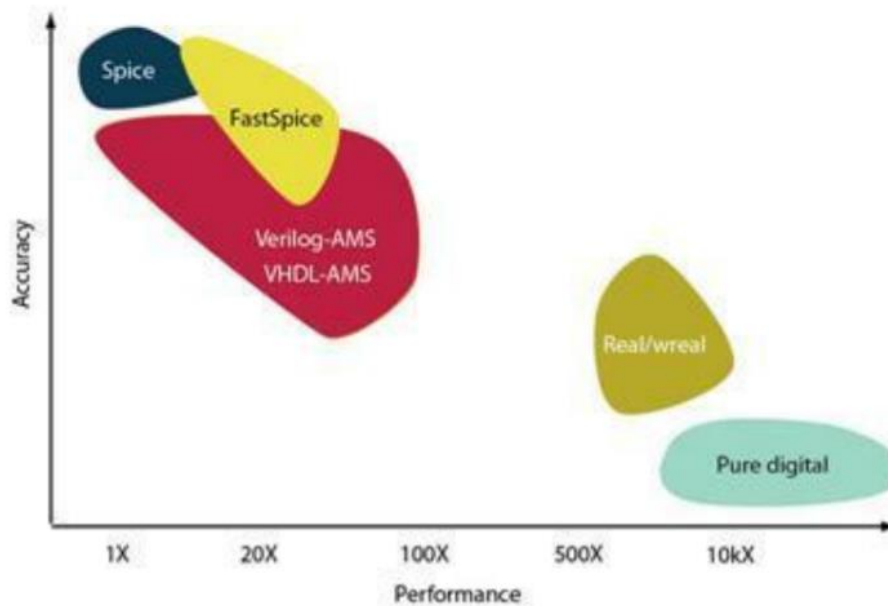


Figure 5: Optimal Tool Choice for Accuracy versus Performance Trade-off

Source: www.electronicdesign.com

Calibration

A top down schematic philosophy allows an early debug of the modelling environment. Block symbols can be in place before the schematics are completed. This enables constant refinement of Mixed Signal Design & Verification Methodology for Complex SoCs 11 each model, as the representation progresses from high level models to a final netlist. This early approach is vital to allow adequate validation of control loops, including automatic gain control (AGC), digital pre-distortion (DPD) and local oscillator (LO) feed-through calibration.

System Level Testbench

The system level testbench re-uses the digital core testbench, with a “container” for digital & analog cores. Simulations require a System Verilog/Verilog testbench, and use of high-level constructs of the language to monitor responses and data generation. Coupled with the design, the test bench creates a simulation model used by a simulation engine. Part of the Cadence Verification tool suite, Simvision™ is used as the waveform viewer [4, 5]. Operating Simvision™ in 64-bit mode is a more robust approach for the large simulation databases that often result from top-level simulations. A stable & central database allows consistency and avoids test cases failing on incremental changes, or on bugs already addressed. The testbench contains all of the necessary components for verification. The SoC is attached to the testbench, which provides inputs to drive the device while the output is monitored [6]. Verilog parameters are constants, typically used to specify the width of variables and time delays, declared within the module structure. The assigned values define a set of attributes for the module; these characterize its behaviour as well as its physical representation. Changes to module parameters are made with defparam statements. For example, to speed up simulation time for test cases that do not require realistic power up sequences, a variable can be changed to allow blocks power up more quickly for simulation purposes, as shown below.

```
`ifdef AMS
defparam funcdigital_tb.AMS_TB.car_freq = 161.48e6;
`endif

`ifdef AMS
defparam
funcdigital_tb.AMS_TB.DUT.I_funcanaloguetop.I_funcanalogue_core.I_S3ADIQ19M14BC18_1.I_S3ADIQ19M1
4BC1_8_1.trPWD = 60e-6;

defparam
funcdigital_tb.AMS_TB.DUT.I_funcanaloguetop.I_funcanalogue_core.I_S3ADIQ19M14BC18_2.I_S3ADIQ19M1
4BC1_8_1.trPWD = 60e-6;
`endif
```

A probe is a branch, at any location within the module, which is without an assigned value for either the potential or the flow. Probing certain sub-block levels such as an analogue core assists debugging, as not all required signals are known in advance:

```
probe -create funcdigital_tb.AMS_TB.DUT.I_funcanaloguetop.I_funcanalogue_core -all
```

For low signal levels, such as in a low noise amplifier (LNA) using wreal simulations, connect libs may need to be modified to show accurate behaviour.

It is possible to edit the connect libs for a particular block, where small signals (<1mV) are used. To customize connect libs for a block; we need to write an amscf.scs file, with the following example showing how the vdelta (accuracy of wreal signal) can be changed for the LNA.

"ie vsup=1.8" applies to all block and loads the default connect libs.

"ie vsup=1.8 vdelta=1.8/64/100 cell="funcrxlna_top"" is applied to the LNA.

***AMS control file**

```
amsd {
ie vsup=1.8
ie vsup=1.8 vdelta=1.8/64/100 cell="funcrxlna_top"
}
```

A note on wreal use in System Level Verification

Mixed-signal SoCs combine digital and analog circuitry on one chip. These circuits can be simulated, but non-event-driven instructions are not practical when simulating mixed-signal devices. A solution is the application of a real value (wreal) data type. Using wreal signals helps to bridge the divide between pure analog simulation and full-chip analog/mixed signal (AMS) simulation. This is necessary for two reasons: AMS simulation must account for the preponderance of digital content, and the size of these chips means that higher simulation performance is needed than would be remotely possible if you tried to simulate the entire chip at an analog level. With a wreal signal, you can take a voltage or current (but not both) between modules of the full chip, enabling operation in a signal-flow fashion thereby behaving more like a digital signal. There are some limitations which at a block level can have significant system level implications, for example specifying block models so that a worst case of block A works with worst case block B and so on, which can lead to significant system overdesign. Our approach, shown in Figure 6, cascades blocks for all corners using abstraction, which can improve efficiency by ~1dB per cascaded block. A standard results format is preconfigured in the block verification environment. All key performance specifications are stored for later use, in tables indexed by independent variables such as external conditions (process, temperature and supply voltage) and also by control signals (gain control or frequency tuning). This

enables seamless migration from block level to system level verification with minimal loss of information. The result is an environment which enables full chain performance simulations over process voltage and temperature with very acceptable run-times.

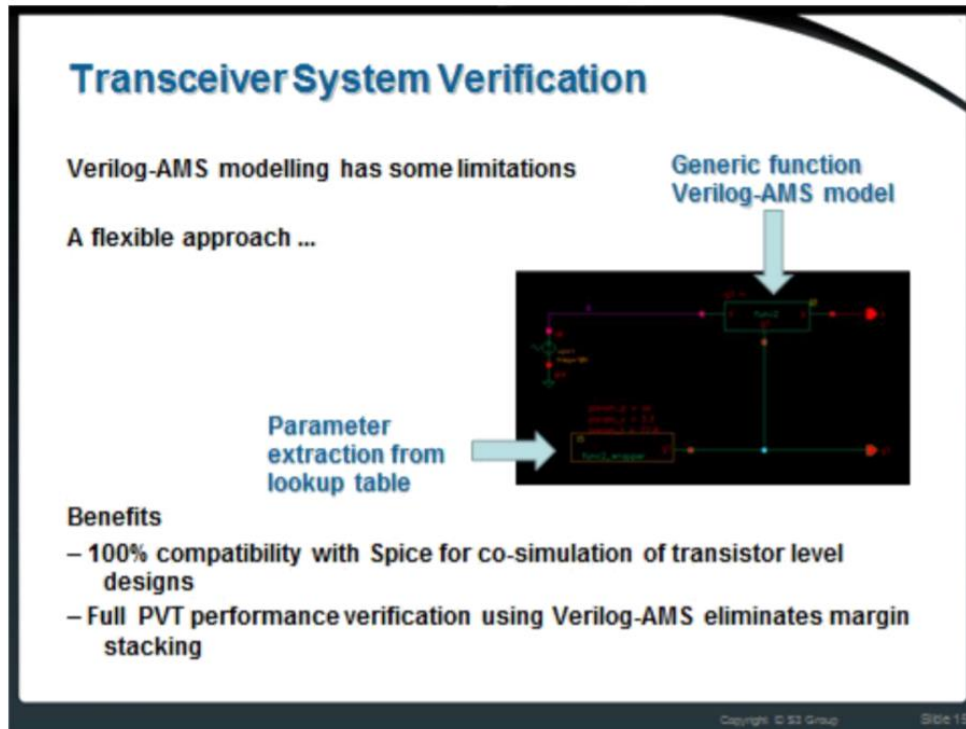


Figure 6: Transceiver System Verification

Challenges

To verify SoC power, functionality, and timing there are a host of common challenges and errors that all SoC designers have to overcome.

Specific challenges are laid out here and include:

- There are usually at least two teams (analog and digital) designing the system and communications between the teams is essential for a positive result. Code errors occur for example, where one team assumes a specific encoding and the other assumes something different. Problems may also occur when clear and consistent naming on IC architecture and interface signals is lacking.
- Flows are disconnected and inherently different. Analog signals are continuous, digital signals are not. The verification process must simulate many types of circuit behaviour including analog to digital interactions among nested analog and digital blocks, registertransfer, gate and transistors.
- A significant amount of focus goes into optimizing low level analog circuits, and block level functionality. Much less so at the analog "top-level".
- Late changes. This is a problem which is not unique to analog/digital design but one that is certain to occur in this discipline. The nature of the system dictates that the design of the digital controller block cannot be completed until analog block is designed.

Other common problems encountered in mixed signal design include:

- The models used in the design process must be testable, ready to run when the design phase of the project is complete and must be able to support a modelling language, which is not always the case.

- A verification process must have the performance and capacity to ensure accuracy within a reasonable amount of time.
- Inversion of control bits may occur when signal integrity analysis indicates a need for additional buffering and the resulting logic is not verified appropriately.
- If an analog block is part of the reset scheme of the system, then its output value may be critical for the reset of any other blocks dependent on its output.

Case Study – Lessons Learned

As outlined in the previous section the specific challenges encountered include:

- Analog and digital team communications,
- Analog and digital flows are disconnected and inherently different,
- Late changes
- Efficient reuse of the digital verification environment.

Communication

Problem

Analog and digital teams: different worlds, different mind-sets, different terminology.

Solutions

- Single team with a single team leader, ideally a technical lead engineer who is well-versed in both systems and who acts as a “liaison” between the teams, ensure cross-functional communications.
- Start the project with clear and consistent naming rules for the IC architecture and interfaces.
- Development of a high level functional/architecture specification.
- A focus on Use Cases and a common technological language.

Respect the differences in the signal flow or domain

Problem

Flows are disconnected and inherently different.

Solutions

- Use the appropriate tool or view for a given task e.g., modelling trade-off accuracy vs. speed.
- Implement small digital macros for non-critical analog routing e.g., for the configuration bus or decoders.
- Use uniform data formats in analog and digital standalone environments, especially when a 3rd party tool is involved e.g., Matlab data generators or files.

Design/Verification is Iterative

Problem

Late Changes in the project schedule. A digital controller design cannot be completed until the associated analog block is designed & verified. However, to remain on what are normally tight Mixed Signal Design & Verification Methodology for Complex SoCs 16 schedules, some degree of digital design work is necessary in parallel. In addition to design sequencing challenges, is a constrained physical implementation, and the discovery of overall performance issues outside the design specifications. These often require functional modifications (e.g., in the power architecture or filtering changes).

Solutions

- Adopt an Agile development methodology
- Use simplified behavioural models for the analog blocks initially, developing Verilog-AMS models as the design develops, eventually replacing AMS models with completed schematic netlists.
- Create a behavioural representation of digital blocks rather than creating the RTL in the early stages of development.
- Implement the digital controller core functionality and structural parts (state machine, interval timers), while the analog blocks are under development.
- Run several implementation iterations, each step requiring consistent views. The final implementation will just configure the soft core RTL. This requires multiple runs of a full digital flow RTL2-GDS2 tool set that is important for change impact analysis (area, power, routing).
- Continuous reworking of the top-level schematic – co-simulation on netlist with “dummy” views

Reuse of the digital verification environment

Problem

Digital standalone verification covers the majority of analog scenarios, but with some it may result in questionable data.

Solutions

- Build a test environment for digital standalone verification with an awareness of analog content (constrain meaningful data for Use-Cases, Min-Mid-Max VGA code, ADC start-up, etc.)
- Digital verification techniques like assertions and coverage are directly applicable to analog design.
- Interface monitors can be re-connected from digital boundary to analog blocks instances.
- Design top-level mixed mode verification to be a rerun of the existing digital test.
- A UVM based digital verification environment is easily reconfigurable for a co-simulation environment.

Conclusions

Full chip verification of large RF & mixed signal SoCs, is a specialized discipline requiring proportionally more of overall project effort as complexity grows. Complex dependencies and interactions between analog and digital domains, can lead to performance and even functional issues in silicon, resulting in re-spins the cost of which may run to millions of dollars, not just in tape out costs, but also in missed market opportunities. Mixed mode design and verification requires teamwork, and effective communications are essential in what is an iterative rather than linear process. A common language for RF, Analog & digital design and verification engineers is critical for improving communications and understanding between different roles on a team. The application of agile development methods where appropriate, enables on-going changes in specification or requirements be incorporated with minimal impact to schedule. In mixed signal SoC verification change is a matter of course, where it's the rule rather than the exception. The analyses of interdependent RF, analog and digital data path loops – an essential capability when targeting first-time-right silicon in advanced communication SoC design – is enabled by a common test bench infrastructure with self-checking capability for analog, RF and digital signals. Full chip verification of large RF/mixed signal SoCs, is a specialized discipline requiring a complex mix of dedicated flows & methodology approaches and experience to be successful. Experience counts, where “it's the magician, not the wand”, which enables first-time right silicon, on time, on budget.

References

- [1] Design and Verification of Nanometer SoCs using AMS Designer. Tony Blake, S3 Group, 2005. http://www.cdnusers.org/community/virtuoso/resources/tp_CDNlive2005_1235_daire.pdf. Accessed December 18, 2012
- [2] CMMI Product Team (CMMI) 2010, CMMI for Development, Version 1.3 (Technical Report CMU/SEI-2010-TR-033). Pittsburgh: Software Engineering Institute, Carnegie Mellon University. <http://www.sei.cmu.edu/library/abstracts/reports/10tr033.cfm> Accessed December 10, 2012.
- [3] American National Standard Institute/Project Management Institute (ANSI/PMI) 2004, A Guide to the Project Management Body of Knowledge, (PMBOK Guide), 3rd edition, ANSI/PMI 99/001/2004.
- [4] Creating Analog Behavioural Models: Verilog-AMS Analog Modelling, February 2003. http://w2.cadence.com/appnotes/CDN_Creating_Analog_Behavioral_Models.pdf accessed December 12, 2012.
- [5] Cadence Analog/Mixed-Signal Design Methodology: Overview http://www.cadence.com/rl/Resources/overview/ams_methodology_ov.pdf. Accessed December 17, 2012.
- [6] Designers Guide Consulting: Analog, Mixed-Signal & RF Verification. Verification of Complex Analog Integrated Circuits. Ken Kundert and Henry Chang, 2005. <http://www.designersguide.com/docs/cicc06-dgc.pdf> Accessed December 18, 2012

Revision History

Revision	Date	Description
1.0	Oct 01, 2015	Initial release
1.1	Dec 22, 2021	Re-brand