

Product Change Notice (PCN)

Subject: Transfer of back-end production for general-purpose linear IC products (MSOP package products)

Publication Date: 1/19/2024

Effective Date: 5/13/2024

Revision Description:

Initial Release 6/30/2023

Revision 1 1/19/2024 Change from addition of back-end production to transfer of back-end production

Description of Change:

This notice is to notify the transfer of a Back-End Factory.

< Products >

Operational amplifier ICs, Comparator ICs, Reset ICs (MSOP package products)

< Production site >

	Production site
Back-end production Transfer plant	HCA : HIGH COMPONENTS AOMORI CO.,LTD. (Japan)

< Material >

Some materials are different, but this material has been mass-produced.

Material	Current products	HCA products
Lead frame	Cu-based	Cu-based
Resin	Epoxy Resin	Epoxy Resin (Halogen Free)
Plating	Sn-Bi	Sn-Bi
Wire	Au(23um)	Au(20um)

Affected Product List:

No	Part number
1	UPC1251AMP(30)-KAA-E1-A
2	UPC1251AMP(30)-KAA-E2-A
3	UPC1251EMP(30)-KAA-E2-A
4	UPC1251EMP(38)-KAA-E2-A
5	UPC1251EMP(92)-KAA-E2-A
6	UPC1251EMP(93)-KAA-E2-A
7	UPC1251MP(30)-KAA-E1-A
8	UPC1251MP(30)-KAA-E2-A
9	UPC1251MP(31)-KAA-E1-A
10	UPC1251MP(38)-KAA-E1-A
11	UPC1251MP(38)-KAA-E2-A
12	UPC1251MP(92)-KAA-E2-A
13	UPC1251MP(93)-KAA-E2-A
14	UPC1251MP-KAA-E1-A
15	UPC1251MP-KAA-E2-A
16	UPC277MP(20)-KAA-E1-A
17	UPC277MP(30)-KAA-E1-A
18	UPC277MP(30)-KAA-E2-A
19	UPC277MP(31)-KAA-E1-A
20	UPC277MP(38)-KAA-E2-A
21	UPC277MP(92)-KAA-E2-A
22	UPC277MP-KAA-E1-A
23	UPC277MP-KAA-E2-A
24	UPC842AMP(20)-KAA-E1-A
25	UPC842AMP(20)-KAA-E2-A
26	UPC842AMP(21)-KAA-E1-A
27	UPC842AMP(21)-KAA-E2-A
28	UPC842AMP(91)-KAA-E1-A
29	UPC842AMP(91)-KAA-E2-A
30	REAC1251GSN#GC0
31	REAC1251JSN#GC0
32	REAC1251JSN#GC1
33	REAC1251JSN#GC2
34	REAC1251JSN#HC0
35	REAC1251JSN#HC1
36	REAC1251JSN#HC2
37	REAC1251JSN#HC3
38	REAC1251JSN#HC4
39	REAC1251JSN#HC5
40	READ2303GSN#GC0
41	READ2304GSN#GC0
42	REAR56953AJSN#HC1
43	REAR56953BJSN#HC1
44	REAR56957AJSN#HC1
45	REAR56957BJSN#HC1
46	REAR56958BJSN#HC1

Reason for Change:

Closure of the current Back-End Factory and for stable supply.

Impact on Fit, Form, Function, Quality & Reliability:

< Form >

There are some dimensional differences in the outline drawing, but the recommended foot pattern remains the same.

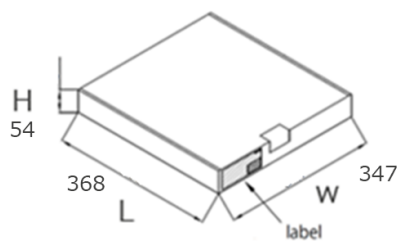
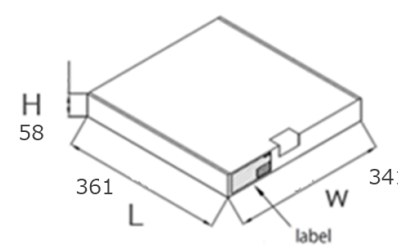
Current products		(UNIT:mm)		HCA products		(UNIT:mm)	
ITEM	DIMENSION	ITEM	DIMENSION	ITEM	DIMENSION	ITEM	DIMENSION
D	2.90	D	2.75	D	2.75	D	2.75
D1	3.00±0.20	D1	3.00±0.20	D1	2.95±0.20	D1	2.95±0.20
E	2.80	E	2.80	E	2.80	E	2.80
HE	4.00±0.20	HE	4.00±0.20	HE	4.00±0.30	HE	4.00±0.30
e	0.65	e	0.65	e	0.65	e	0.65
b	0.22±0.05	b	0.22±0.05	b	0.20 ^{+0.10} -0.05	b	0.20 ^{+0.10} -0.05
A	1.03 MAX	A	1.03 MAX	A	1.00 MAX	A	1.00 MAX
A1	0.08±0.05	A1	0.08±0.05	A1	0.05±0.05	A1	0.05±0.05
A2	0.85±0.05	A2	0.85±0.05	A2	0.85±0.10	A2	0.85±0.10
A3	0.25	A3	0.25	A3	0.25	A3	0.25
L1	0.60±0.20	L1	0.60±0.20	L1	0.60±0.20	L1	0.60±0.20
c	0.145 ^{+0.05} -0.03	c	0.145 ^{+0.05} -0.03	c	0.13 ^{+0.10} -0.05	c	0.13 ^{+0.10} -0.05
Lp	0.37±0.10	Lp	0.37±0.10	Lp	0.37±0.12	Lp	0.37±0.12
x	0.10	x	0.10	x	0.10	x	0.10
y	0.10	y	0.10	y	0.10	y	0.10
θ	3° +5° -3°	θ	3° +5° -3°	θ	7±7°	θ	7±7°
ZD	0.525	ZD	0.525	ZD	0.50	ZD	0.50

< Packaging >

The size of the tape packaging box is different as follows.

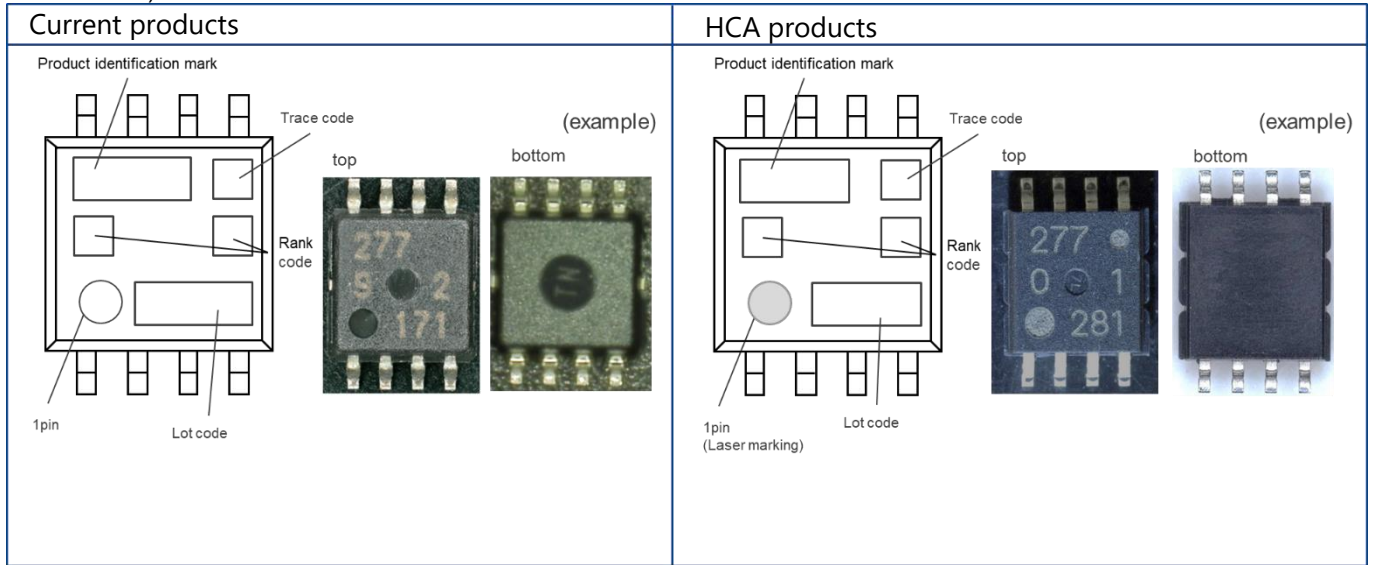
This is standard specifications that have been mass-produced.

Current products (L×W×H)	HCA products (L×W×H)
368×347×54 (mm)	361×341×58 (mm)

Current products	HCA products
<p>The label position is an image</p>  <p>Box Dimensions 368×347×54 MAX 2 reels/box</p>	<p>The label position is an image</p>  <p>Box Dimensions 361×341×58 MAX 2 reels/box</p>

Product Identification:

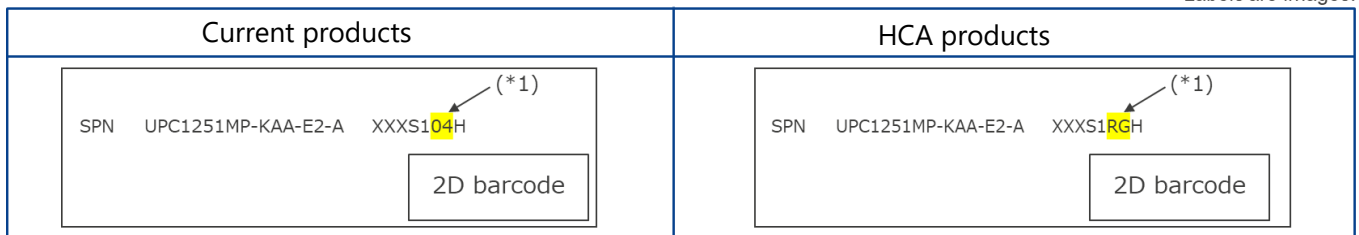
The appearance of the marking/outline (typeface, 1-pin mark, surface finish, etc.) is different, but the marking/outline information is the same. (There is no change in the marking drawing of the delivery specification.)



Production sites can be identified by labels (reels, packaging boxes).

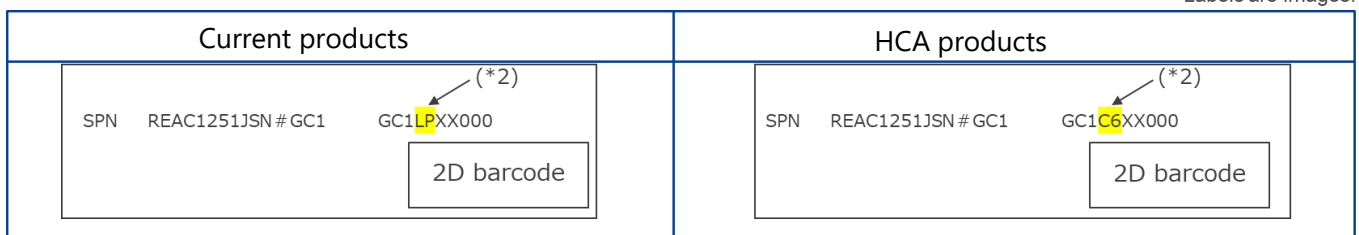
Examples of products beginning with UPC
 (*1) characters: 04 → RG

Labels are images.



Examples of products beginning with REAx
 (*2) characters: LP → C6

Labels are images.



Qualification Status: [Now Available](#)

Sample Availability Date: [Now Available](#)

Device Material Declaration: Please contact your sales representative.

Note:

1. Acknowledgement must be received by Renesas within 30 days or Renesas will consider the change as approved.
2. If timely acknowledgement is provided by Customer, then Customer shall have 90 days from the date of receipt of this PCN to make any objections to this PCN. If Customer fails to make objections to this PCN within 90 days of the receipt of the PCN then Renesas will consider the PCN changes as approved.
3. If customer cannot accept the PCN then customer must provide Renesas with a last time buy demand and purchase order.

For additional information regarding this notice, please contact your Renesas sales representative.