

[Notes]

R20TS0465EJ0100
Rev.1.00
Aug. 01, 2019

RZ/A2M Evaluation Board Kit

Outline

When using RZ/A2M Evaluation Board Kit, note the following point.

- 1. When operating RZ/A2M Evaluation Board Kit with the USB bus power

1. When Operating RZ/A2M Evaluation Board Kit with the USB Bus Power

1.1 Applicable Products

Product name: RZ/A2M Evaluation Board Kit

Product part number: RTK7921053S00000BE#WS and RTK7921053S00000BE

Serial No.: 205783 to 205882, 206675 to 206774, and 207837 to 207936

Product version (RTK7921053S00000BE only): RZ/A2M, RZ/A2M V2, RZ/A2M V3 and RZ/A2M V4

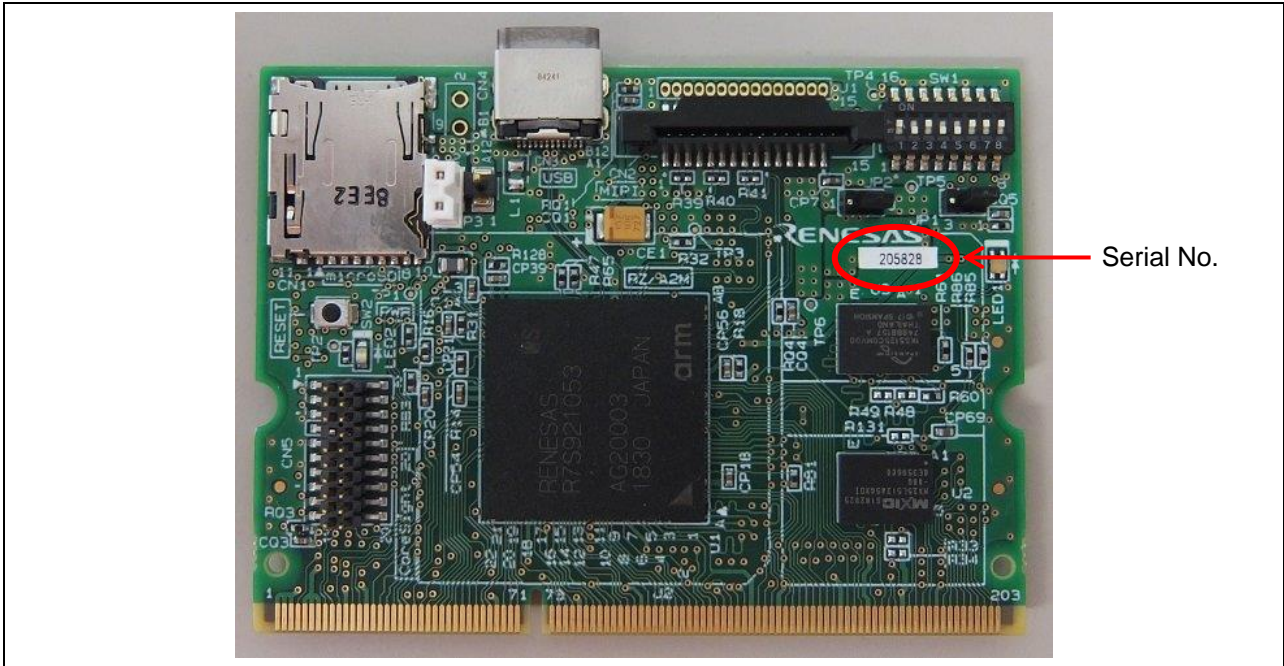


Figure 1 Serial Number on the Component Side of the CPU Board

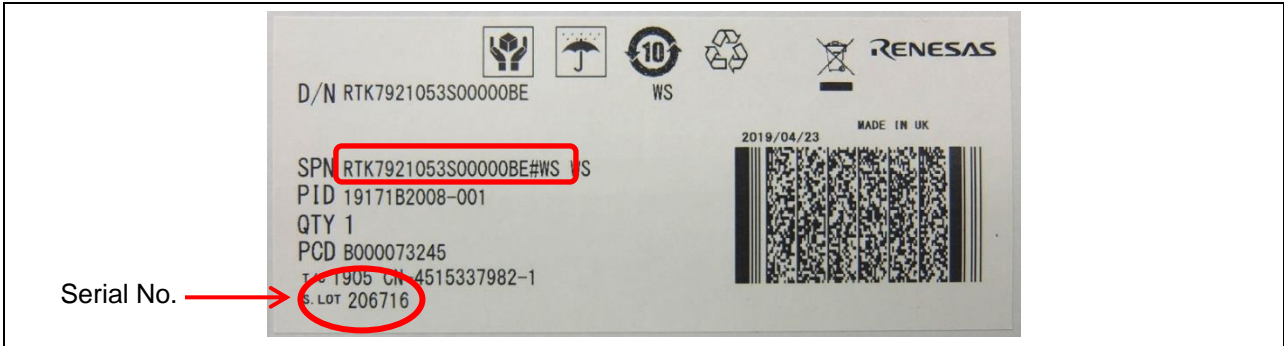


Figure 2 Serial Number on the Side of an Individual Packing Box (RTK7921053S00000BE#WS)

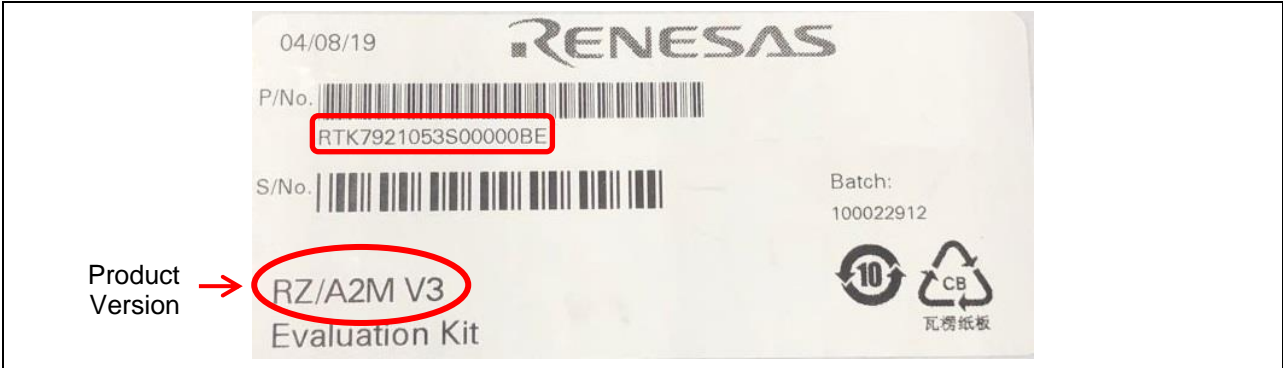


Figure 3 Product Version on the Side of an individual Packaging Box (RTK7921053S00000BE)

1.2 Details

When the RZ/A2M Evaluation Board Kit is powered with the USB bus power from the USB Mini-B connector (CN12 on the RZ/A2M sub-board), if power is supplied with the kit's power switch being turned off, the absolute maximum rating (-0.3 V to PVcc + 0.3 V = -0.3 V to +0.3 V) of the VBUSIN pin of the RZ/A2M may be exceeded, resulting in permanent damage to the LSI.

1.3 Workaround

Switch to self-power operation, or use the kit with the power switch always on.

To turn off the kit's power switch by operating the USB bus power, first stop the power supply from the USB host device, or unplug the USB cable.

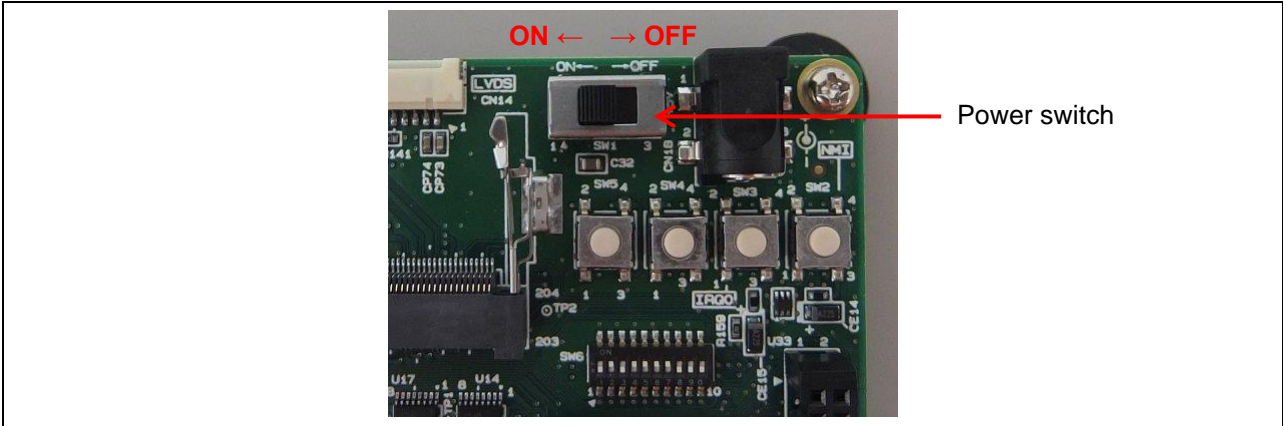


Figure 4 Power Switch on the Component Side of the Sub-board

1.4 Solution

Follow the action described in section 1.3 Workaround.

Please note that we cannot accept any request for a return or replacement regarding this matter.

If you are designing a board referring to the circuit diagram of this kit, add a buffer which can apply voltage when the power is off and change the circuit so that no voltage is applied to the VBUSIN pin when the RZ/A2M power is off (PVcc = 0V).

Inclusion of this solution will commence from the next manufacturing lot (scheduled to be released in the first quarter of 2020).

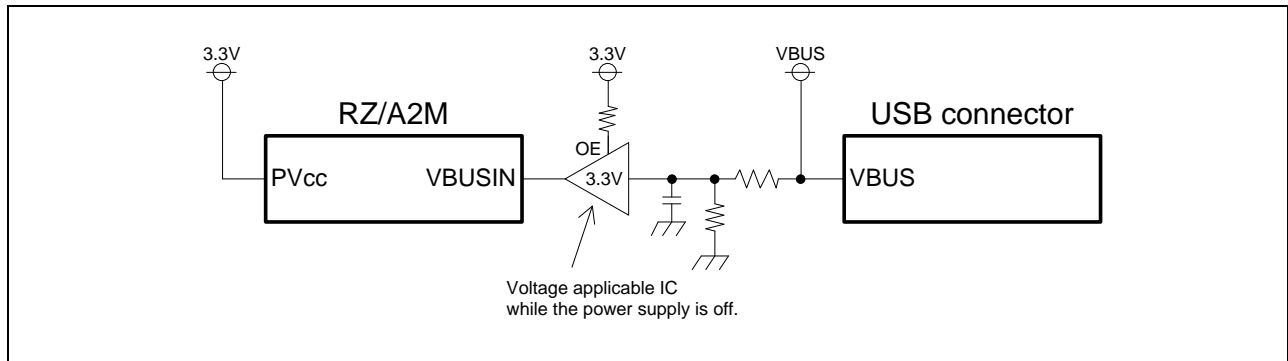


Figure 5 VBUSIN Circuit Example

Revision History

Rev.	Date	Description	
		Page	Summary
1.00	Aug.01.19	-	First edition issued

Renesas Electronics has used reasonable care in preparing the information included in this document, but Renesas Electronics does not warrant that such information is error free. Renesas Electronics assumes no liability whatsoever for any damages incurred by you resulting from errors in or omissions from the information included herein.

The past news contents have been based on information at the time of publication. Now changed or invalid information may be included.

The URLs in the Tool News also may be subject to change or become invalid without prior notice.

Corporate Headquarters

TOYOSU FORESIA, 3-2-24 Toyosu,
Koto-ku, Tokyo 135-0061, Japan
www.renesas.com

Contact information

For further information on a product, technology, the most up-to-date version of a document, or your nearest sales office, please visit:
www.renesas.com/contact/.

Trademarks

Renesas and the Renesas logo are trademarks of Renesas Electronics Corporation. All trademarks and registered trademarks are the property of their respective owners.