

# RENESAS TECHNICAL UPDATE

1753, Shimonumabe, Nakahara-ku, Kawasaki-shi, Kanagawa 211-8668 Japan  
Renesas Electronics Corporation

Product Category	MPU/MCU		Document No.	TN-SH7-A881A/E	Rev.	1.00
Title	SH7751 Group, SH7751R Group English Manual Revision Number, Electrical Characteristics and Package Dimensions Manual Correction		Information Category	Technical Notification		
Applicable Product	SH7751 Group, SH7751R Group	Lot No.	Reference Document	SH7751 Group, SH7751R Group User's Manual: Hardware (R01UH0457EJ0301, R01UH0457EJ0401)		
		All lots				

Regarding SH7751 and SH7751R Groups, there are manual corrections about the English manual revision number, electrical characteristics (AC specifications) and package dimensions.

The cancellation line parts are removed (before correction) and the gray parts are added (after correction).

[Correction]

## 1. Notice of English manual revision number correction

Revision number has been corrected from 3.01 to 4.01 because of numbering error. These two manuals have the same contents and the revision 4.01 manual is available at the Renesas web site (Rev.4.01 Document No: R01UH0457EJ0401).

## 2. Electrical Characteristics Correction

Reference document: "23.3.2 Control Signal Timing"

### 1) SH7751R (Page 1012, Table 23.19 Control Signal Timing, There are five correction parts.)

Max value of bus buffer on time from standby and STATUS delay time are corrected.

Item	Symbol	HD6417751		HD6417751		HD6417751		HD6417751		Unit
		Min	Max	Min	Max	Min	Max	Min	Max	
Bus buffer on time from standby	tBON2	-	<del>2</del> 1	-	<del>2</del> 1	-	<del>2</del> 1	-	<del>2</del> 1	tCYC
STATUS0/1 delay time	tSTD1	-	<del>5</del> 3	-	6	-	6	-	6	ns

Note \*: This is the case when the device in use is an HD6417751RBA240HV running at 200MHz.

### 2) SH7751 (Page 1013, Table 23.20 Control Signal Timing, There is one correction part.)

Max value of STATUS delay time is corrected.

Item	Symbol	HD6417751BP167(V) HD6417751F167(V)		Unit
		Min	Max	
STATUS0/1 delay time	tSTD1	-	<del>9</del>	ns

3) SH7751 and SH7751R (Page 1015, Figure 23.12 (2) Pin Drive Timing for Software Standby Mode)

Operation mode description is corrected as follows.

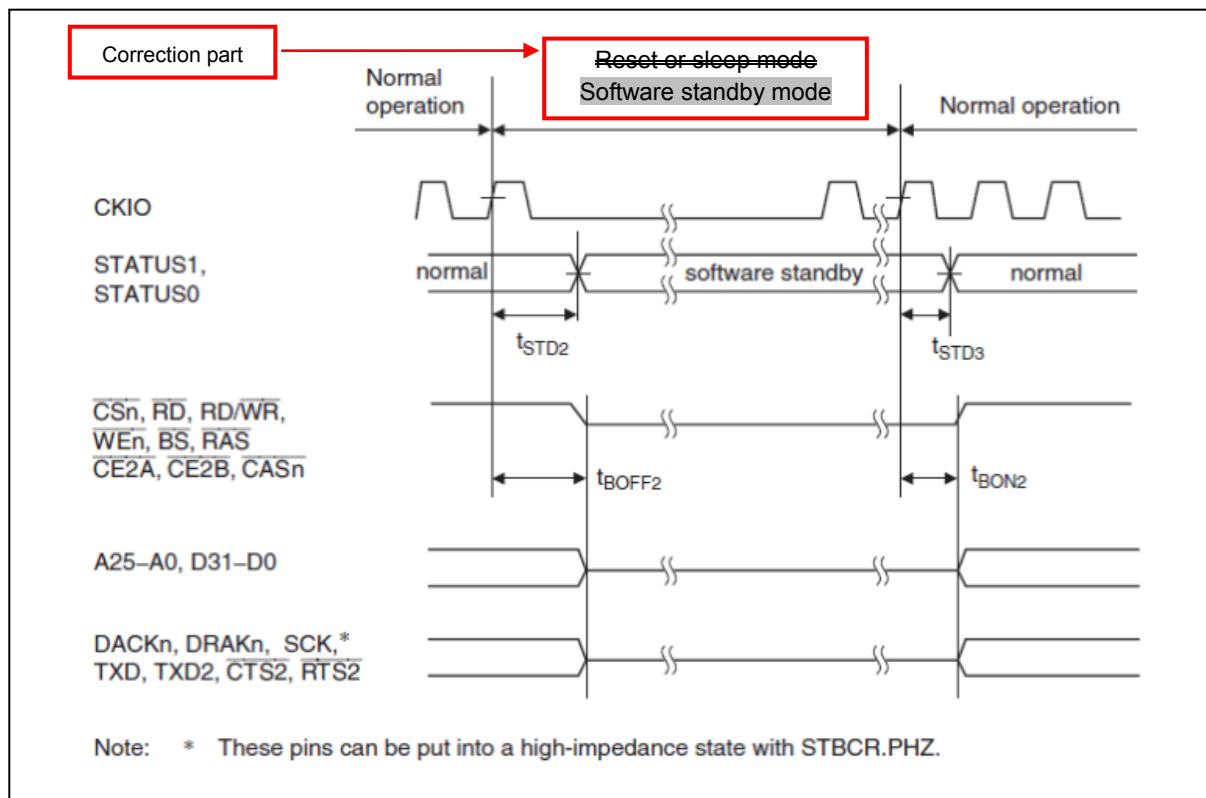


Figure 23.12 (2) Pin Drive Timing for Software Standby Mode

3. Package Dimensions Correction

Reference Document: "Appendix B Package Dimensions"

- SH7750R (Page 1094, Figure B.4 Package Dimensions (256-pin BGA: HD6417751RBA240HV))

Ball diameter ( $\phi b$ ) specification of the HD6417751RBA240HV is corrected as follows.

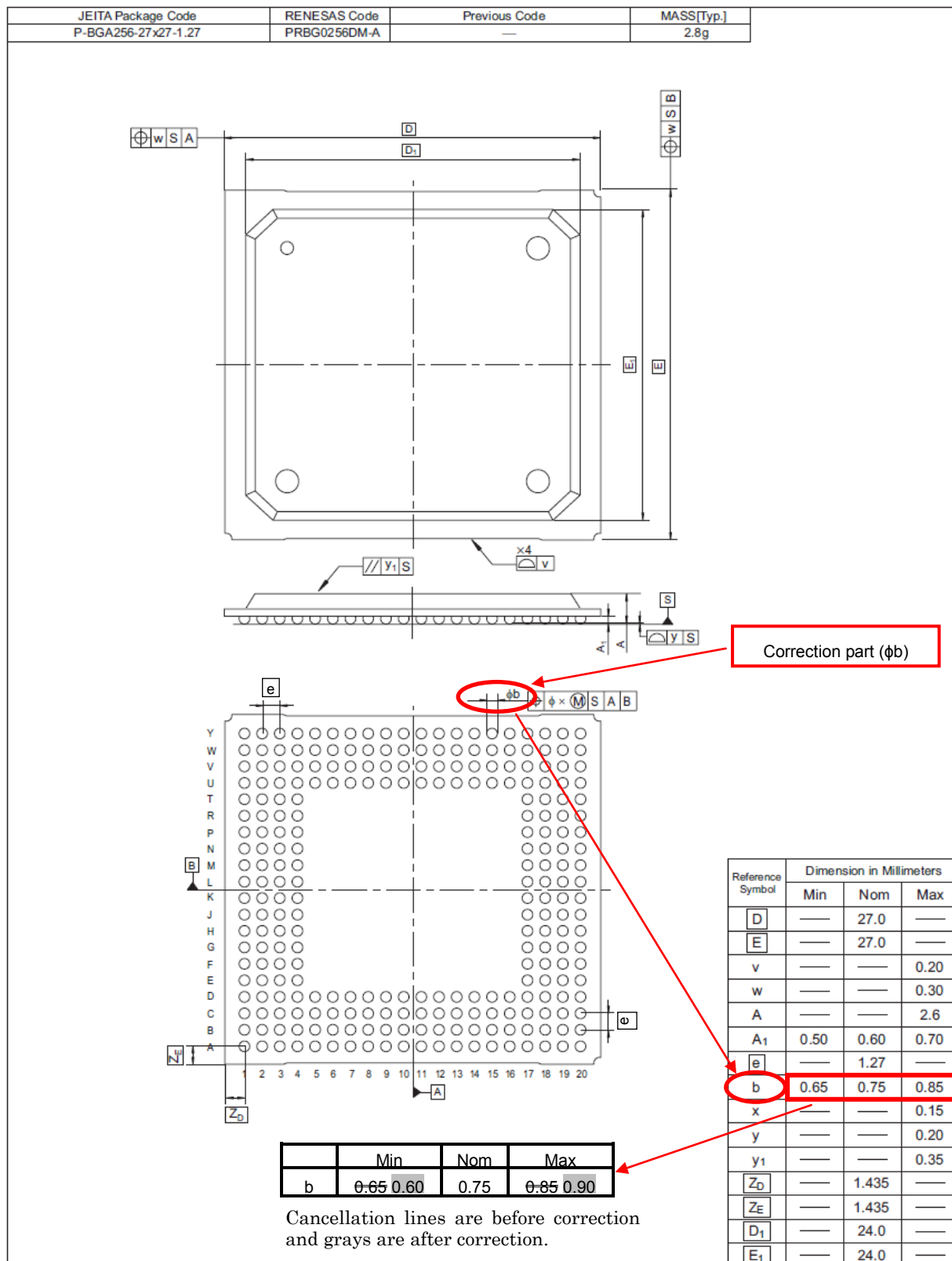


Figure B.4 Package Dimensions  
(256-pin BGA: HD6417751RBA240HV)

- End of Correction -