

RENESAS TECHNICAL UPDATE

TOYOSU FORESIA, 3-2-24, Toyosu, Koto-ku, Tokyo 135-0061, Japan
Renesas Electronics Corporation

Product Category	MPU/MCU		Document No.	TN-SH7-A906A/E	Rev.	1.00
Title	SH7750,SH7750S,SH7750R,SH7751,SH7751R group new packages		Information Category	Change of packages		
Applicable Product	SH7750 series, SH7751 series	Lot No.	Reference Document	SH7750,SH7750S,SH7750R Group User's Manual: Hardware Rev.7.02(R01UH0456EJ0702) SH7751 Group, SH7751R Group User's Manual: Hardware Rev.4.01(R01UH0457EJ0401)		
		ALL				

The package dimensions of SH7750, SH7750S, SH7750R, and SH7751, SH7751R will be changed. The product name and the package code of new package for the current package will be table 1, and new package dimensions will be figure 1 and figure 2.

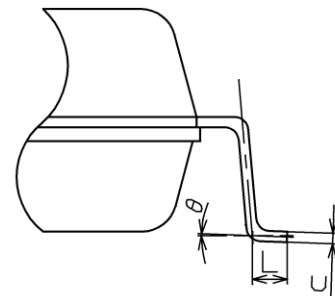
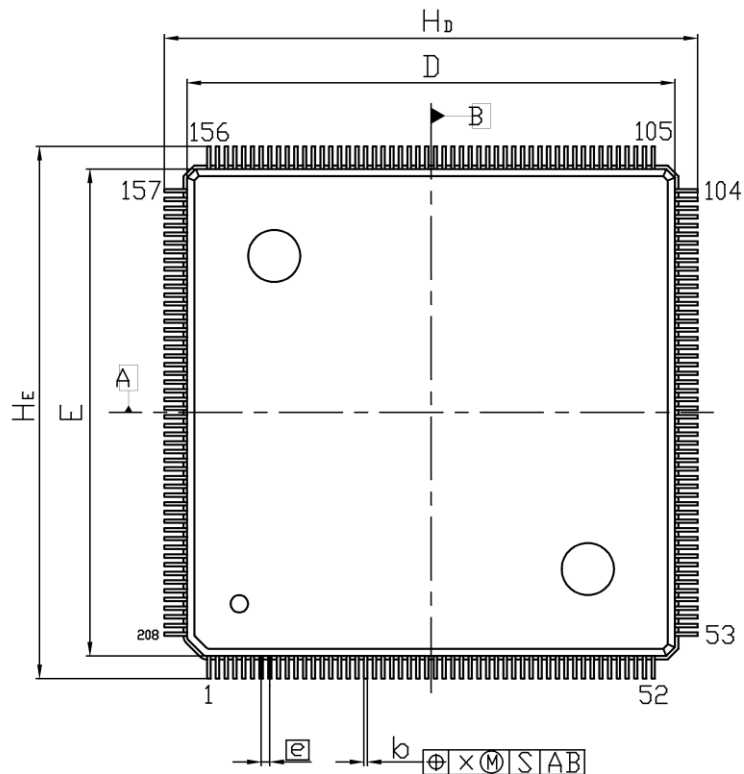
No.	Product Name		Package Code	
	Before	After	Before	After
1	HD6417750F167V	HD6417750X167V	PRQP0208KE-B	PRQP0208KJ-A
2	HD6417750RF200DV	HD6417750RX200DV	PRQP0208KE-B	PRQP0208KJ-A
3	HD6417750RF200V	HD6417750RX200V	PRQP0208KE-B	PRQP0208KJ-A
4	HD6417750RF240DV	HD6417750RX240DV	PRQP0208KE-B	PRQP0208KJ-A
5	HD6417750RF240V	HD6417750RX240V	PRQP0208KE-B	PRQP0208KJ-A
6	HD6417750SF167V	HD6417750SX167V	PRQP0208KE-B	PRQP0208KJ-A
7	HD6417750SF200V	HD6417750SX200V	PRQP0208KE-B	PRQP0208KJ-A
8	HD6417750SVF133V	HD6417750SVX133V	PRQP0208KE-B	PRQP0208KJ-A
9	HD6417751F167V	HD6417751X167V	PRQP0256LA-B	PRQP0256LC-A
10	HD6417751RF200V	HD6417751RX200V	PRQP0256LA-B	PRQP0256LC-A
11	HD6417751RF240V	HD6417751RX240V	PRQP0256LA-B	PRQP0256LC-A

Table 1 Product name and package code

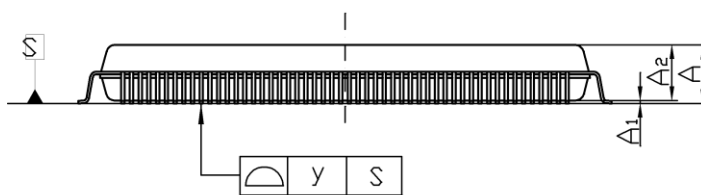
1. New package future

- 1) Pin arrangement and pin functions will not be changed.
- 2) Package dimensions will be on next pages.
- 3) Electrical characteristics and operating temperature will be not changed.

JEITA Package Code	RENESAS Code	MASS [Typ.]
P-QFP208-28 × 28-0.50	PRQP0208KJ-A	5.9 g



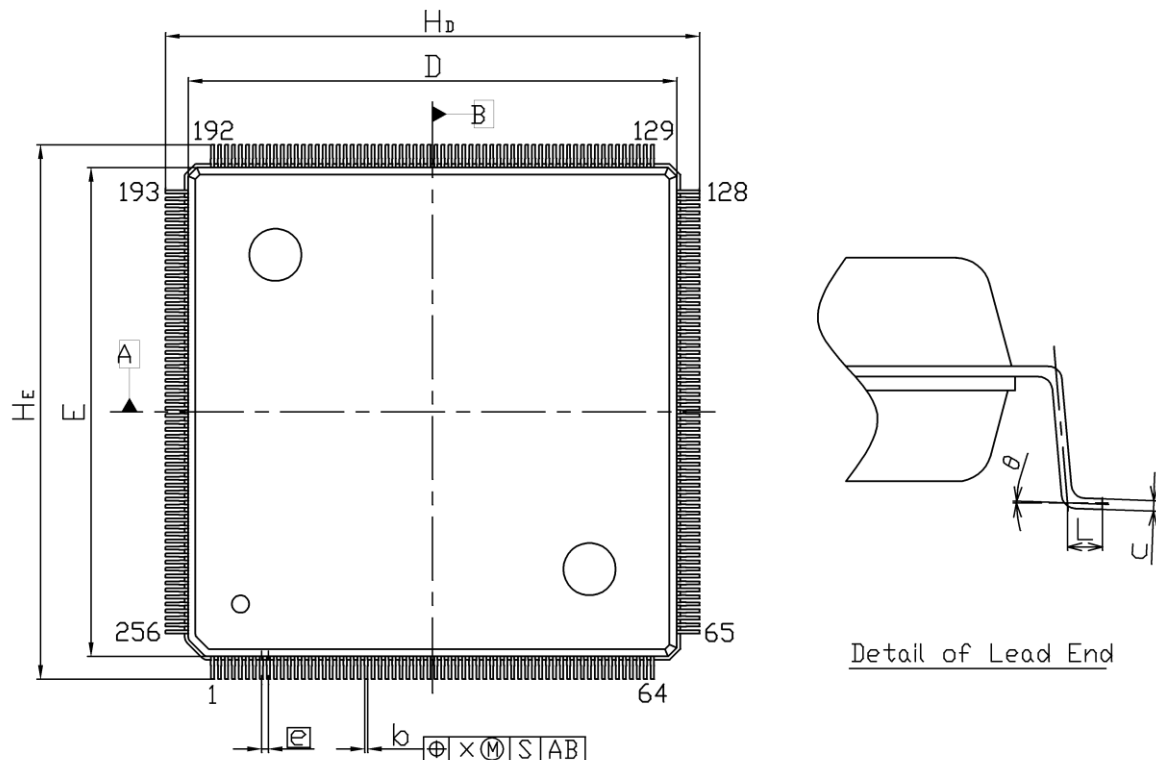
Detail of Lead End



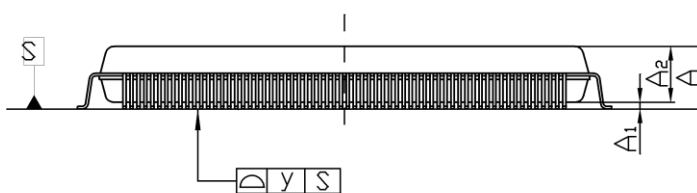
Reference Symbol	Dimension in Millimeters		
	Min.	Nom.	Max.
D		28.0	
E		28.0	
HD	30.4	30.6	30.8
HE	30.4	30.6	30.8
A			3.56
A1	0.00	0.15	0.25
A2		3.20	
b	0.17	0.22	0.27
c	0.12	0.17	0.22
L	0.40	0.50	0.60
θ	0°		8°
e		0.50	
x			0.10
y			0.10

Figure 1 Package dimensions

JEITA Package Code	RENESAS Code	MASS [Typ.]
P-QFP256-28 × 28-0.40	PRQP0256LC-A	6.0 g



Detail of Lead End



Reference Symbol	Dimension in Millimeters		
	Min.	Nom.	Max.
D		28.0	
E		28.0	
HD	30.4	30.6	30.8
HE	30.4	30.6	30.8
A			3.95
A1	0.25	0.40	0.50
A2		3.20	
b	0.13	0.18	0.23
c	0.12	0.17	0.22
L	0.30	0.50	0.70
θ	0°		8°
e		0.40	
x			0.11
y			008

Figure 2 Package dimensions