

# RENESAS TECHNICAL UPDATE

TOYOSU FORESIA, 3-2-24, Toyosu, Koto-ku, Tokyo 135-0061, Japan  
Renesas Electronics Corporation

Product Category	MPU/MCU	Document No.	TN-RX*-A0218A/E	Rev.	1.00
Title	Errata to User's Manual: Hardware for the RX66T and RX72T Groups Regarding the Example of a USB External Connection Circuit		Information Category	Technical Notification	
Applicable Product	RX66T Group, RX72T Group	Lot No.	Reference Document	RX66T Group User's Manual: Hardware Rev.1.10 (R01UH0749EJ0110) RX72T Group User's Manual: Hardware Rev.1.00 (R01UH0803EJ0100)	
		All			

This document describes a correction to the “USB 2.0 FS Host/Function Module (USBb)” chapter in the User's Manual: Hardware for the applicable products.

• Page 1412 of 2306 (RX66T)/Page 1390 of 2277 (RX72T)

Figure 31.3, Functional Connection of USB Connector in Self-Powered State is corrected as follows.

Use of the circuit shown before the correction will not cause any problems if it is under the condition  $VCC = 3.3\text{ V}$ .

Before correction

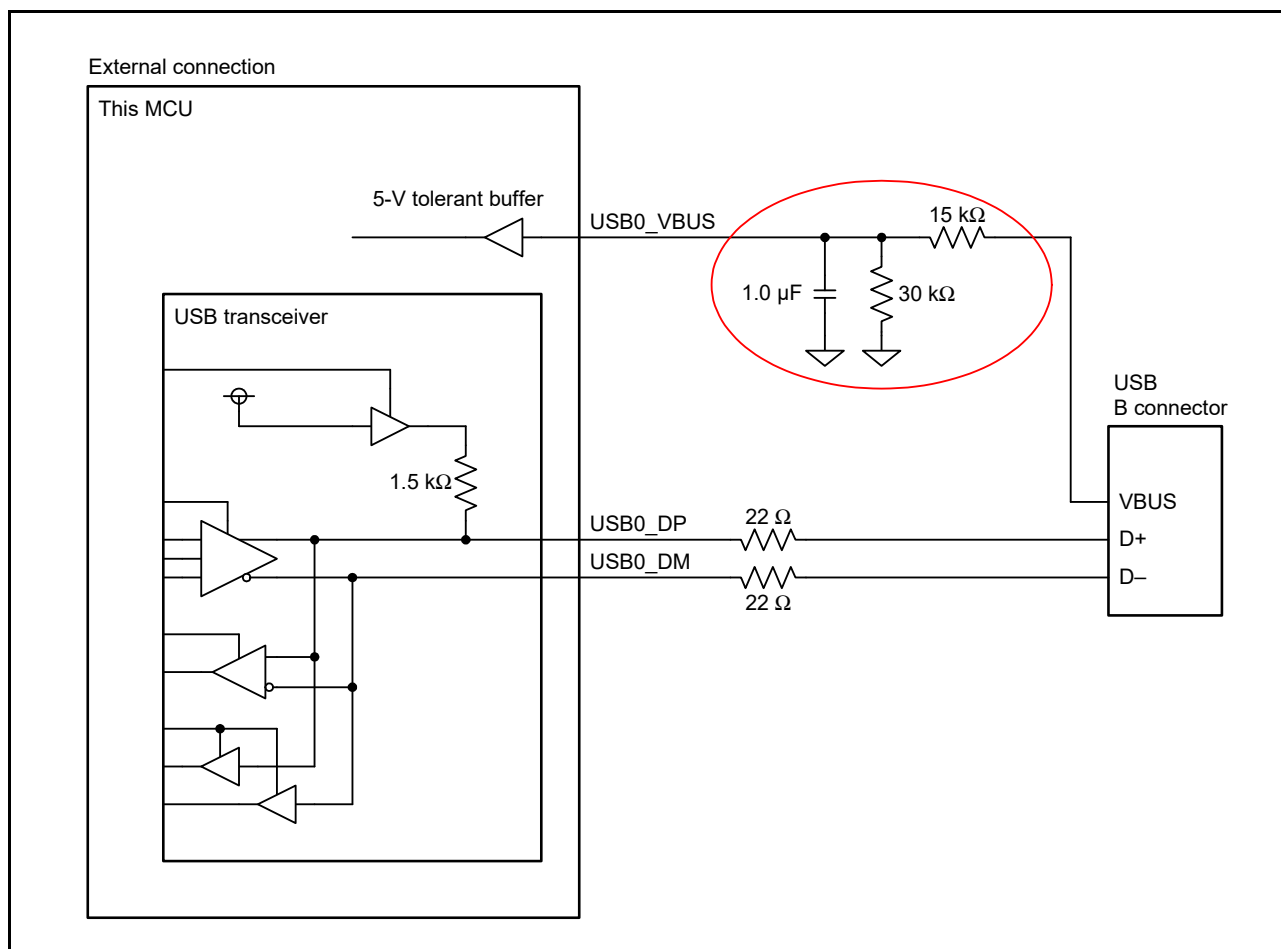


Figure 31.3 **Functional Connection of USB Connector in Self-Powered State**

After correction

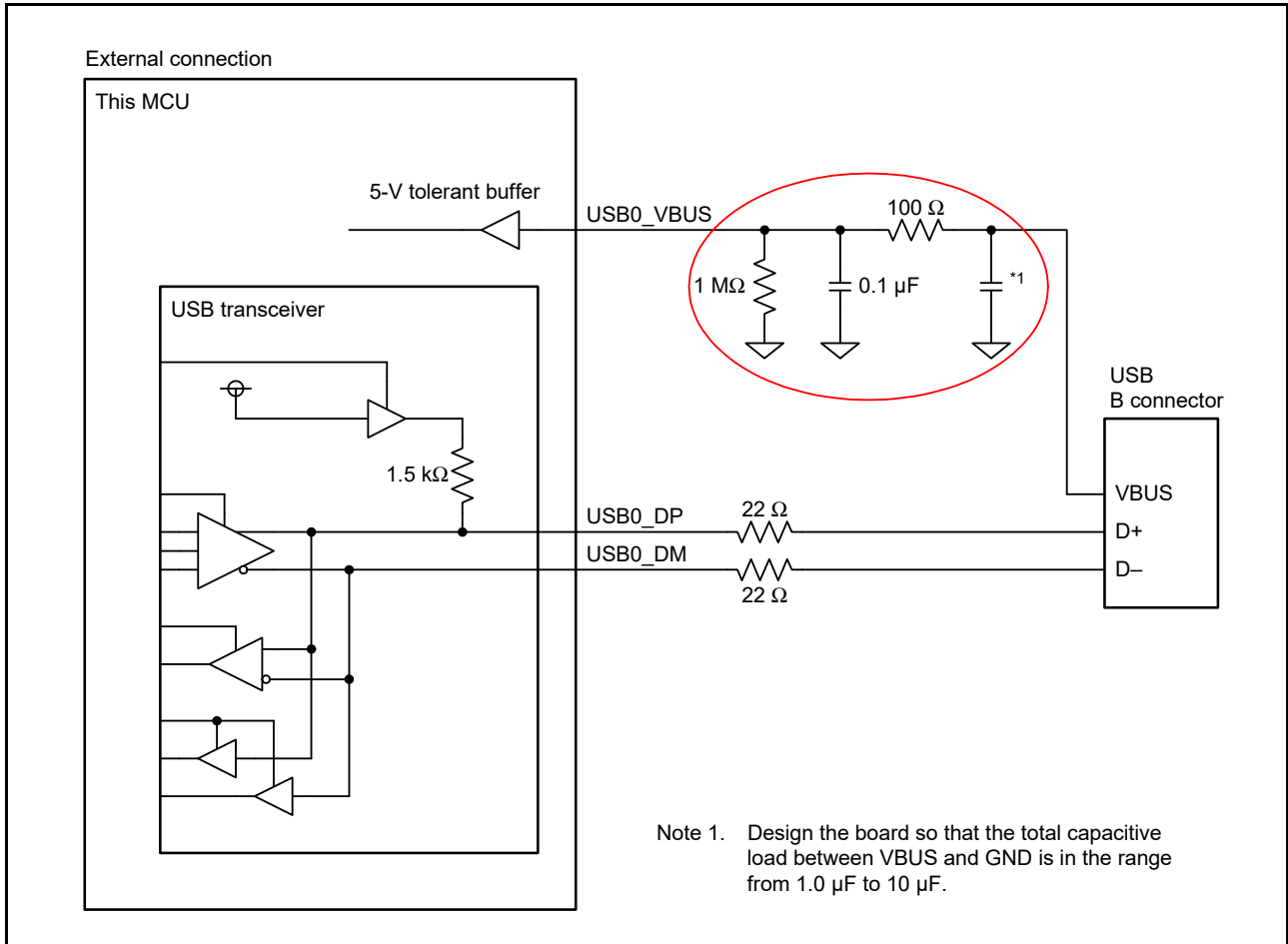


Figure 31.3 Example of Connection with USB Connector in Self-Powered Function