

RENESAS TECHNICAL UPDATE

1753, Shimonumabe, Nakahara-ku, Kawasaki-shi, Kanagawa 211-8668 Japan
Renesas Electronics Corporation

Product Category	MPU/MCU		Document No.	TN-16C-A200A/E	Rev.	1.00
Title	Errata to R32C/116 Group, R32C/117 Group, R32C/118 Group, R32C/116A Group, R32C/117A Group, R32C/118A Group User's Manuals		Information Category	Technical Notification		
Applicable Product	R32C/116 Group R32C/117 Group R32C/118 Group R32C/116A Group R32C/117A Group R32C/118A Group	Lot No.	Reference Document	R32C/116 Group User's Manual: Hardware Rev. 1.10 (REJ09B0532-0110) R32C/117 Group User's Manual: Hardware Rev. 1.10 (REJ09B0533-0110) R32C/118 Group User's Manual: Hardware Rev. 1.10 (REJ09B0534-0110) R32C/116A Group User's Manual: Hardware Rev. 1.00 (REJ09B0575-0100) R32C/117A Group User's Manual: Hardware Rev. 1.00 (REJ09B0576-0100) R32C/118A Group User's Manual: Hardware Rev. 1.00 (REJ09B0577-0100)		

This document describes corrections to the I/O Pins chapter of the user's manuals listed above.

Chapter Numbers and Page Numbers for Each Group

Group Name	Chapter No.	Page No.
R32C/116	25	393 of 520
R32C/117	26	476 of 604
R32C/118	26	490 of 618
R32C/116A	26	404 of 541
R32C/117A	27	487 of 625
R32C/118A	27	501 of 639

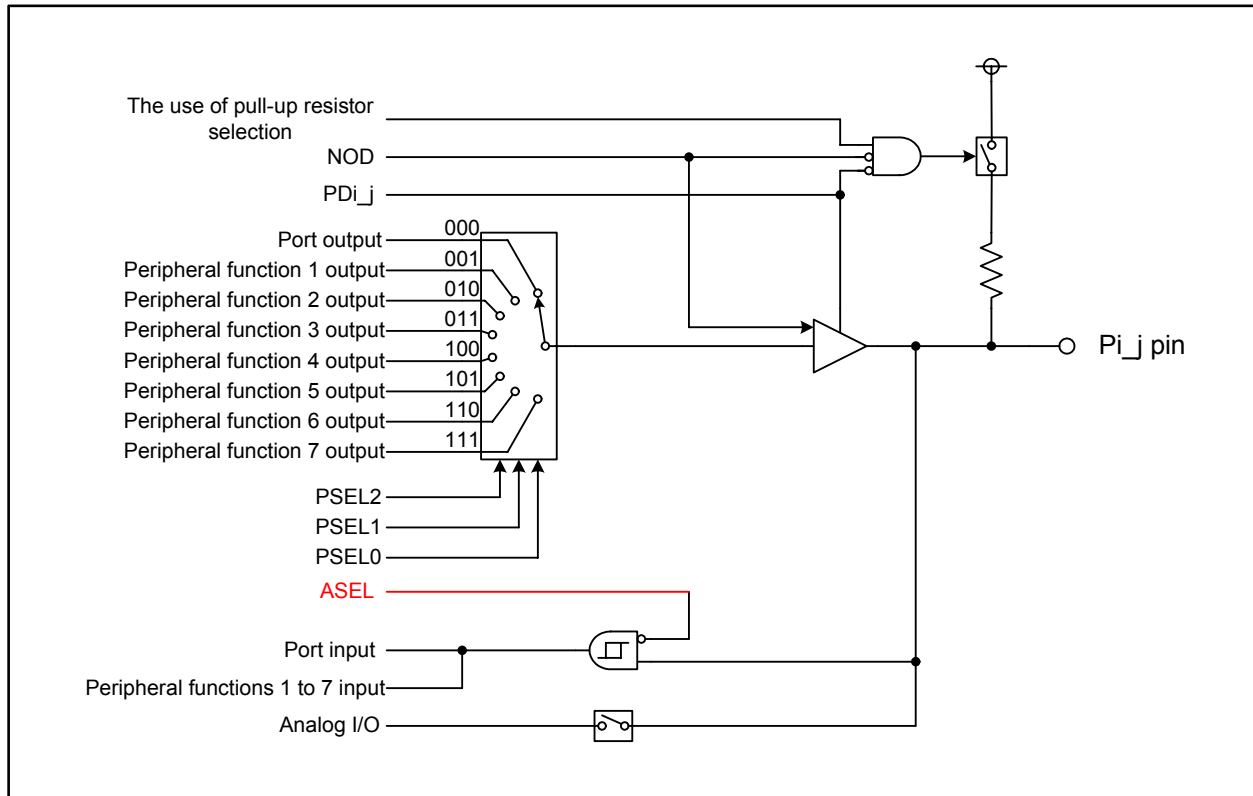
The corrections are indicated in red in the list below.

- Description in lines 5 and 6 of the I/O Pins chapter was corrected as follows:

“However, a pull-up resistor is separated from other peripheral functions even if it is enabled, when a pin functions as an output pin.”

(“or an analog I/O pin” was deleted.)

•The typical I/O pin block diagram in the first page of the I/O Pins chapter was corrected as follows:



(The ASEL bit was deleted from conditions for separating a pull-up resistor.)