

To our customers,

Old Company Name in Catalogs and Other Documents

On April 1st, 2010, NEC Electronics Corporation merged with Renesas Technology Corporation, and Renesas Electronics Corporation took over all the business of both companies. Therefore, although the old company name remains in this document, it is a valid Renesas Electronics document. We appreciate your understanding.

Renesas Electronics website: <http://www.renesas.com>

April 1st, 2010
Renesas Electronics Corporation

Issued by: Renesas Electronics Corporation (<http://www.renesas.com>)

Send any inquiries to <http://www.renesas.com/inquiry>.

RENESAS TECHNICAL UPDATE

Nippon Bldg., 2-6-2, Ohte-machi, Chiyoda-ku, Tokyo 100-0004, Japan
RenesasTechnology Corp.

Product Category	User Development Environment	Document No.	TN-EML-113A/EA	Rev.	1.0
Title	Correction of Errors in the H8S Family E10A Emulator Additional Document for User's Manual Specific Guide for the H8S/2218F E10A Emulator		Information Category	Correction or Supplement of Document	
Applicable Product	H8S/2218F E10A Emulator HS2218KCM01H HS2218KCI01H	Lot No.	Reference Document	H8S Family E10A Emulator Additional Document for User's Manual Specific Guide for the H8S/2218F E10A Emulator (REJ10B0018-0100H, Rev1.00)	
		V1.0.00			

Please note that there are errors in the H8S Family E10A Emulator Additional Document for User's Manual Specific Guide for the H8S/2218F E10A Emulator (REJ10B0018-0100H, Rev1.00), which must be corrected as listed below.

Descriptions:

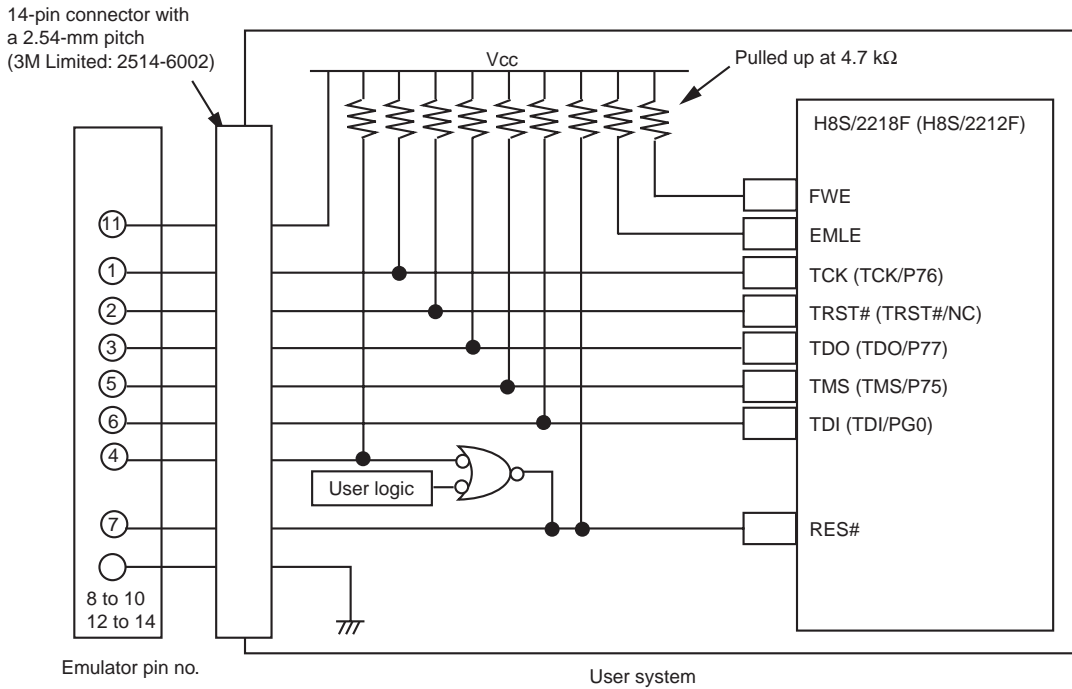
Correction 1: Figure 1.2 in page 3, figure 1.3 in page 4, and figure 1.7 in page 7

(After change)

Pull up pin FWE. Due to a change of pin names for the H8S/2218F MCU, we have deleted the multiplexed names of the five pins.

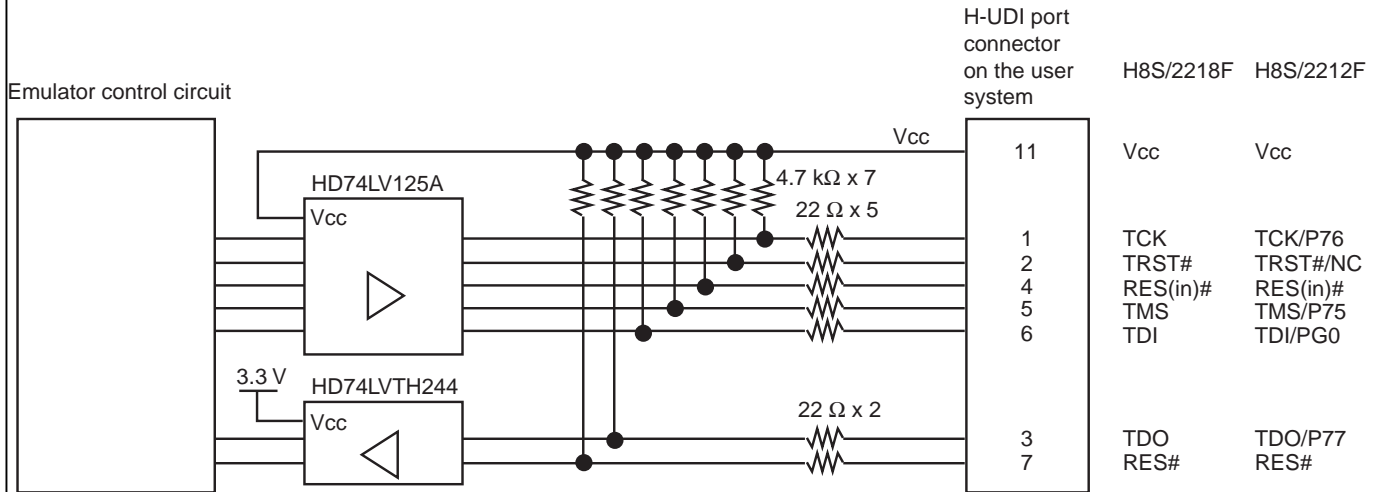
Pin No.	MCU Pin Name H8S/2218F	MCU Pin Name *5 H8S/2212F	Input/Output *1
1	TCK	TCK/P76	Input
2	TRST#	TRST#/NC	Input
3	TDO	TDO/P77	Output
4	RES(in)# *2 *6	RES(in)# *2 *6	Input
5	TMS	TMS/P75	Input
6	TDI	TDI/PG0	Input
7	RES(out)# *2	RES(out)# *2	Output
8 to 10	GND *3	GND *3	—
12 to 14			
11	Vcc *4	Vcc *4	—

Figure 1.2 Pin Assignments of the H-UDI Port Connector



- RES(in)# of pin 4 of the H-UDI port connector is a signal line in which the emulator outputs signals to the MCU. RES(in)# (pin 4) and the user logic reset circuit for the signal line must be connected to the MCU as shown above.
- RES(out)# of pin 7 of the H-UDI port connector is a signal line in which the emulator monitors the RES# signal of the MCU. The RES# must be pulled up before it is connected to pin 7 of the H-UDI port connector.
- Alphanumeric in parentheses indicate the signals of the H8S/2212F.

Figure 1.3 Example of Emulator Connection



Note: RES(in) cannot be directly connected to the MCU pins.

Figure 1.7 Interface Circuit in the Emulator

Correction 2: Note 1 in page 5

We have modified the description due to the change of the pin names of the H8S/2218F MCU.

(Before change)

TRST#/NC, TCK/NC, TMS/NC, TDO/NC, and TDI/NC are used by the emulator for the H8S/2218F.

(After change)

TRST#, TCK, TMS, TDO, and TDI are used by the emulator for the H8S/2218F.

Correction 3: Note 7 in page 7

We have added description of the FWE pin processing.

(New)

7. Pin FWE must be pulled up if the emulator is connected to the user system.

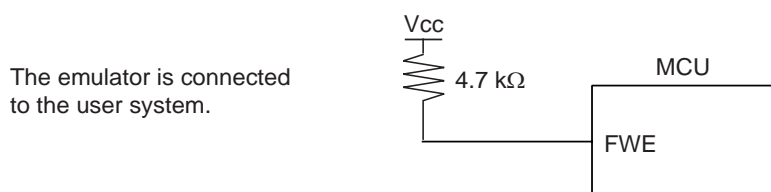


Figure 1.8 Connection of Pin FWE

Correction 4: Note 8 in page 7

We have added description of a boundary scan function.

(New)

8. The H8S/2218F has a boundary scan function. To use the H8S/2218F without connecting the emulator, refer to the description in section 13.5, Usage Notes, in the H8S/2218F group hardware manual, and connect the H8S/2218F to the emulator.

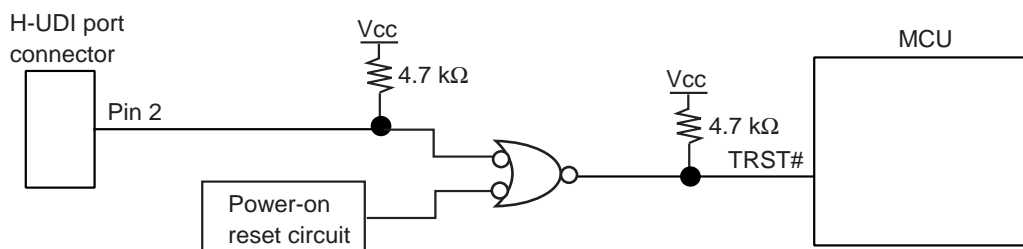


Figure 1.9 TRST# of the H8S/2218F (Reference)