

To our customers,

Old Company Name in Catalogs and Other Documents

On April 1st, 2010, NEC Electronics Corporation merged with Renesas Technology Corporation, and Renesas Electronics Corporation took over all the business of both companies. Therefore, although the old company name remains in this document, it is a valid Renesas Electronics document. We appreciate your understanding.

Renesas Electronics website: <http://www.renesas.com>

April 1st, 2010
Renesas Electronics Corporation

Issued by: Renesas Electronics Corporation (<http://www.renesas.com>)

Send any inquiries to <http://www.renesas.com/inquiry>.

HITACHI SEMICONDUCTOR TECHNICAL UPDATE

Classification of Production	Tools		No	TN-EML-088A/E	
THEME	Correction of the Description in the H8S/2339F E10A Emulator User's Manual	Classification of Information	1. Spec change 2. Supplement of Documents 3. Limitation of Use	4. Change of Mask 5. Change of Production Line	
PRODUCT NAME	HS2339KCM01H or HS2339KCI01H	Lot No.	Reference Documents	H8S/2339F E10A Emulator User's Manual Rev. 1.0 (ADE-702-226)	Rev.
		All lots			1.0

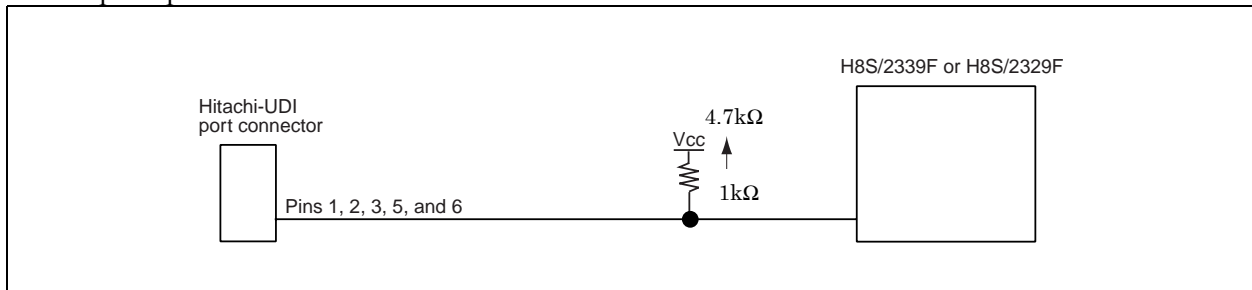
We will correct the description in Hitachi's H8S/2339F E10A Emulator User's Manual as shown below.

Section 6 H8S/2339F E10A Emulator Specifications

Notes:

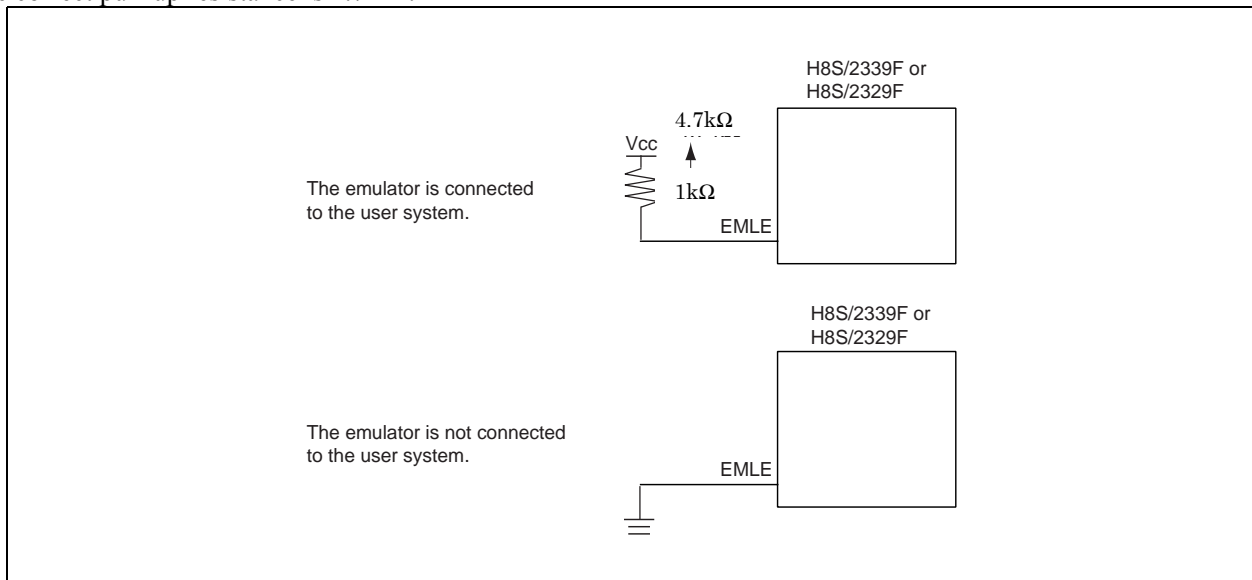
1. (Figure 6.2 on p. 125)

The correct pull-up resistance is 4.7 kΩ.



2. (Figure 6.3 on p. 125)

The correct pull-up resistance is 4.7 kΩ.



3. (p.126)
Deleted.

4. (Figure 6.5 on p. 126)
The correct pull-up resistance is 4.7 k Ω .

