

Brief Description

The ZIOL2201 is a line driver/level shifter IC that provides an HV* I/O channel with a wide range of configurable system features. It addresses the physical layer of sensor/actuator systems in factory automation applications, and it is specifically designed to support the communication standard IO-Link[†].

The output driver is a push-pull stage that reaches an R_{DSon} of less than 6.6Ω at all operational temperatures.

The configuration is stored in an on-chip EEPROM and automatically loaded into the ZIOL2201's control register during power-up. The ZIOL2201 also provides status information, such as overload and over-temperature. An integrated SPI interface supports access to configuration and status registers.

The ZIOL2201 is fabricated in a powerful CMOS mixed-signal technology allowing supply voltages up to 40V. EEPROM read/write functionality is guaranteed within the entire operating temperature range in combination with a low-voltage 3.3V core supply.

Features

- Configurable output current limitation: 56mA to 410mA
- Standard cable driver/ physical layer transceiver for IO-Link (device)
- Slew-rate controlled driver
- Wide range for configurable feature set, which is automatically loaded after power-on reset
- Onboard DC/DC converter
- IO-Link-specific WURQ[‡] detection
- On-chip registers and EEPROM for system configuration and status information
- SPI interface for accessing on-chip registers and EEPROM
- Digital interface: 3.3V output, 5V tolerant inputs
- IC temperature monitoring/diagnosis
- Over-current and over-temperature indication

Benefits

- Configurable feature set
- Nonvolatile storage of system configuration
- Excellent electromagnetic compatibility (EMC) performance due to adjustable output slew rate control
- Low R_{DSon} of 6.6Ω
- Programmable limitation of driver output current
- DC/DC converter on-chip
- EEPROM read/write functionality within entire operating temperature range
- Space saving 4x4mm² 24-pin QFN

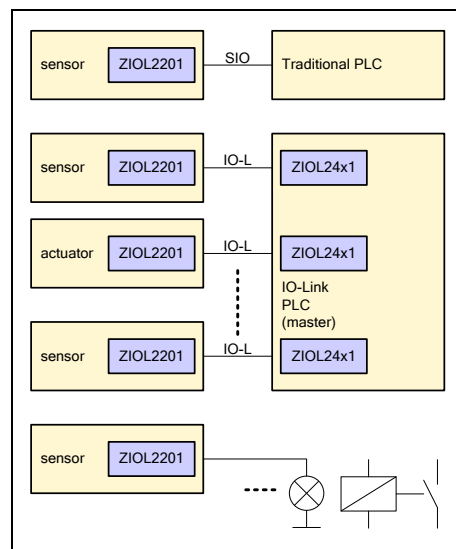
Available Support

- Evaluation Kits
- Application Notes

Physical Characteristics

- Operation temperature -40 to +85 °C
- Supply voltage 8.0 to 36.0 V
- QFN 24 package 4x4mm

ZIOL2201 Application Circuits



* HV: high voltage (maximum power supply / signal swing is 36V).

† IDT is a member of the IO-Link Community: www.io-link.com.

‡ IO-Link device wake-up.

Typical Applications

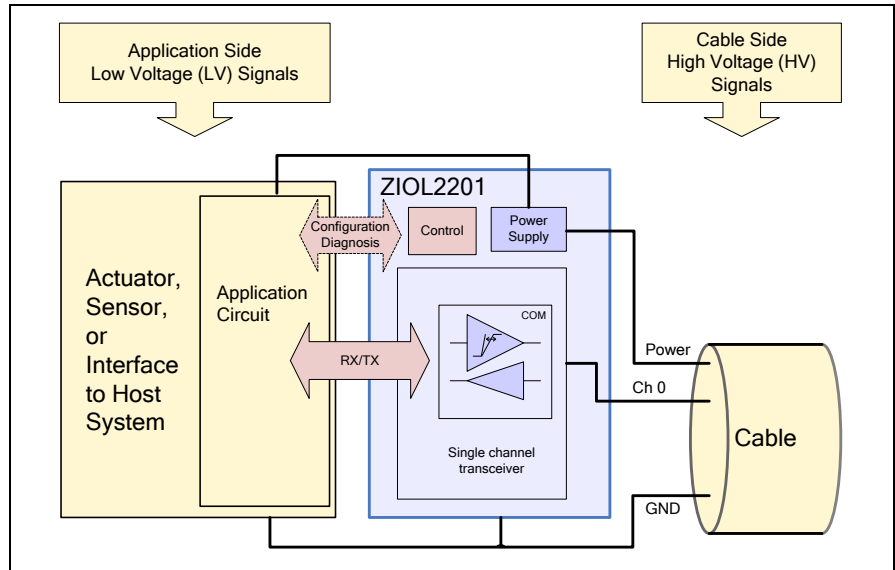
In field applications, the ZIOL2201 acts as a universal cable driver. The ZIOL2201 can support IO-Link communications as a physical-layer transceiver (PHY) for IO-Link devices.

Common applications:

- 24V line driver/level shifter
- IO-Link-compliant devices

See the ZIOL2xxx IC Family Data Sheet for detailed technical information.

ZIOL2201 Overview



Ordering Information

Product Sales Code	Description	Package
ZIOL2201BI1R	Single Channel IO-Link-compliant HV Line Driver, 4x4mm QFN24	13" reel
ZIOL2201BI1W	Single Channel IO-Link-compliant HV Line Driver, 4x4mm QFN24	7" reel
IO-Link Lab Kit V2.0 #3600100858	ZIOL2401 Lab Kit for detailed laboratory evaluation: configurable IC/Communication/Controller Board, USB cable; software is available for download from www.IDT.com with a free customer login (see data sheet for details).	
ZIOL2401 Starter-Kit #3600100369	ZIOL2401 Starter Kit for product demonstration: USB stick, extension board, downloadable software	

Document Revision History

Revision	Date	Description
2.20	August 27, 2015	Updates for order codes. Update for template and contact information. Update for current limitation minimum. Update for information about software download. Minor edits for clarity.
	January 26, 2016	Changed to IDT branding.

IMPORTANT NOTICE AND DISCLAIMER

RENESAS ELECTRONICS CORPORATION AND ITS SUBSIDIARIES (“RENESAS”) PROVIDES TECHNICAL SPECIFICATIONS AND RELIABILITY DATA (INCLUDING DATASHEETS), DESIGN RESOURCES (INCLUDING REFERENCE DESIGNS), APPLICATION OR OTHER DESIGN ADVICE, WEB TOOLS, SAFETY INFORMATION, AND OTHER RESOURCES “AS IS” AND WITH ALL FAULTS, AND DISCLAIMS ALL WARRANTIES, EXPRESS OR IMPLIED, INCLUDING, WITHOUT LIMITATION, ANY IMPLIED WARRANTIES OF MERCHANTABILITY, FITNESS FOR A PARTICULAR PURPOSE, OR NON-INFRINGEMENT OF THIRD PARTY INTELLECTUAL PROPERTY RIGHTS.

These resources are intended for developers skilled in the art designing with Renesas products. You are solely responsible for (1) selecting the appropriate products for your application, (2) designing, validating, and testing your application, and (3) ensuring your application meets applicable standards, and any other safety, security, or other requirements. These resources are subject to change without notice. Renesas grants you permission to use these resources only for development of an application that uses Renesas products. Other reproduction or use of these resources is strictly prohibited. No license is granted to any other Renesas intellectual property or to any third party intellectual property. Renesas disclaims responsibility for, and you will fully indemnify Renesas and its representatives against, any claims, damages, costs, losses, or liabilities arising out of your use of these resources. Renesas' products are provided only subject to Renesas' Terms and Conditions of Sale or other applicable terms agreed to in writing. No use of any Renesas resources expands or otherwise alters any applicable warranties or warranty disclaimers for these products.

(Rev.1.0 Mar 2020)

Corporate Headquarters

TOYOSU FORESIA, 3-2-24 Toyosu,
Koto-ku, Tokyo 135-0061, Japan
www.renesas.com

Contact Information

For further information on a product, technology, the most up-to-date version of a document, or your nearest sales office, please visit:
www.renesas.com/contact/

Trademarks

Renesas and the Renesas logo are trademarks of Renesas Electronics Corporation. All trademarks and registered trademarks are the property of their respective owners.