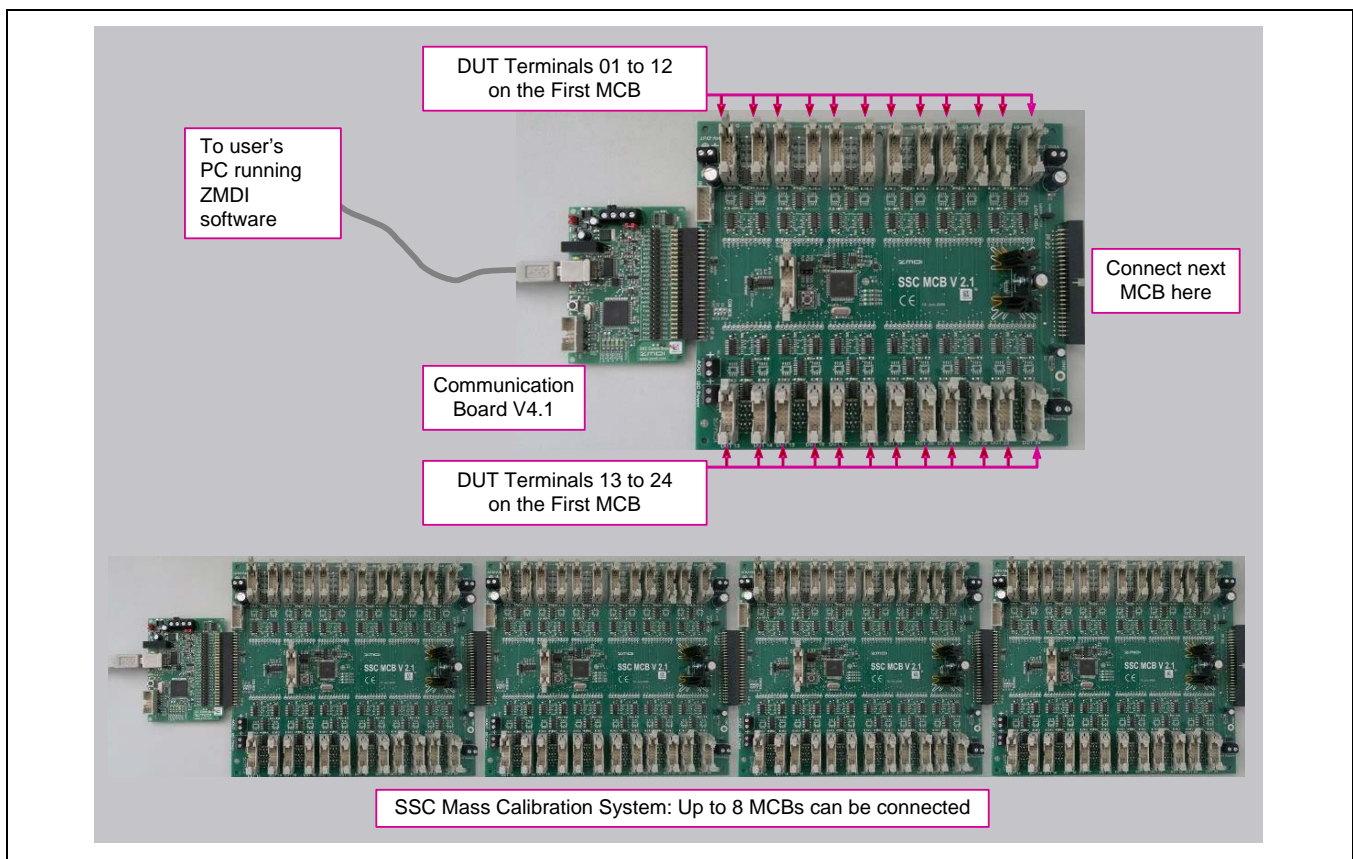


IDT's Sensor Signal Conditioner (SSC) Mass Calibration Tools

IDT's SSC Modular Mass Calibration System (SSC MCS) provides support for experienced users in testing and evaluating different methods of calibrating sensor modules containing IDT SSC ICs under conditions of series production. Note: The SSC MCS is intended for development, evaluation, and laboratory setup of sensor modules with IDT's SSC ICs only. User-friendly graphical user interfaces allow controlling the following functions using the system boards, which include the SSC Communication Board (SSC CB), SSC Mass Calibration Board (SSC MCB), and optional IC-specific SSC Mass Calibration Reference Boards (SSC MCRs):

- Individually addressing up to 24 IDT ICs under test (DUTs) mounted on individual SSC MCRs or user-provided sensor modules connected to each MCB connected in the system
- Mass calibration of up to 192 DUTs via series connection of up to eight MCBs using an individual address
- Separate DUT configuration including adjustment of gain factor, zero-point shift, temperature compensation reference, signal resolution, sample rate, output options, measurement sequence, and thresholds, etc., depending on the DUT product
- Separate reading and programming of individual DUT's EEPROM and calibration microcontroller registers
- Display of the DUT's unconditioned and conditioned bridge sensor and temperature sensor signals
- Simultaneous calibration measurements, calibration coefficient calculation, and EEPROM programming

Modular Mass Calibration System (MCS)



System Description

The MCB supports sensor modules with the following IDT SSC IC products: ZSC31010, ZSC31014, ZSC31015, ZSC31050, ZSC31150, ZSSC313x, and ZSSC3154. Each system consists of a USB cable, four MCBs, 100 flat cable connectors for the DUT terminals, 30 meters of 10-wire flat cable, and four MCRs (for testing the communication between PC and DUT terminal and performing a basic calibration).

The Evaluation Kit Software for each system is downloaded from the SSC IC's product page on IDT's website at www.IDT.com.

Ordering Information

	Part Name	Description	Part Ordering Code
SSC Modular Mass Calibration Systems	MCS-1	ZSC31010 Mass Calibration System V1.1 (includes one MCS-A, four MCS-B, four MCS-1.1, and MCS-C)	ZSC31010 MCS V1.1
	MCS-2	ZSC31014 Mass Calibration System V1.1 (includes one MCS-A, four MCS-B, four MCS-2.1, and MCS-C)	ZSC31014 MCS V1.1
	MCS-3	ZSC31015 Mass Calibration System V1.1 (includes one MCS-A, four MCS-B, four MCS-3.1, and MCS-C)	ZSC31015 MCS V1.1
	MCS-4	ZSC31050 Mass Calibration System V1.1 (includes one MCS-A, four MCS-B, four MCS-4.1, and MCS-C)	ZSC31050 MCS V1.1
	MCS-5	ZSC31150 Mass Calibration System V1.1 (includes one MCS-A, four MCS-B, four MCS-5.1, and MCS-C)	ZSC31150 MCS V1.1
	MCS-6	ZSC31210 Mass Calibration System V1.1 (includes one MCS-A, four MCS-B, four MCS-6.1, and MCS-C)	ZSC31210 MCS V1.1
	MCS-7	ZSSC313x Mass Calibration System V1.1 (includes one MCS-A, four MCS-B, four MCS-7.1, and MCS-C)	ZSSC313x MCS V1.1
	MCS-8	ZSSC3154 Mass Calibration System V1.1 (includes one MCS-A, four MCS-B, four MCS-8.1, and MCS-C)	ZSSC3154 MCS V1.1
Extra parts for Modular Mass Calibration System*	MCS-A	SSC Communication Board V4.1 with cable	SSC Comm Board V4.1
	MCS-B	SSC Mass Calibration Board (MCB) Version 2.1	SSC MCB V2.1
	MCS-1.1	ZSC31010 Mass Calibration Reference Board V1.0	ZSC31010 MCR V1.0
	MCS-2.1	ZSC31014 Mass Calibration Reference Board V1.0	ZSC31014 MCR V1.0
	MCS-3.1	ZSC31015 Mass Calibration Reference Board V1.0	ZSC31015 MCR V1.0
	MCS-4.1	ZSC31050 Mass Calibration Reference Board V1.0	ZSC31050 MCR V1.0
	MCS-5.1	ZSC31150 Mass Calibration Reference Board V1.0	ZSC31150 MCR V1.0
	MCS-6.1	ZSC31210 Mass Calibration Reference Board V1.1	ZSC31210 MCR V1.1
	MCS-7.1	ZSSC313x Mass Calibration Reference Board V1.0	ZSSC313x MCR V1.0
	MCS-8.1	ZSSC3154 Mass Calibration Reference Board V1.0	ZSSC3154 MCR V1.0
	MCS-C	100 pieces flat cable connectors and 30m flat cable (10-wire cable)	SSC Flat Cable and Connectors V1.0
MCS-D	Power Switch Board V1.0 for ZSC31010 and ZSC31050 Mass Calibration Systems for DUT supply up to 40 VDC	IDT MCS Power Switch Board V1.0	
* Extra parts MCS-A, MCS-B, MCS-C, MCS-D, and MCS-x.1 can be ordered separately after ordering one of the MCS-1 through MCS-8 systems.			

Application Support

For MCS application support, please submit a technical support request at www.IDT.com/go/support.

Important Notice / Restrictions:

The SSC Mass Calibration System is designed only for development, evaluation, and laboratory setup of sensor modules with IDT Sensor Signal Conditioner ICs. The IDT Mass Calibration System hardware and software must not be used for module production and production test setups. IDT shall not be liable for any damages arising out of defects resulting from

- (i) delivered hardware or software
- (ii) non-observance of instructions contained in the Mass Calibration System Description documents
- (iii) misuse, abuse, use under abnormal conditions, or alteration by anyone other than IDT.

To the extent permitted by law, IDT hereby expressly disclaims and user expressly waives any and all warranties, whether express, implied, or statutory, including, without limitation, implied warranties of merchantability and of fitness for a particular purpose, statutory warranty of non-infringement, and any other warranty that may arise by reason of usage of trade, custom, or course of dealing.

Notice

1. Descriptions of circuits, software and other related information in this document are provided only to illustrate the operation of semiconductor products and application examples. You are fully responsible for the incorporation or any other use of the circuits, software, and information in the design of your product or system. Renesas Electronics disclaims any and all liability for any losses and damages incurred by you or third parties arising from the use of these circuits, software, or information.
2. Renesas Electronics hereby expressly disclaims any warranties against and liability for infringement or any other claims involving patents, copyrights, or other intellectual property rights of third parties, by or arising from the use of Renesas Electronics products or technical information described in this document, including but not limited to, the product data, drawings, charts, programs, algorithms, and application examples.
3. No license, express, implied or otherwise, is granted hereby under any patents, copyrights or other intellectual property rights of Renesas Electronics or others.
4. You shall not alter, modify, copy, or reverse engineer any Renesas Electronics product, whether in whole or in part. Renesas Electronics disclaims any and all liability for any losses or damages incurred by you or third parties arising from such alteration, modification, copying or reverse engineering.
5. Renesas Electronics products are classified according to the following two quality grades: "Standard" and "High Quality". The intended applications for each Renesas Electronics product depends on the product's quality grade, as indicated below.
 - "Standard": Computers; office equipment; communications equipment; test and measurement equipment; audio and visual equipment; home electronic appliances; machine tools; personal electronic equipment; industrial robots; etc.
 - "High Quality": Transportation equipment (automobiles, trains, ships, etc.); traffic control (traffic lights); large-scale communication equipment; key financial terminal systems; safety control equipment; etc.Unless expressly designated as a high reliability product or a product for harsh environments in a Renesas Electronics data sheet or other Renesas Electronics document, Renesas Electronics products are not intended or authorized for use in products or systems that may pose a direct threat to human life or bodily injury (artificial life support devices or systems; surgical implantations; etc.), or may cause serious property damage (space system; undersea repeaters; nuclear power control systems; aircraft control systems; key plant systems; military equipment; etc.). Renesas Electronics disclaims any and all liability for any damages or losses incurred by you or any third parties arising from the use of any Renesas Electronics product that is inconsistent with any Renesas Electronics data sheet, user's manual or other Renesas Electronics document.
6. When using Renesas Electronics products, refer to the latest product information (data sheets, user's manuals, application notes, "General Notes for Handling and Using Semiconductor Devices" in the reliability handbook, etc.), and ensure that usage conditions are within the ranges specified by Renesas Electronics with respect to maximum ratings, operating power supply voltage range, heat dissipation characteristics, installation, etc. Renesas Electronics disclaims any and all liability for any malfunctions, failure or accident arising out of the use of Renesas Electronics products outside of such specified ranges.
7. Although Renesas Electronics endeavors to improve the quality and reliability of Renesas Electronics products, semiconductor products have specific characteristics, such as the occurrence of failure at a certain rate and malfunctions under certain use conditions. Unless designated as a high reliability product or a product for harsh environments in a Renesas Electronics data sheet or other Renesas Electronics document, Renesas Electronics products are not subject to radiation resistance design. You are responsible for implementing safety measures to guard against the possibility of bodily injury, injury or damage caused by fire, and/or danger to the public in the event of a failure or malfunction of Renesas Electronics products, such as safety design for hardware and software, including but not limited to redundancy, fire control and malfunction prevention, appropriate treatment for aging degradation or any other appropriate measures. Because the evaluation of microcomputer software alone is very difficult and impractical, you are responsible for evaluating the safety of the final products or systems manufactured by you.
8. Please contact a Renesas Electronics sales office for details as to environmental matters such as the environmental compatibility of each Renesas Electronics product. You are responsible for carefully and sufficiently investigating applicable laws and regulations that regulate the inclusion or use of controlled substances, including without limitation, the EU RoHS Directive, and using Renesas Electronics products in compliance with all these applicable laws and regulations. Renesas Electronics disclaims any and all liability for damages or losses occurring as a result of your noncompliance with applicable laws and regulations.
9. Renesas Electronics products and technologies shall not be used for or incorporated into any products or systems whose manufacture, use, or sale is prohibited under any applicable domestic or foreign laws or regulations. You shall comply with any applicable export control laws and regulations promulgated and administered by the governments of any countries asserting jurisdiction over the parties or transactions.
10. It is the responsibility of the buyer or distributor of Renesas Electronics products, or any other party who distributes, disposes of, or otherwise sells or transfers the product to a third party, to notify such third party in advance of the contents and conditions set forth in this document.
11. This document shall not be reprinted, reproduced or duplicated in any form, in whole or in part, without prior written consent of Renesas Electronics.
12. Please contact a Renesas Electronics sales office if you have any questions regarding the information contained in this document or Renesas Electronics products.

(Note1) "Renesas Electronics" as used in this document means Renesas Electronics Corporation and also includes its directly or indirectly controlled subsidiaries.

(Note2) "Renesas Electronics product(s)" means any product developed or manufactured by or for Renesas Electronics.

(Rev.4.0-1 November 2017)

Corporate Headquarters

TOYOSU FORESIA, 3-2-24 Toyosu,
Koto-ku, Tokyo 135-0061, Japan
www.renesas.com

Contact Information

For further information on a product, technology, the most up-to-date version of a document, or your nearest sales office, please visit:
www.renesas.com/contact/

Trademarks

Renesas and the Renesas logo are trademarks of Renesas Electronics Corporation. All trademarks and registered trademarks are the property of their respective owners.