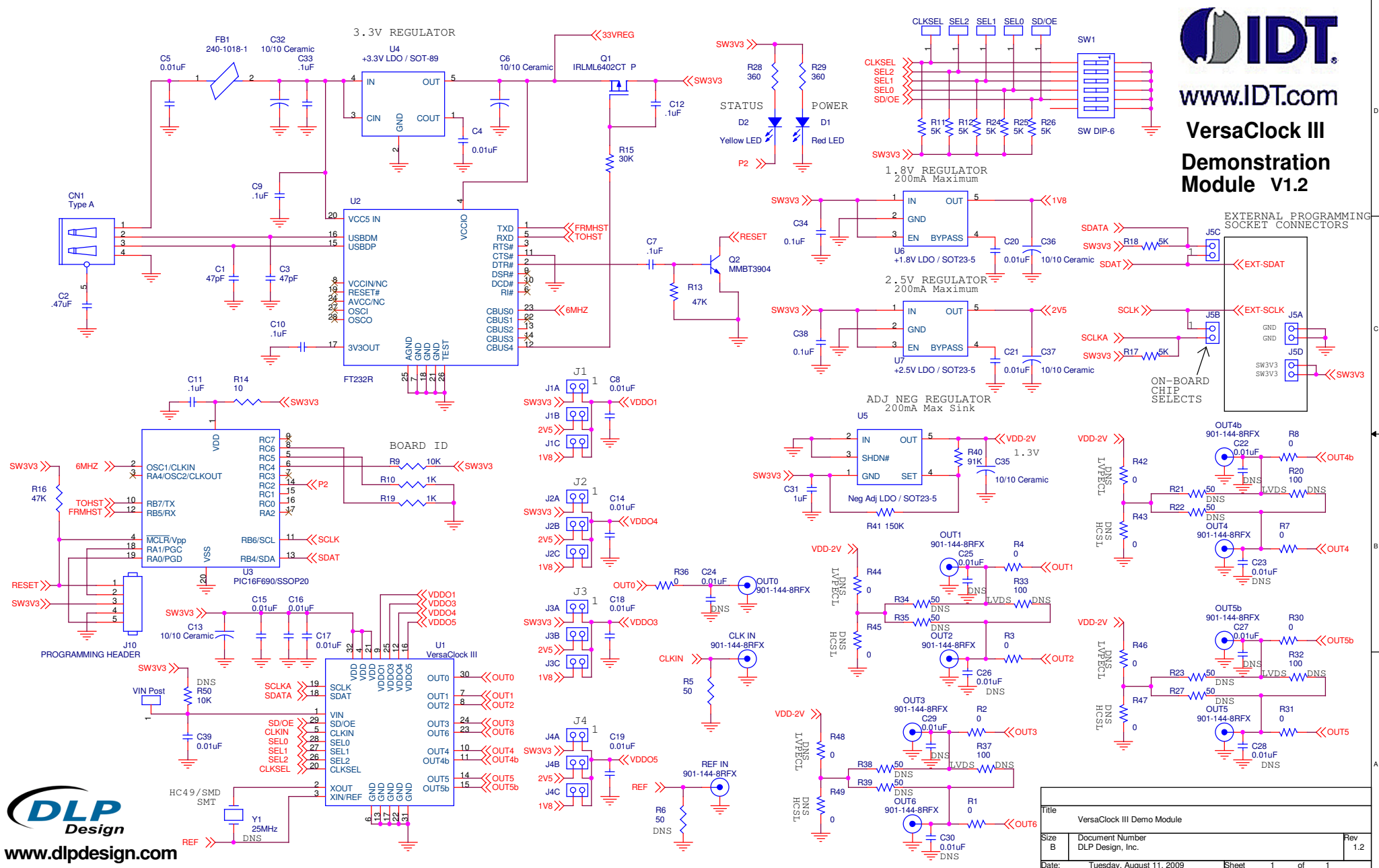




www.IDT.com

VersaClock III Demonstration Module V1.2



Title		
VersaClock III Demo Module		
Size	Document Number	Rev
B	DLP Design, Inc.	1.2
Date:	Tuesday, August 11, 2009	Sheet 1 of 1