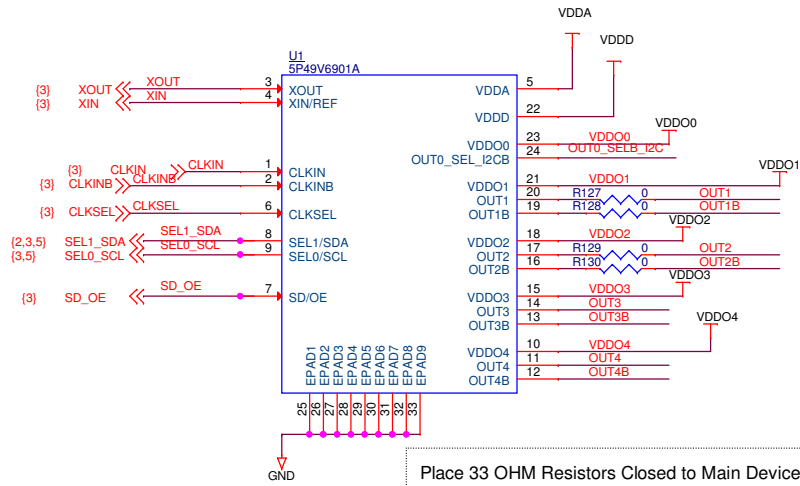
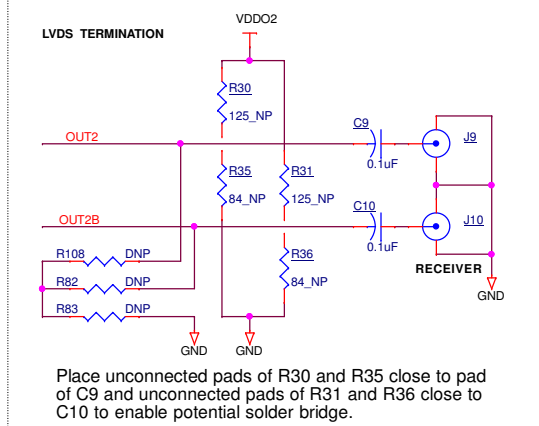
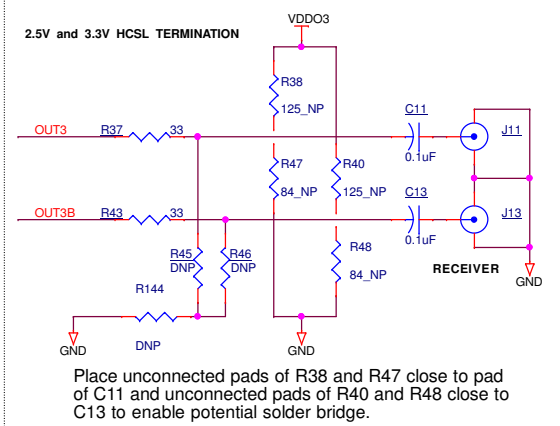
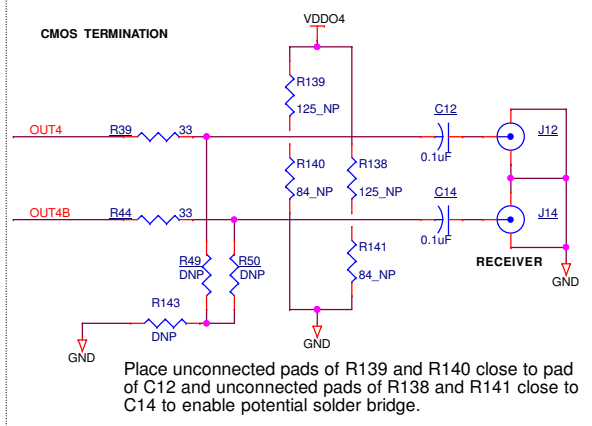
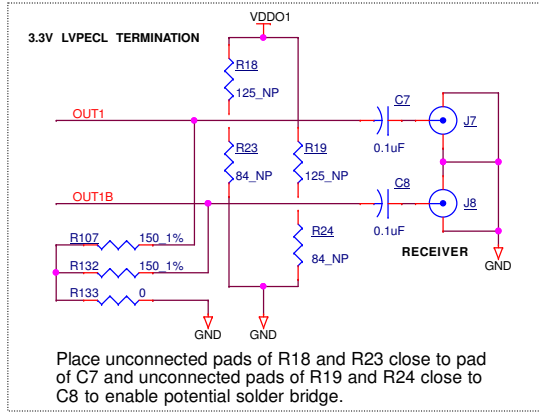
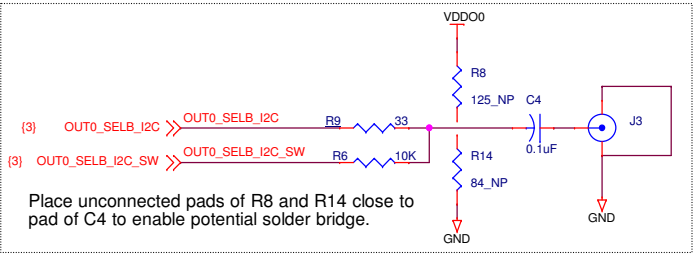


5P49V6901 CONNECTIONS

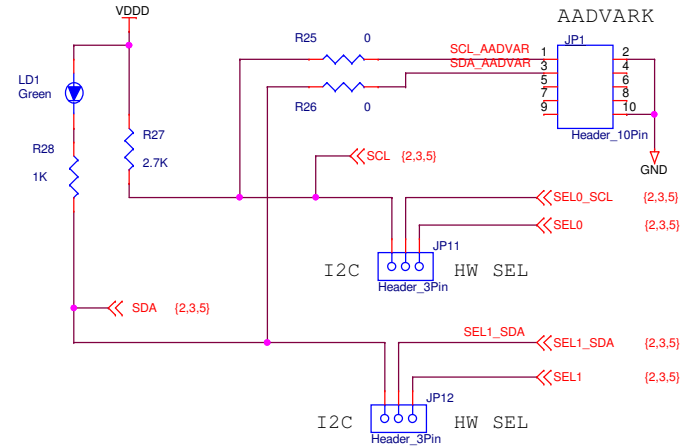
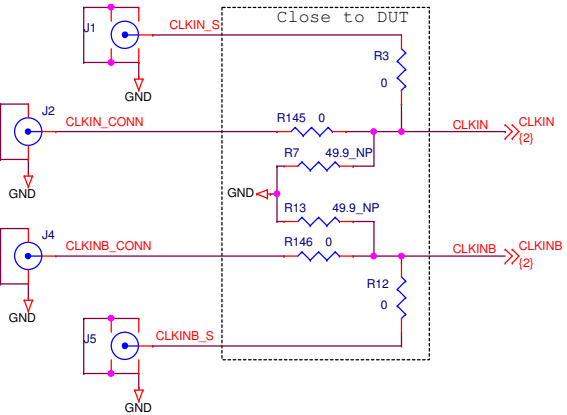
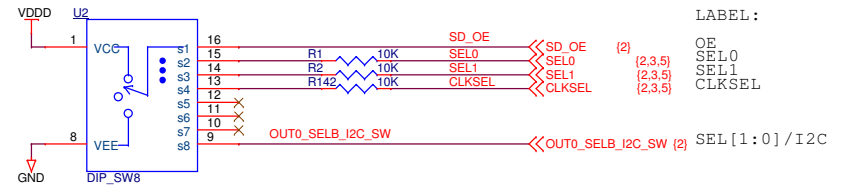
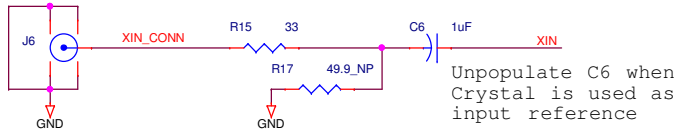
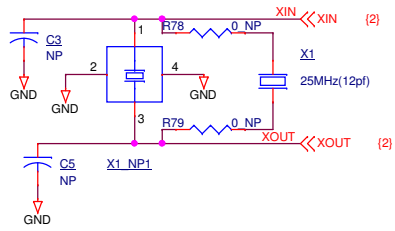


Place 33 OHM Resistors Closed to Main Device For CMOS and HCSSL TERMINATION
 Place R6=10K close to matched trace from R9 to C4
 Place AC Coupling Capacitors Close to SMA

Place R37 & R43 33 OHM Resistors Closed to Main Device For HCSSL TERMINATION
 R45 & R46 Should Closer to the SMA

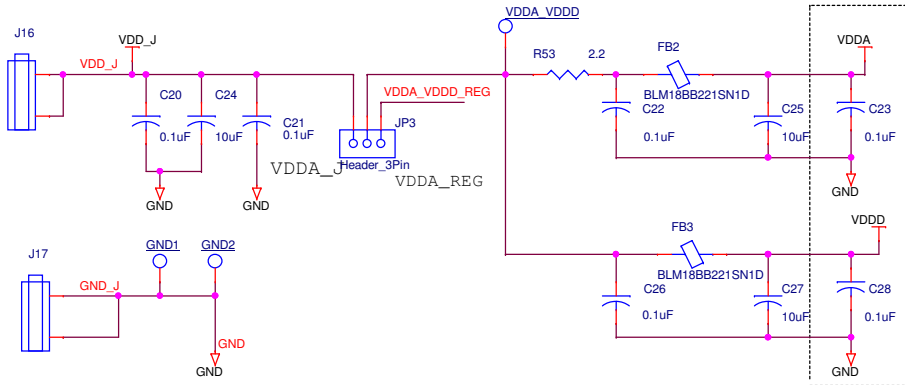


Title		5P49V6901 EVB revA		
Size B	Document Number			Rev 1
Date:	Tuesday, August 18, 2015	Sheet	2	of 5



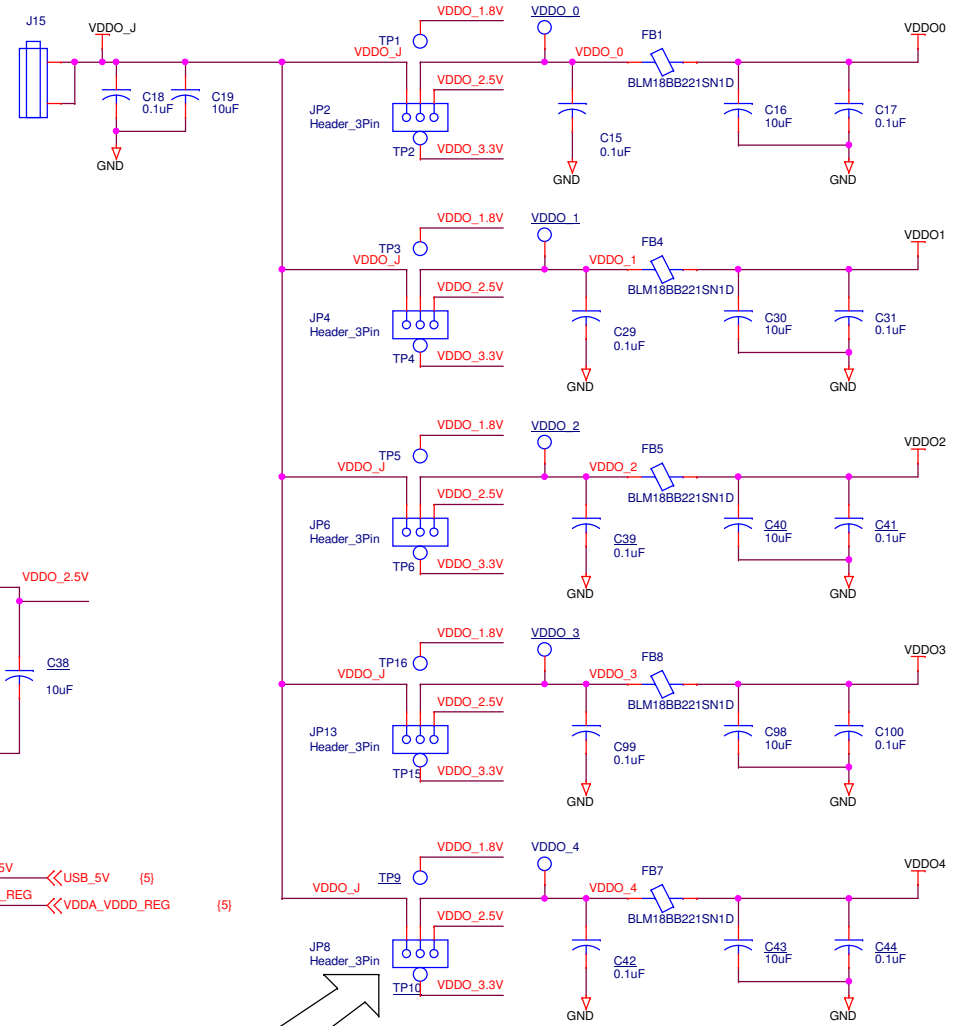
Title	
SP49V6901 EVB revA	
Size B	Document Number
	Rev 1
Date:	Monday, August 17, 2015
Sheet	3 of 5

LABEL AS INDICATED FOR 3-PIN HEADERS

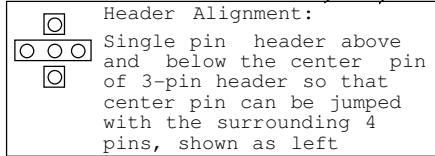
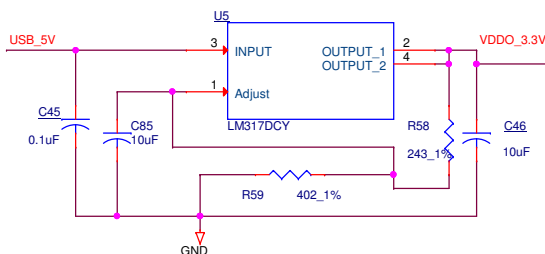
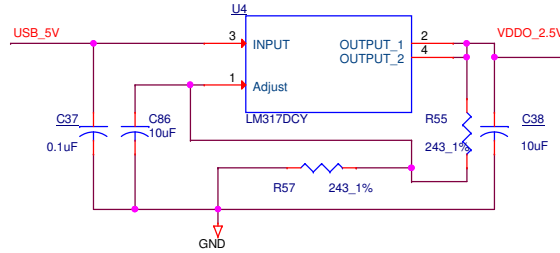
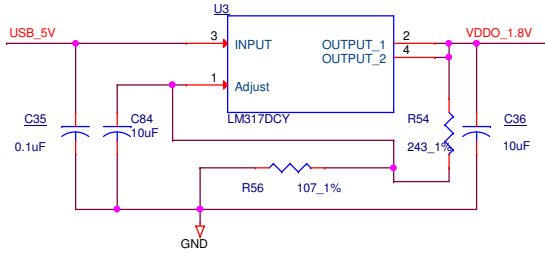


Locate near
DUT power pin

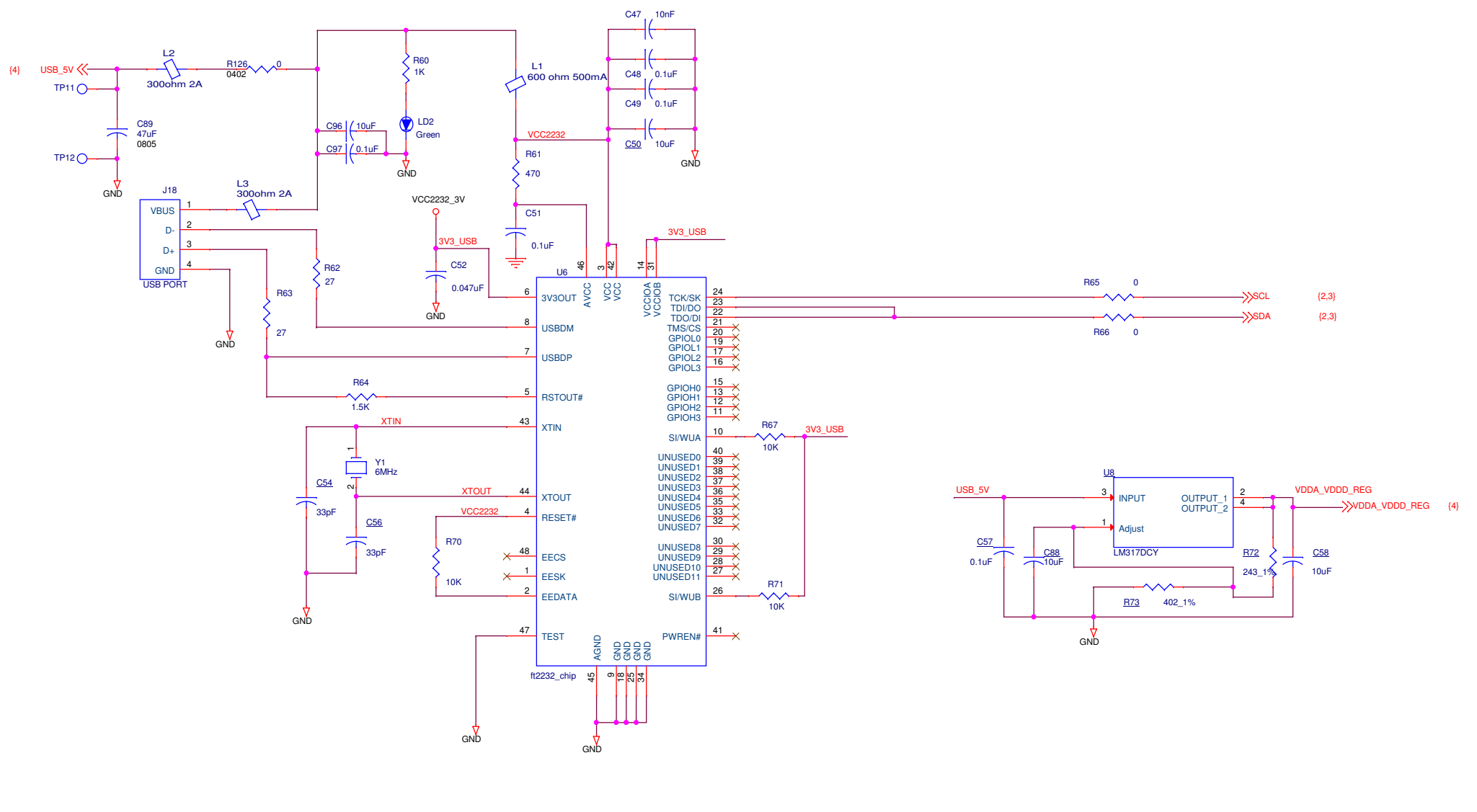
LABEL ON EACH RESPECTIVE PIN OF
HEADERS: 1.8V, 2.5V, 3.3V



USB_VV << USB_VV (5)
VDDA_VDDD_REG << VDDA_VDDD_REG (5)



Title		SP49V6901 EVB REVA	
Size B	Document Number	Rev 1	
Date:	Wednesday, August 12, 2015	Sheet	4 of 5



Title		IDT_5P49V5908 EVM_BOARD_REV1	
Size	B	Document Number	305-PD-15-0209
Date:	Wednesday, August 12, 2015	Sheet	5 of 5
			Rev 1