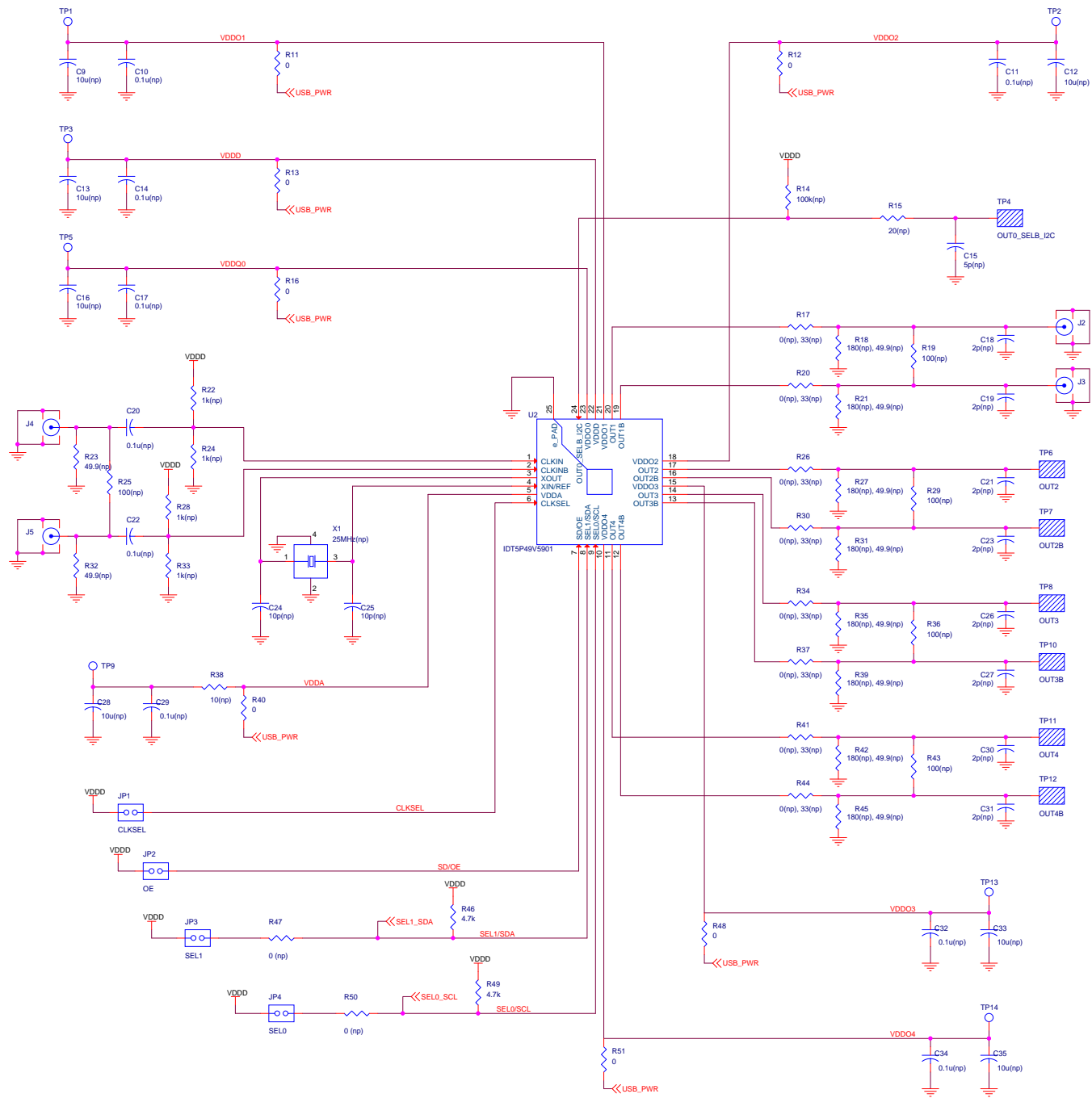


Title	<Title>
Size	B
Document Number	<Doc>
Date:	Monday, January 27, 2014
Sheet	1 of 2
Rev	<RevCode>



Title		<Title>
Size	Document Number	Rev
C	<Doc>	<Rev>
Date:	Friday, January 24, 2014	Sheet 2 of 2