

Figure-2 VersaClock 5 Evaluation Board Schematics – Page 2

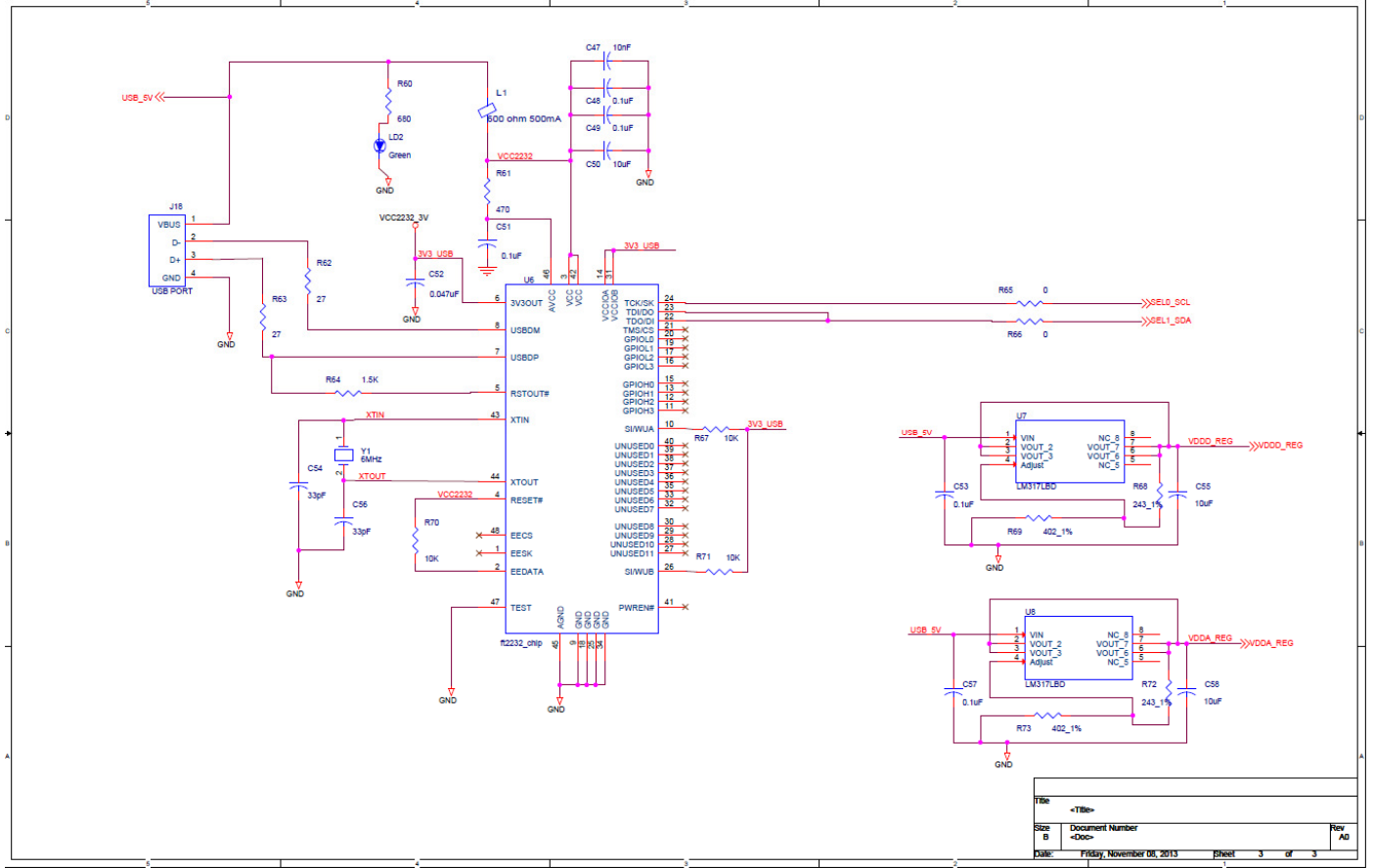


Figure-3 Evaluation Board Schematics – Page 3