

1

2

3

4

5

6

7

# IDT Tsi340 Evaluation Board

SLOT1

SLOT2

SLOT3

SLOT4

J4

J3

J2

J1

PCI 32bit Universal  
Finger Connector Page 3

TSI340  
Page 2

PCI Connector Page 4

PCI Connector Page 5

PCI Connector Page 6

Right Angle PCI Connector Page 7I

TITLE :  
**TSI340 EVALUATION BOARD**

SIZE <b>C</b>	DRAWING NUMBER : 60E3000_SC001	Version: Rev 0	DESIGNER :
------------------	-----------------------------------	-------------------	------------

LAST MODIFIED DATE : 3-20-2007 12:09	SHEET 1	OF 7
---	------------	---------

1

2

3

4

5

6

7

F

F

E

E

D

D

C

C

B

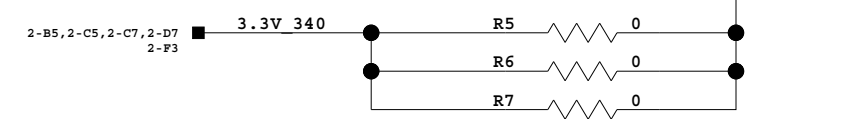
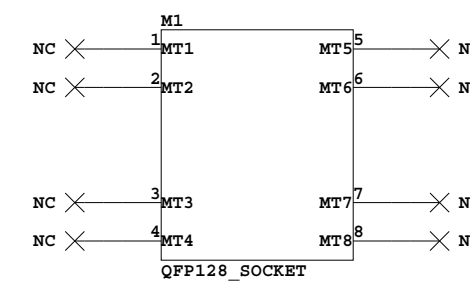
B

A

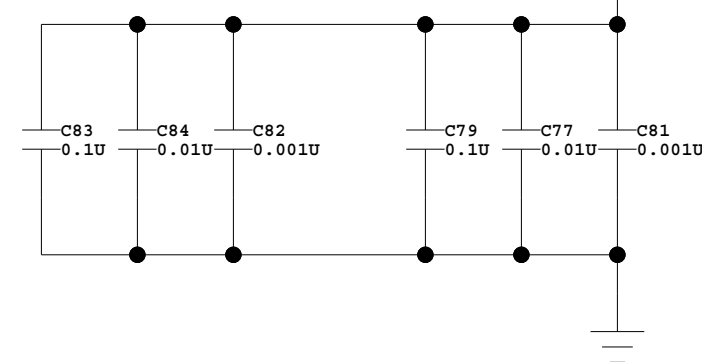
A

TSI340 PCI-to-PCI BRIDGE

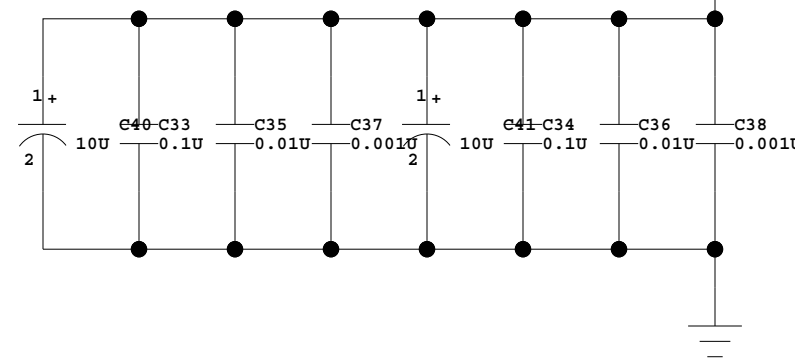
USE SOCKET FOOTPRINT FOR TSI340



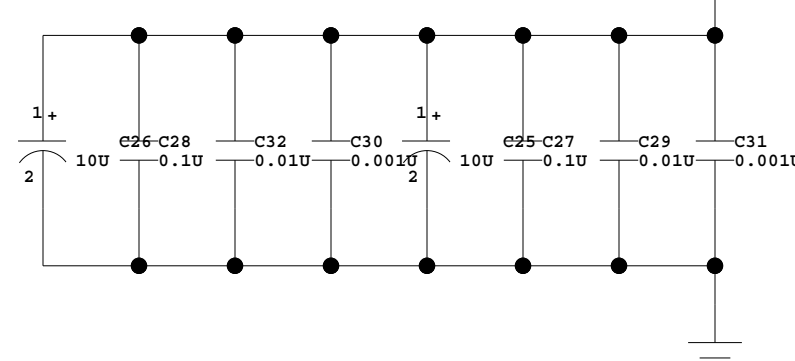
Note: Separate 3.3V from Tsi340 for the current measurement



Place these 4 sets of caps on bottom layer around Tsi340 corners



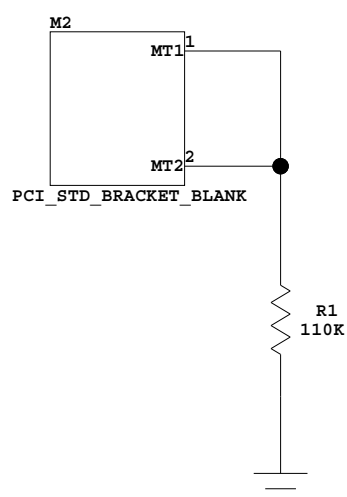
Place these 4 sets of caps on top layer around Tsi340 corners



S1 Switch Setting				
BIT	Signal	ON	OFF	Default
1	P_CLKRUN#:	Pulled-Down	Test	ON
2	LOO:	Test	Pulled-Up	OFF
3	P_RST#:	Reset	Normal	OFF
4	PCI_M66EN:	33MHz	66MHz	OFF
5	S_CLKRUN#:	Pulled-Down	Test	ON

TITLE : TSI340			
SIZE	DRAWING NUMBER :	Version:	DESIGNER :
C	60E3000_SC001		
LAST MODIFIED DATE :		SHEET 2 OF 7	
4-27-2007_12:41			

**PCI 32bit Universal Finger Edge Connector  
To Tsi340's primary interface**



Connect this ground directly on finger conn GND pin

P\_AD[0:31]

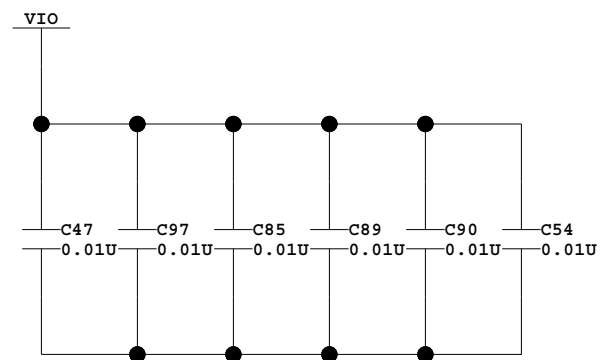
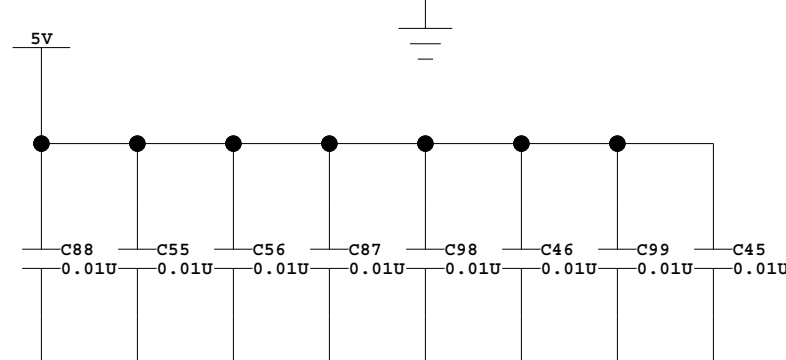
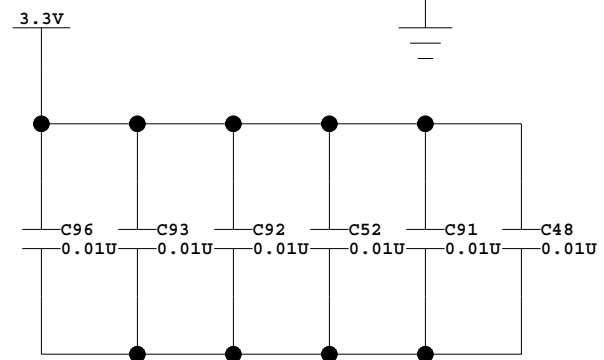
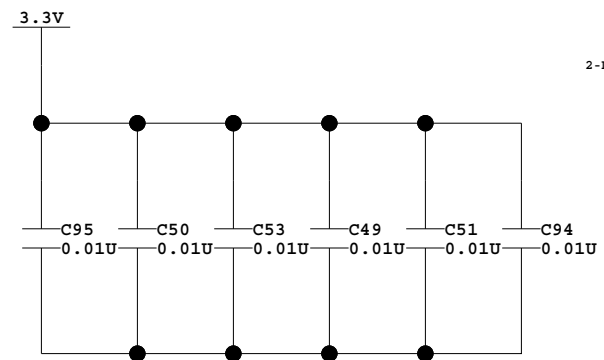
Note: Primary side VIO is not connected on this board

P\_CBE#[0:3]

PCI INTB#  
PCI INTD#

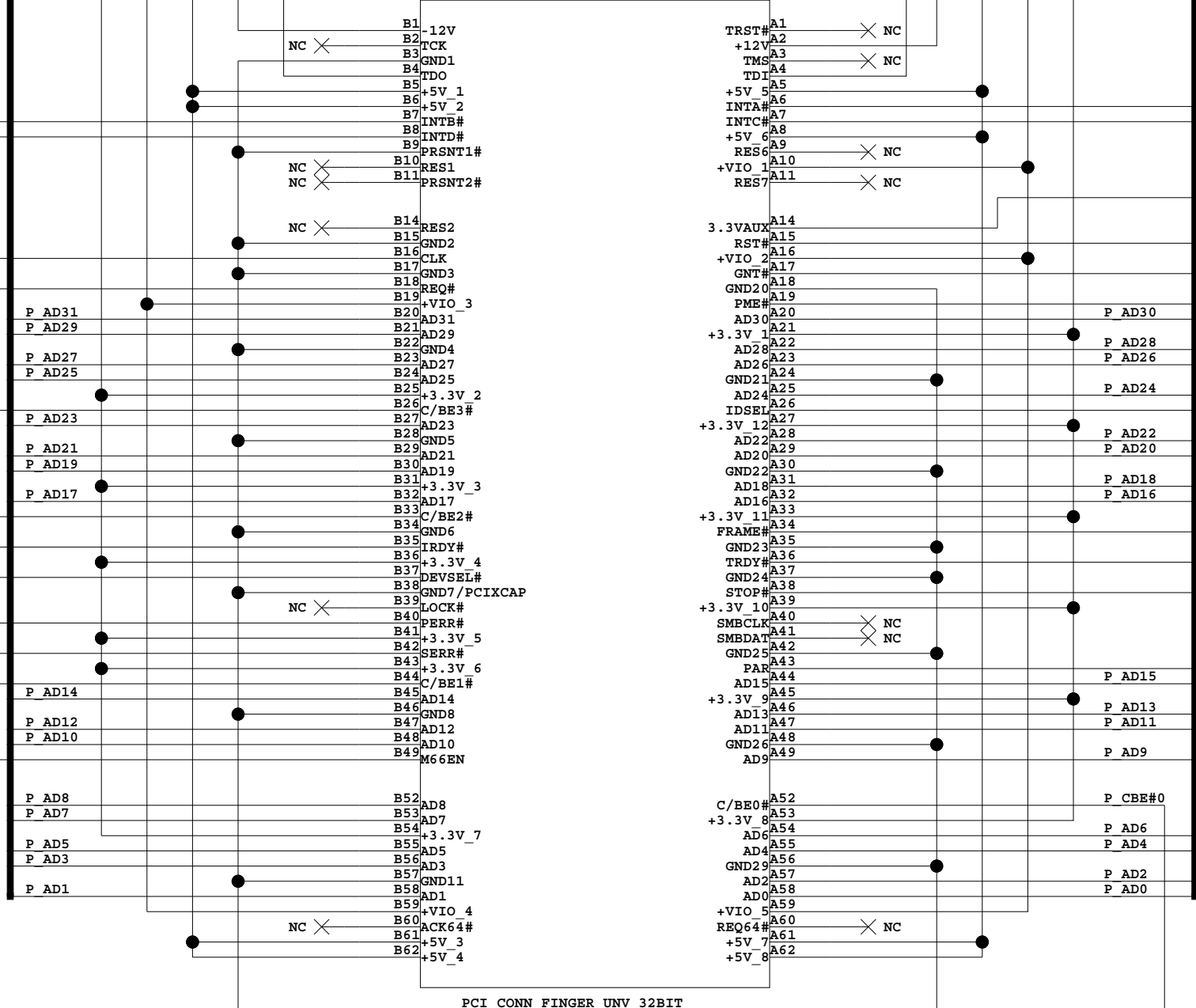
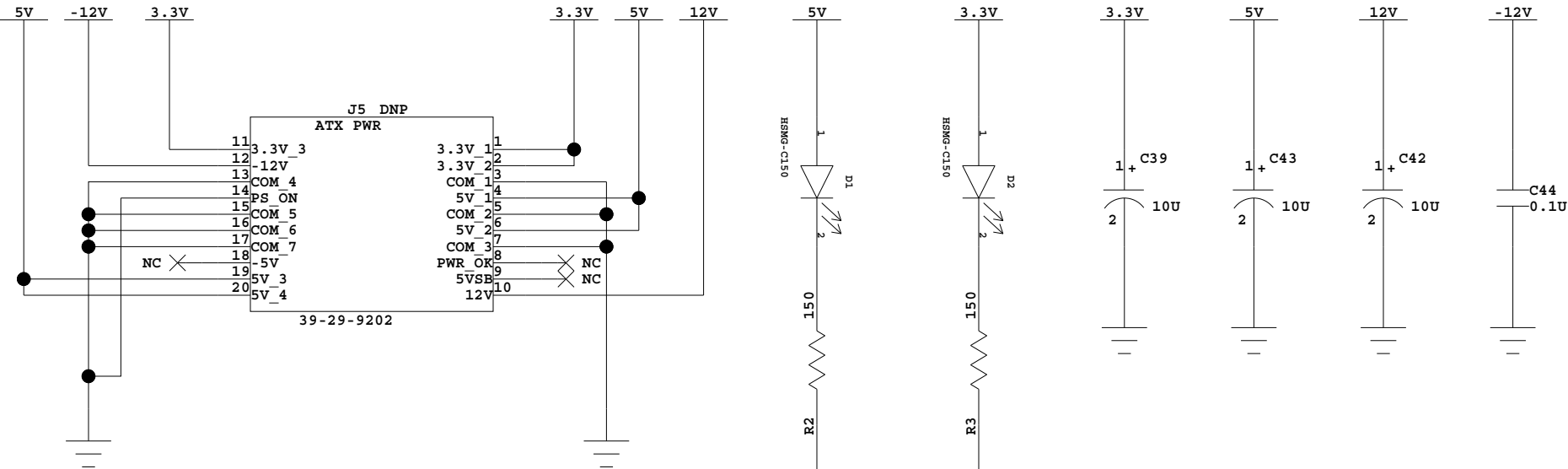
Note: PRSNT#[1:2]=01 indicates 25W

P\_CLK  
P\_REQ#

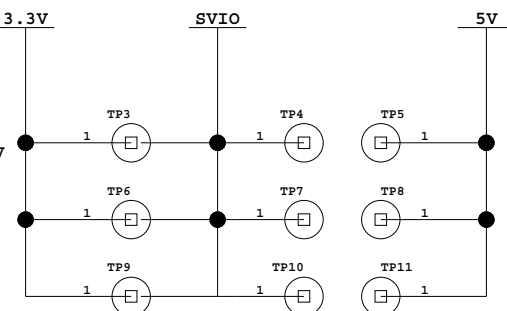


PCI M66EN

C86  
0.01U

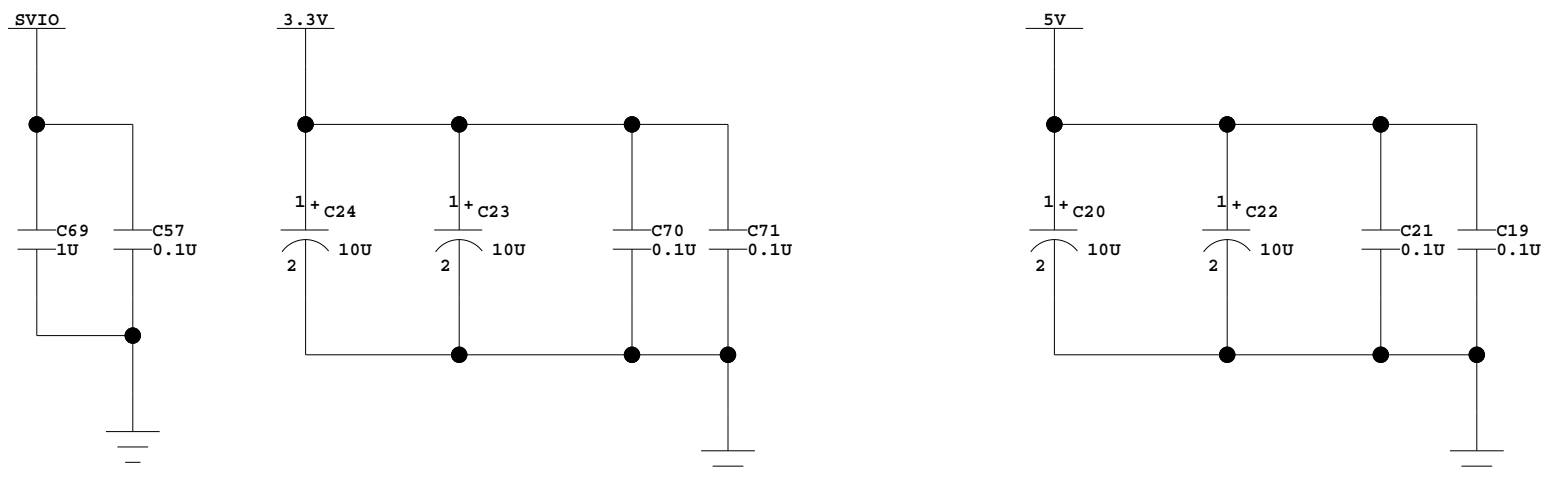
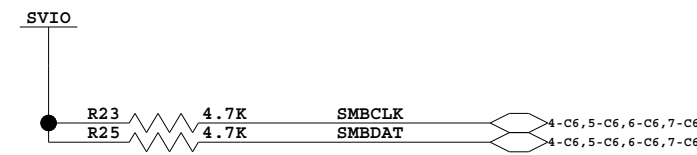
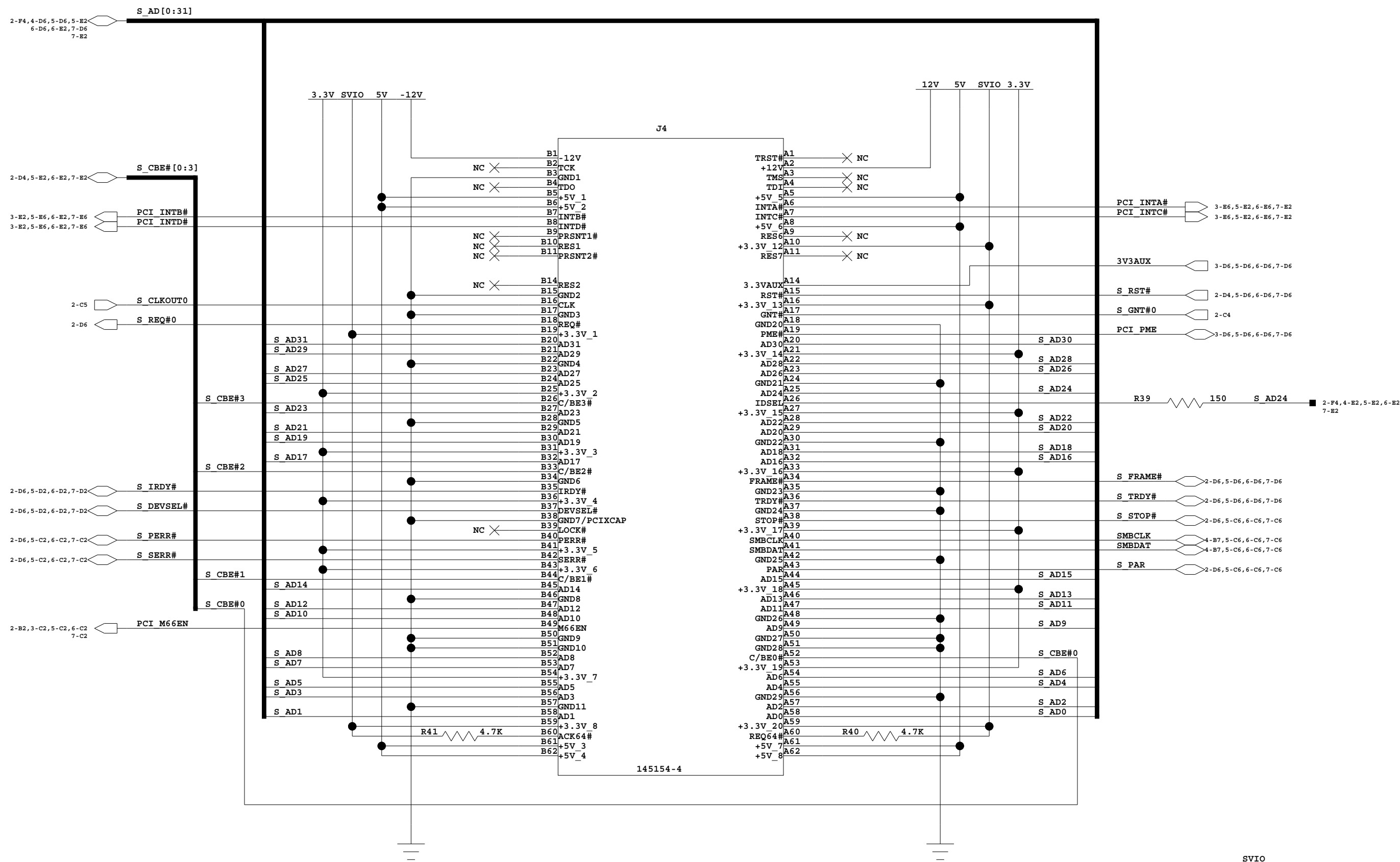


On the PCB, 3.3V and SVIO tracks must be cut and the 5V test point are wired to the SVIO test points.



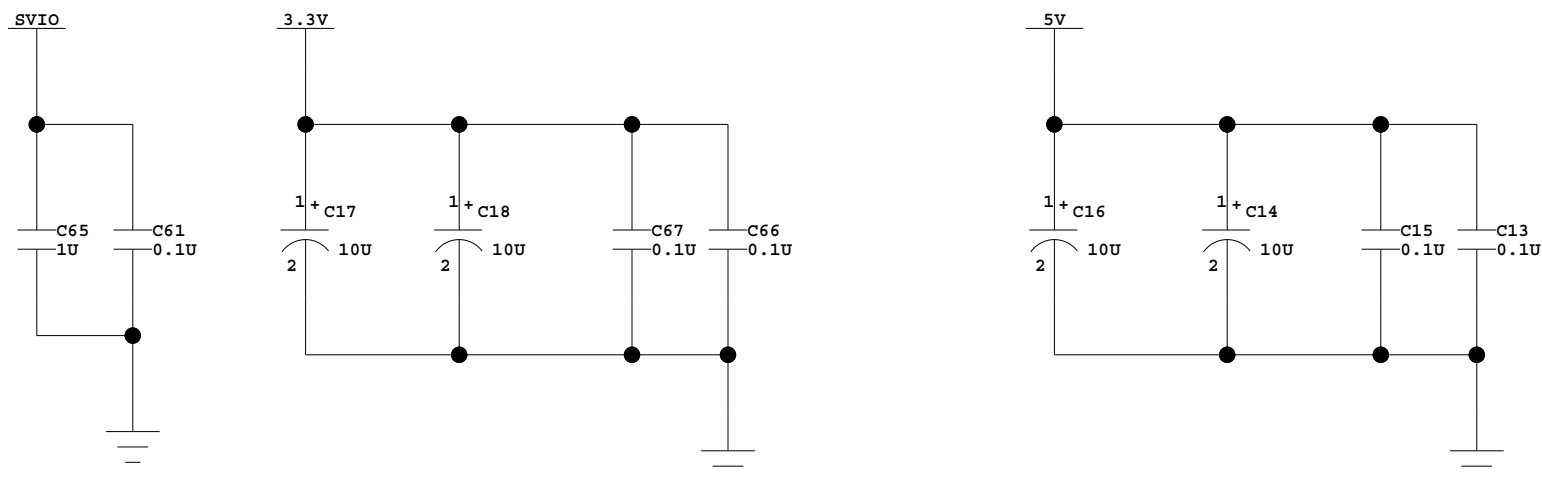
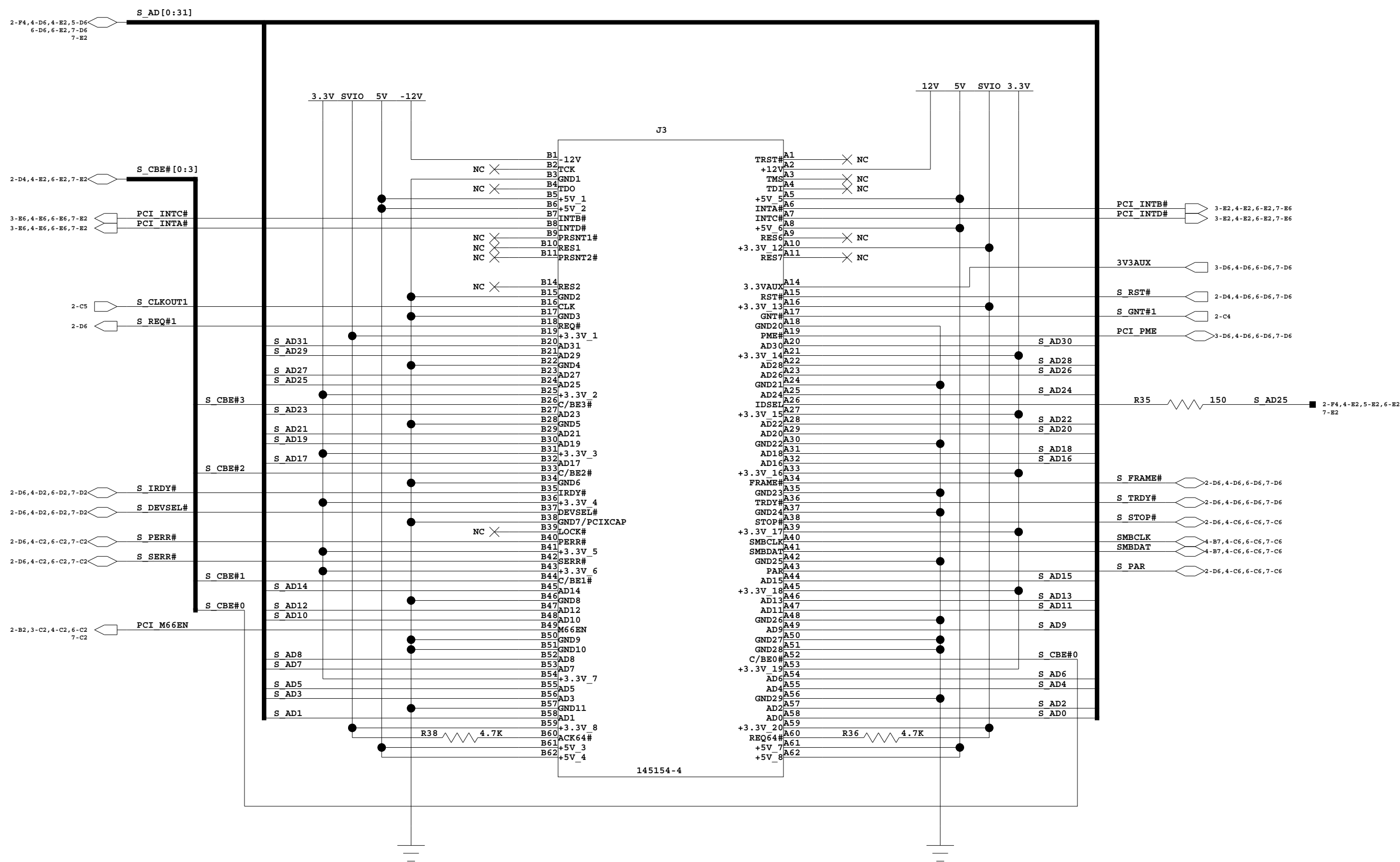
TITLE : <b>PCI 32BIT UNIVERSAL FINGER EDGE CONNECTOR</b>			
SIZE <b>C</b>	DRAWING NUMBER : 60E3000_SC001	Version:	DESIGNER :
LAST MODIFIED DATE : 4-27-2007_12:41		SHEET 3 OF 7	

PCI 3.3V 32Bits Slot 1 Thru-hole Connector



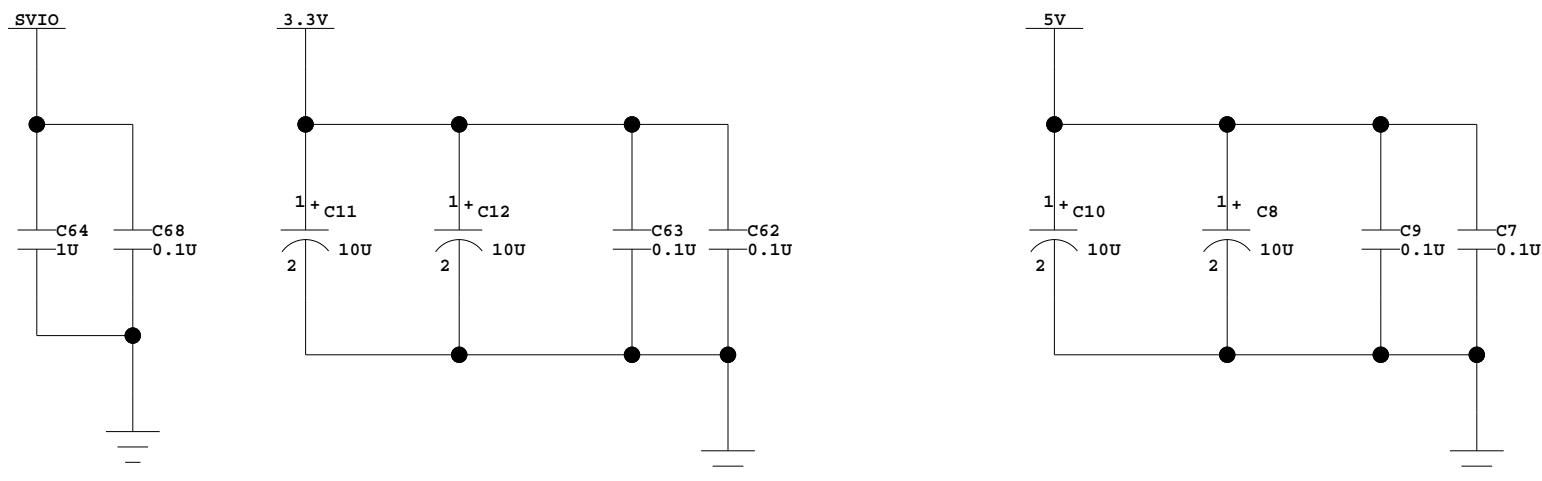
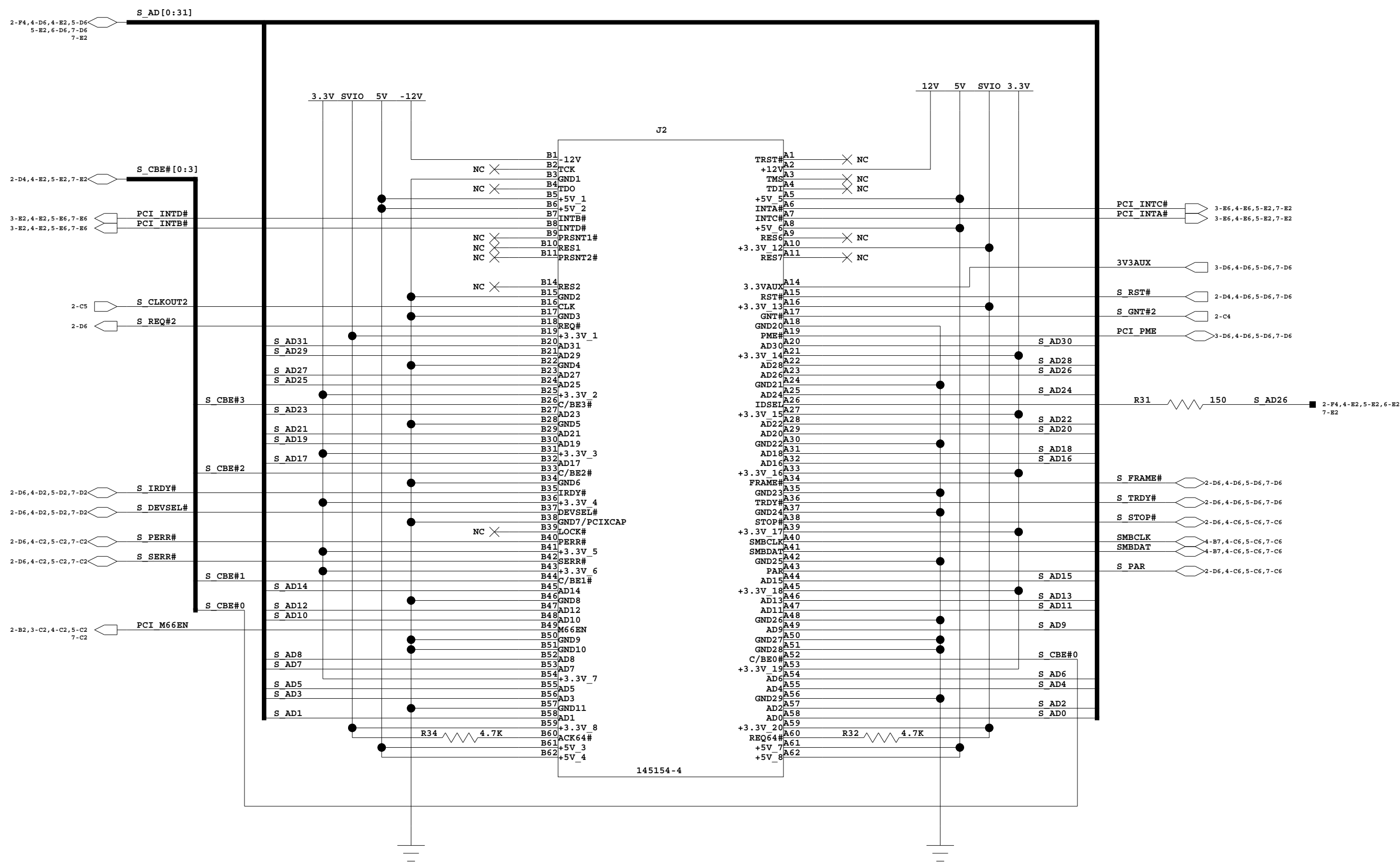
TITLE : <b>PCI 3.3V 32BITS SLOT 1 THRU-HOLE CONNECTOR</b>			
SIZE <b>C</b>	DRAWING NUMBER : 60E3000_SC001	Version:	DESIGNER :
LAST MODIFIED DATE : 4-27-2007_12:41		SHEET 4 OF 7	

PCI 3.3V 32Bits slot 2 Thru-hole connector



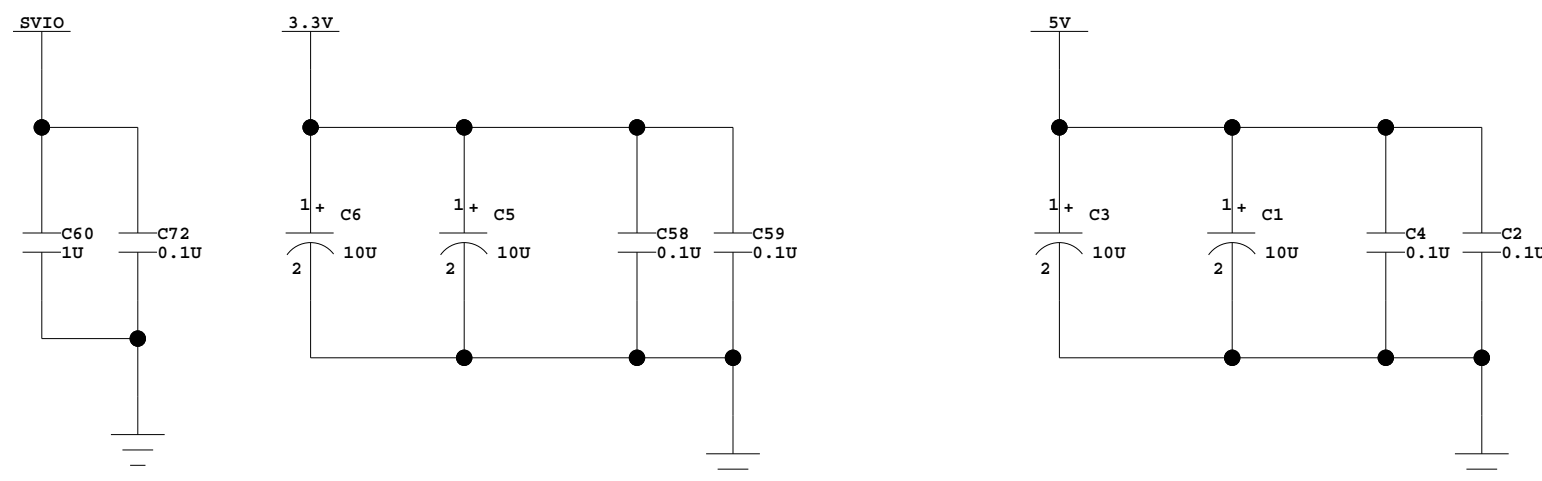
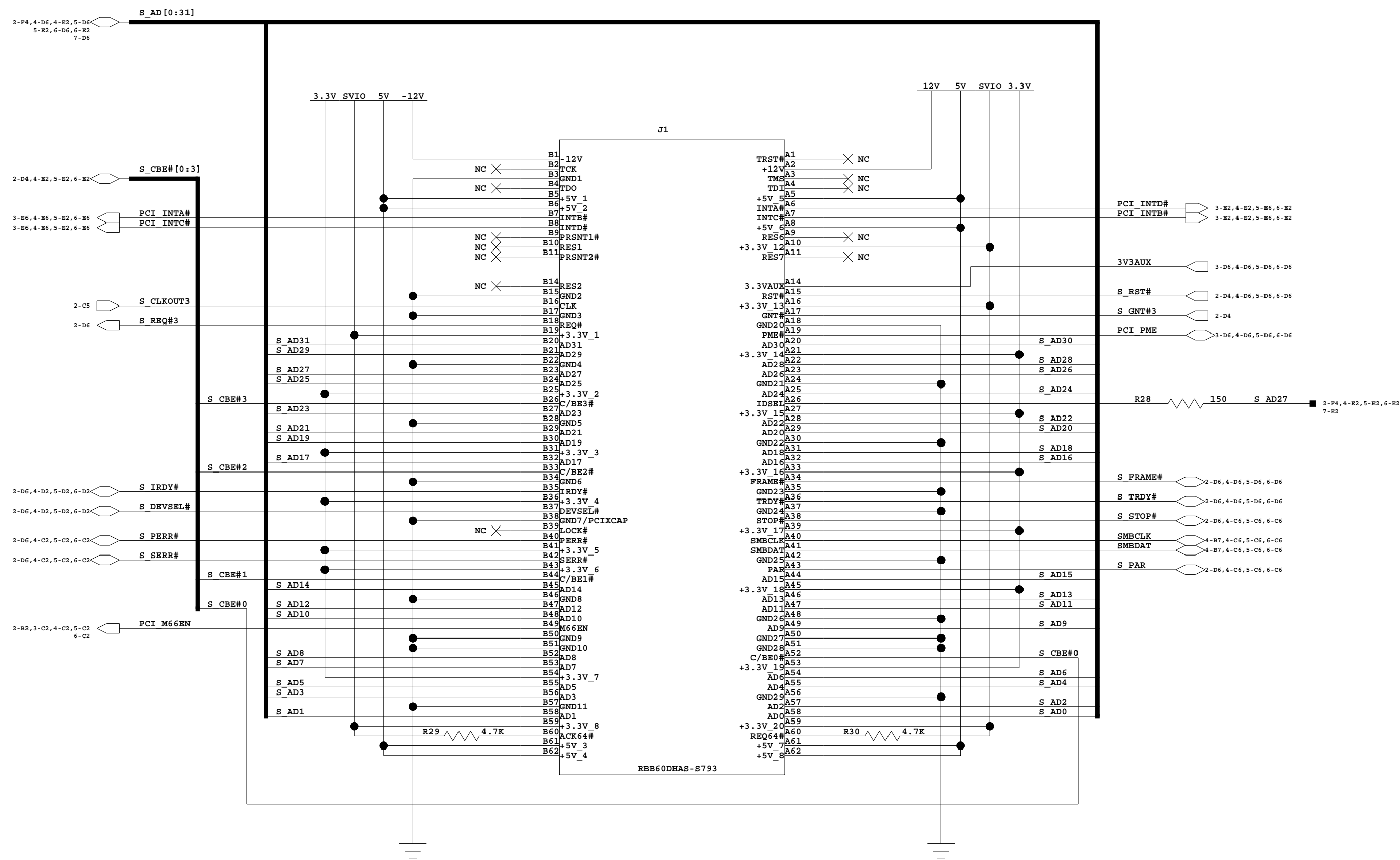
TITLE :			
PCI 3.3V 32BITS SLOT 2 THRU-HOLE CONNECTOR			
SIZE	DRAWING NUMBER :	Version:	DESIGNER :
C	60E3000_SC001		
LAST MODIFIED DATE :		SHEET 5 OF 7	
4-27-2007_12:41			

PCI 3.3V 32Bits slot 3 Thru-hole connector



TITLE :			
PCI 3.3V 32BITS SLOT 3 THRU-HOLE CONNECTOR			
SIZE	DRAWING NUMBER :	Version:	DESIGNER :
C	60E3000_SC001		
LAST MODIFIED DATE :		SHEET	
4-27-2007_12:41		6 OF 7	

PCI 3.3V 32Bit slot 4 right angle edge connector



TITLE :			
PCI 3.3V 32BITS SLOT 4 RIGHT ANGLE CONNECTOR			
SIZE	DRAWING NUMBER :	Version:	DESIGNER :
C	60E3000_SC001		
LAST MODIFIED DATE :		SHEET	
4-27-2007_12:41		7 OF 7	