

RL78/G24 Fast Prototyping Board Schematic

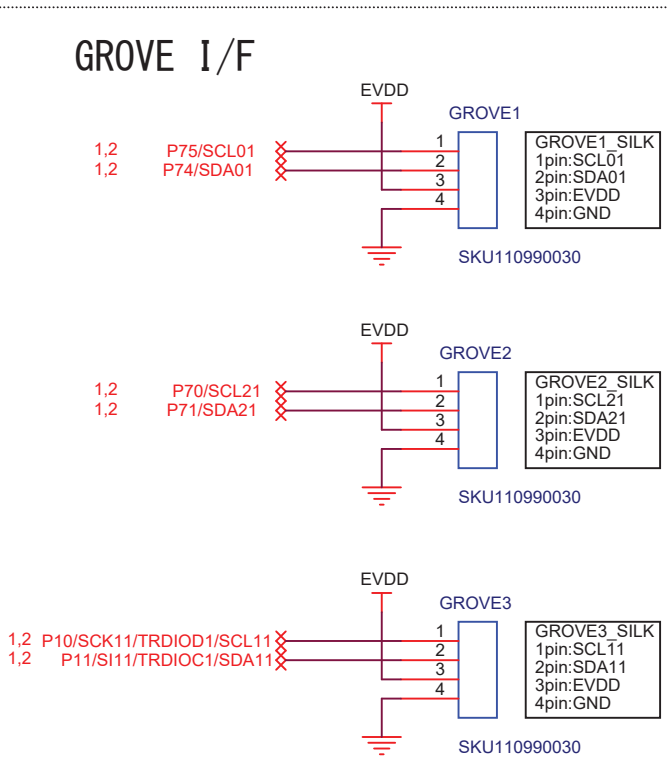
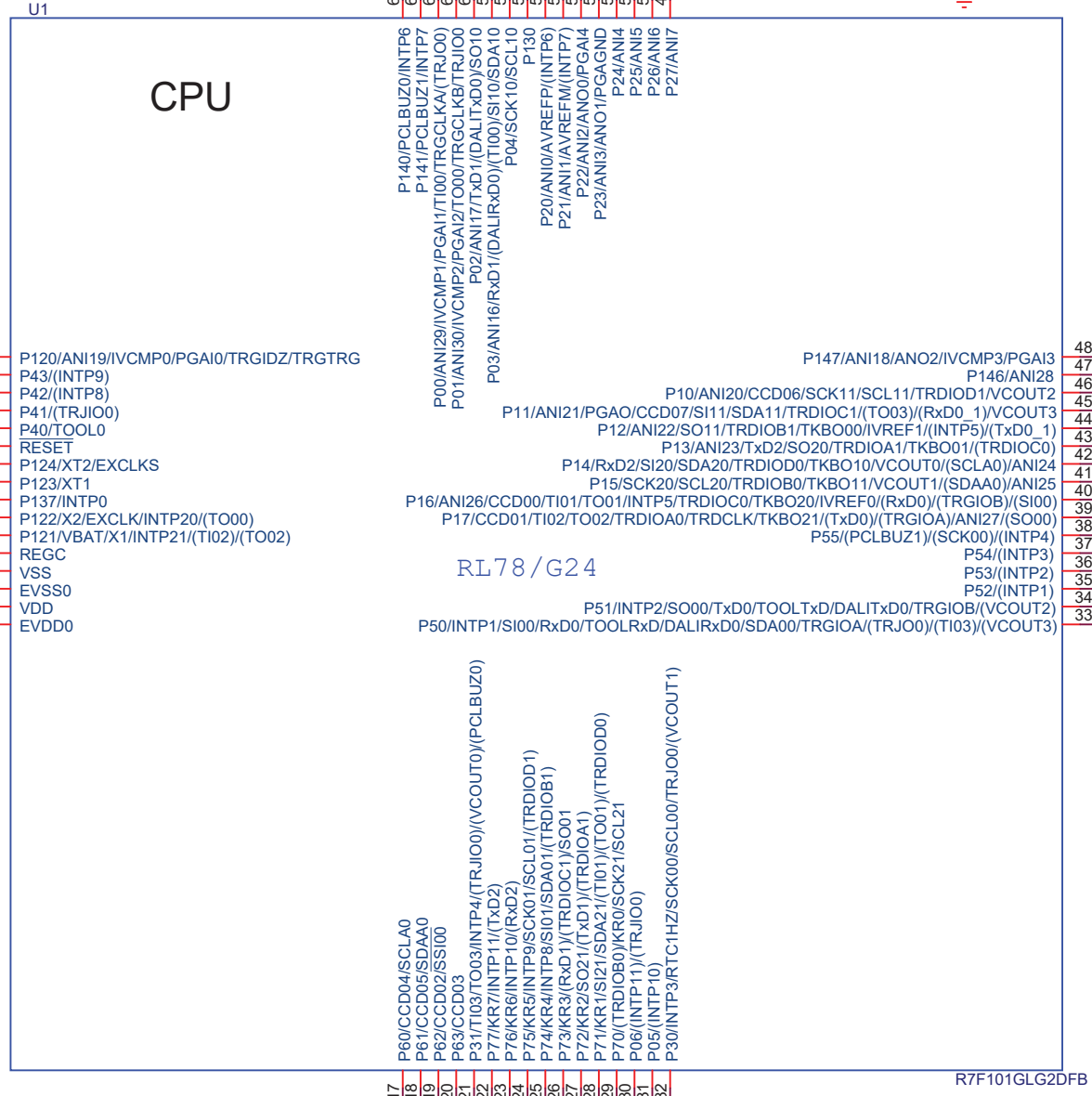
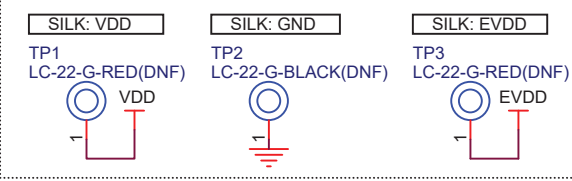
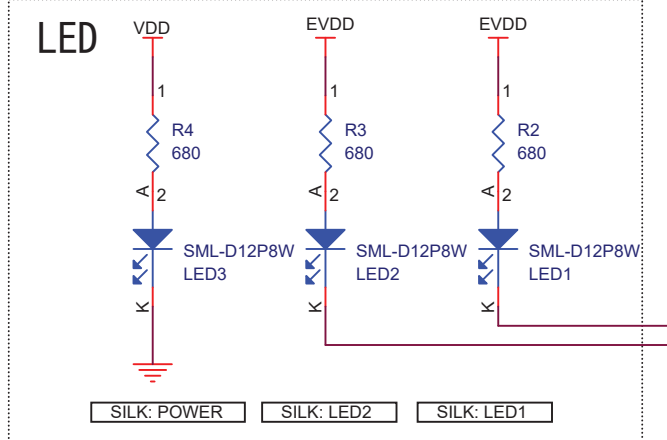
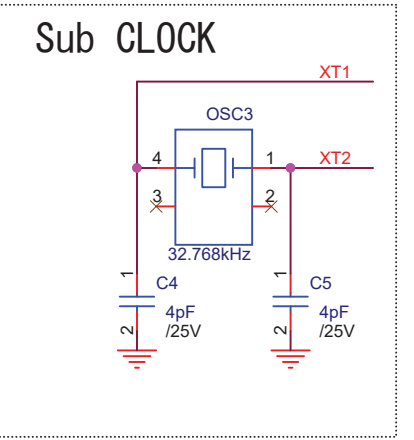
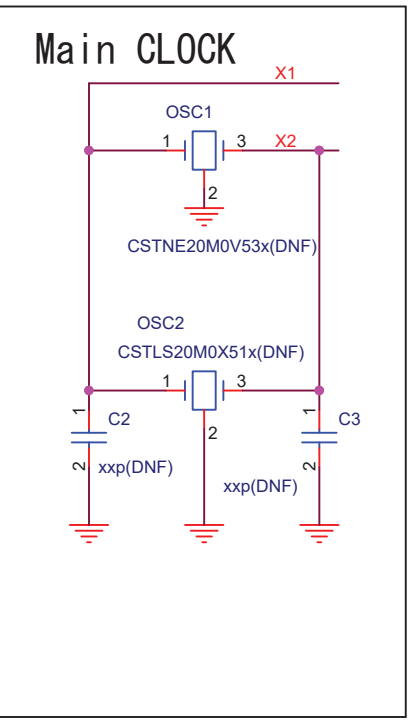
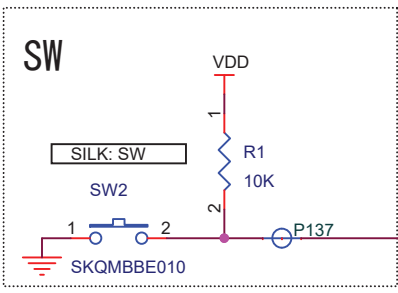
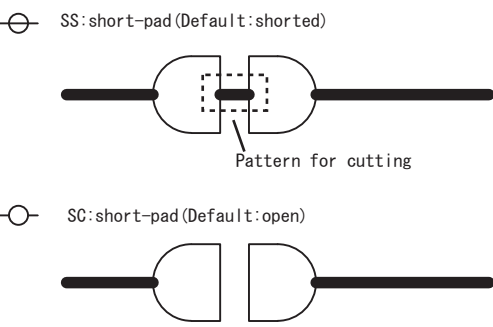
Product No: RTK7RLG240C00000BJ

Document No:R20UT5092EJ Rev.1.00

Page1 : CPU, GROVE I/F, LED, SW, CLOCK

Page2 : POWER, Micro USB I/F, E2 Emulator I/F, Reset, MCU Header, Pmod I/F, Arduino UNO R3 I/F

*(DNF) : Do not fit(Unmount)



Shielded the line with GND

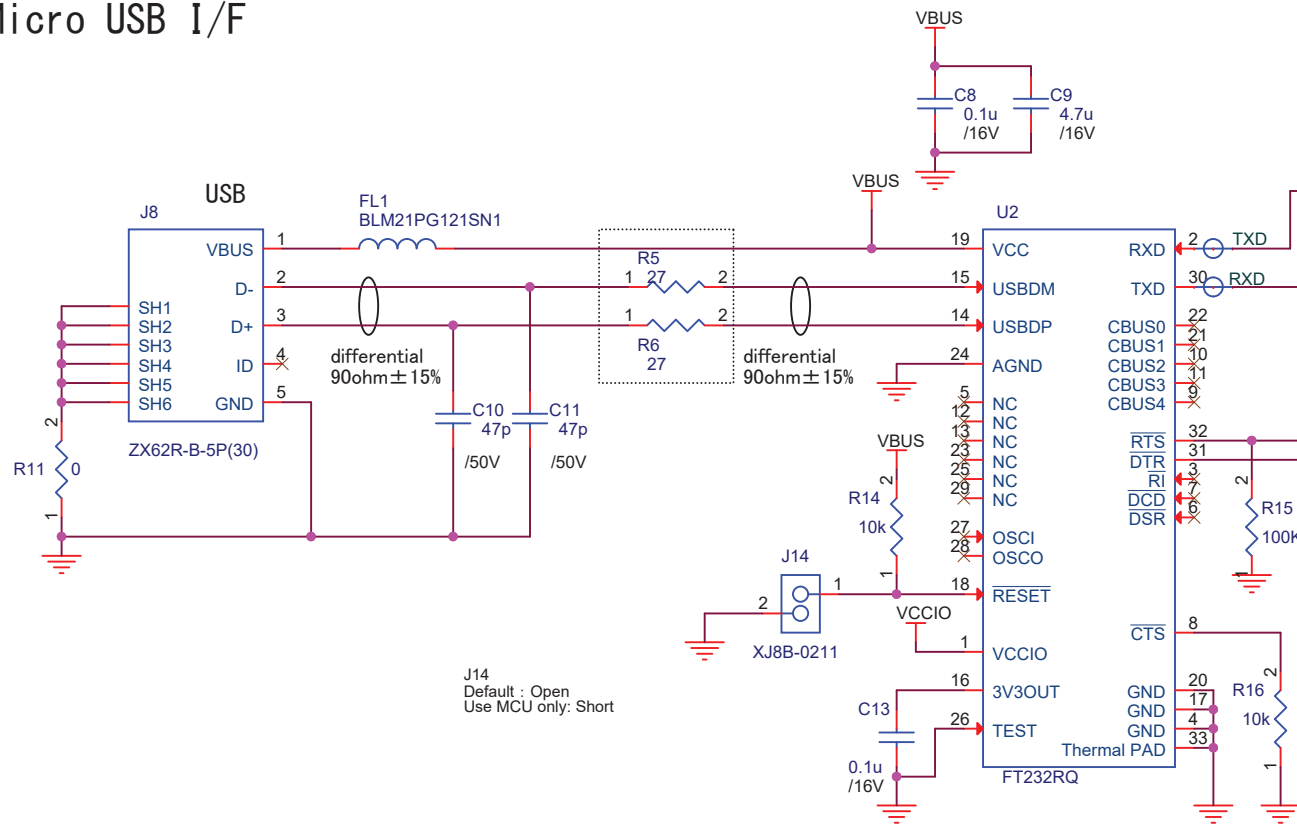
OSC1, OSC2, X1, X2, XT1, XT2, RESET, T_RESET

The power line thickened

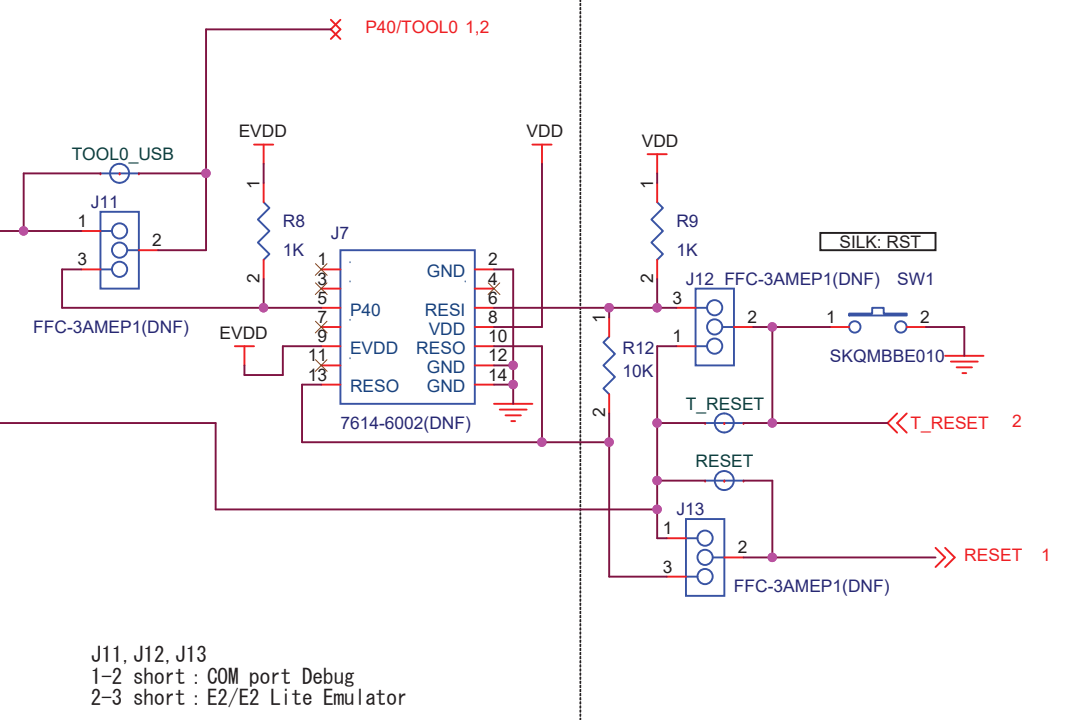
VDD, EVDD, REGC, 5V, VBUS, 3V3, Pmod1_VCC, Pmod2_VCC

RENASAS		Renesas Electronics Corporation	
Title			
RTK7RLG240C00000BJ			
Size	Document Number	Rev	
A3	R20UT5092EJ	1.0	
Date:	Apr 16, 2023	Sheet	1 of 2

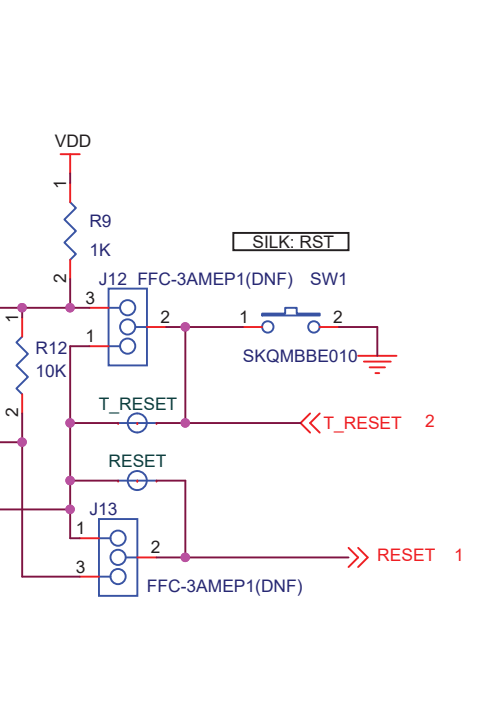
Micro USB I/F



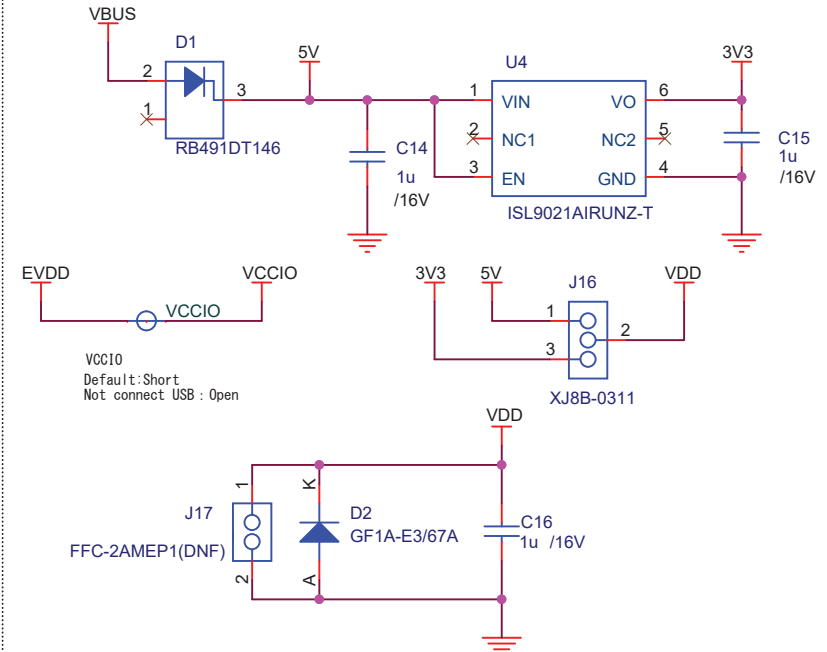
E2 Emulator I/F



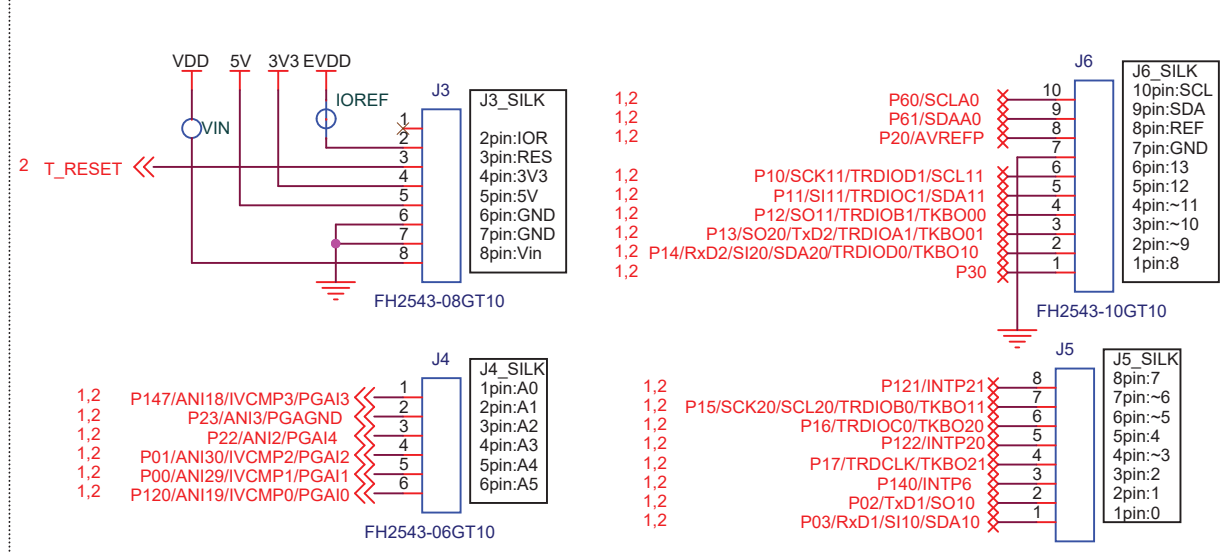
RESET



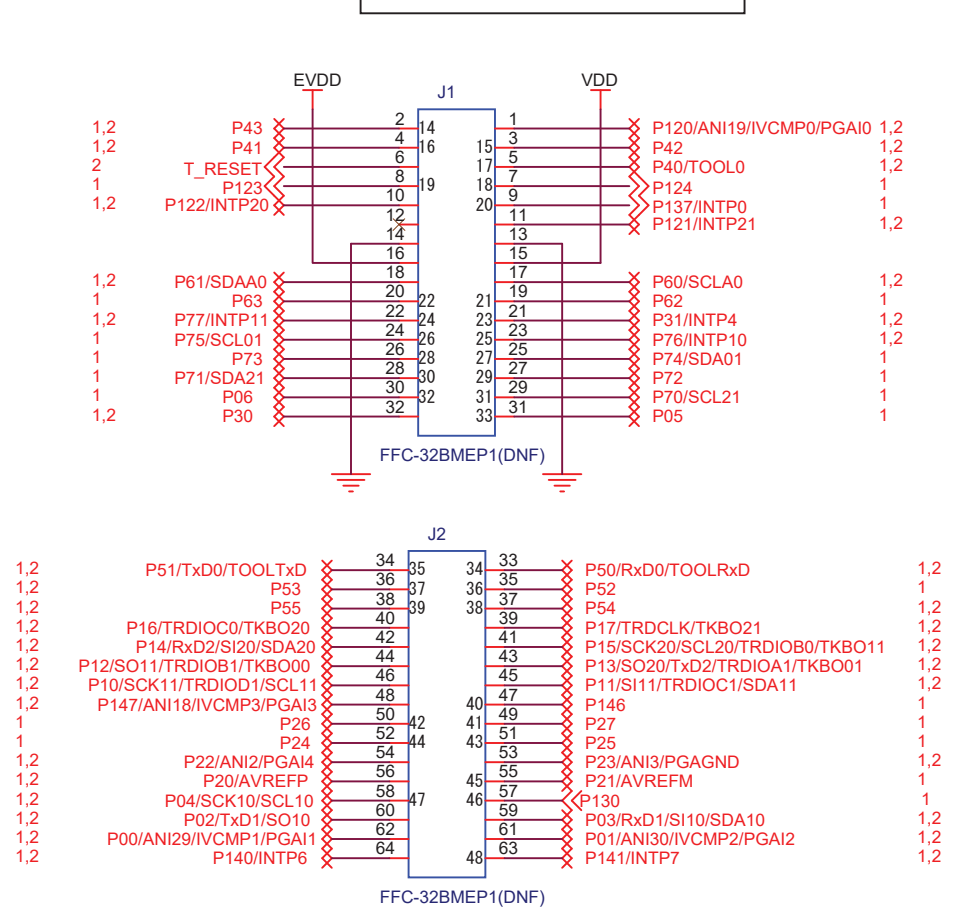
Power



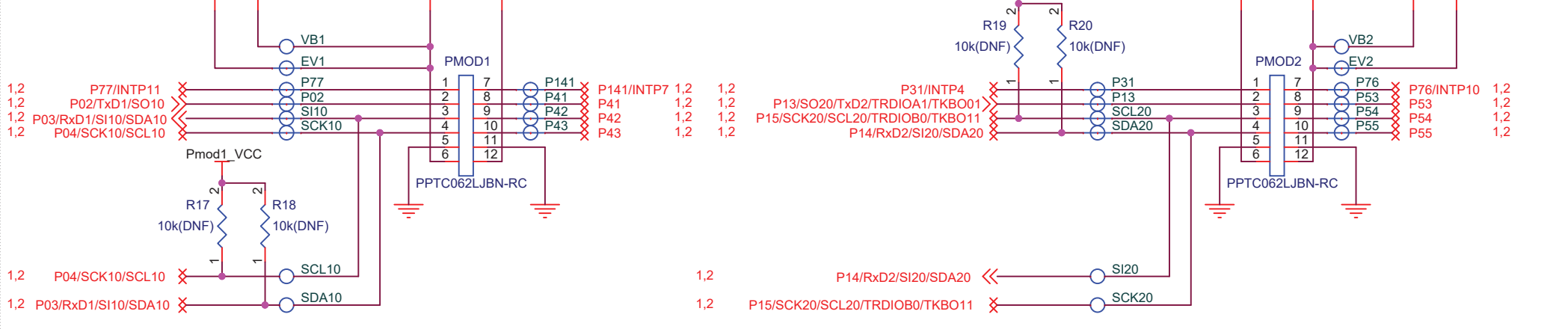
Arduino UNO R3 I/F



MCU header I/F



Pmod I/F



RENESAS		Renesas Electronics Corporation	
Title: RTK7RLG240C00000BJ			
Size: A3	Document Number: R20UT5092EJ	Rev: 1.0	
Date: Apr 16, 2023	Sheet: 2 of 2		