

RL78/G23-64p Fast Prototyping Board Schematic

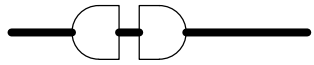
Product No: RTK7RLG230CLG000BJ

Document No:R20UT4931EJ Rev.1.00

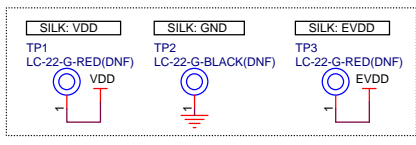
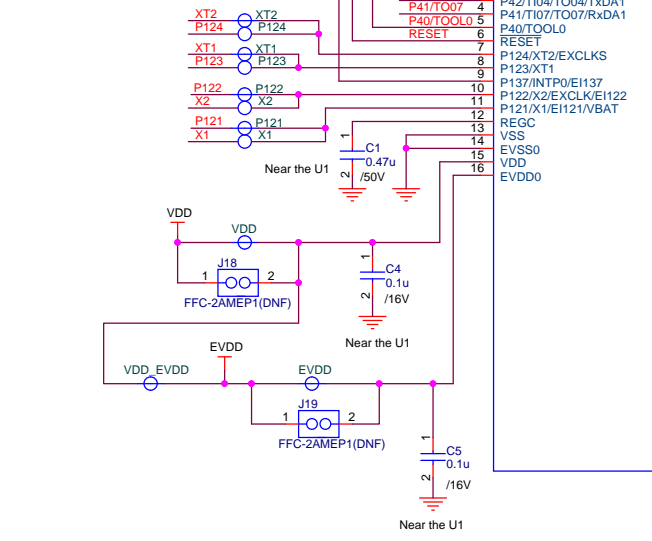
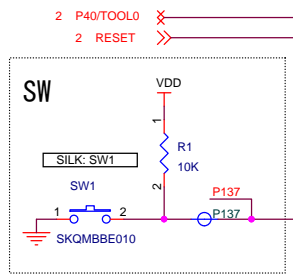
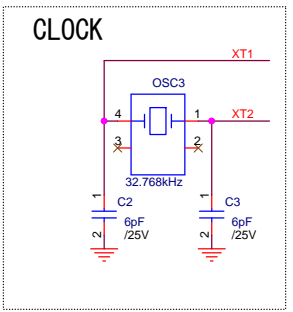
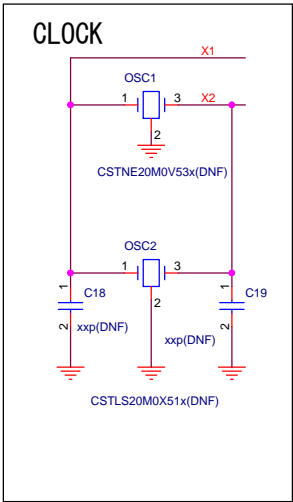
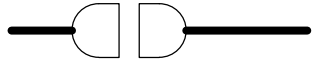
Page 1 : CPU, GROVE I/F, Arduino UNO R3 I/F, MCU Header

Page 2 : POWER, Micro USB I/F, E2 Emulator I/F, Reset

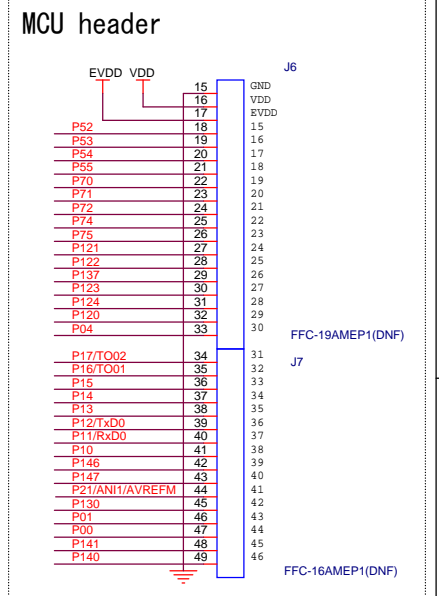
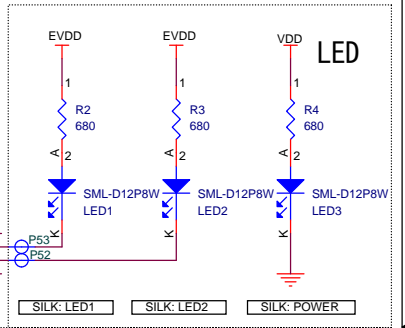
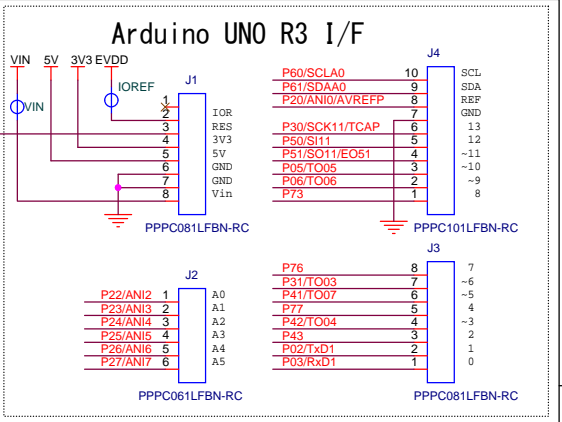
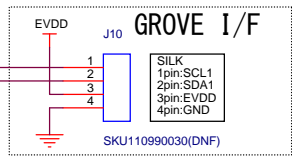
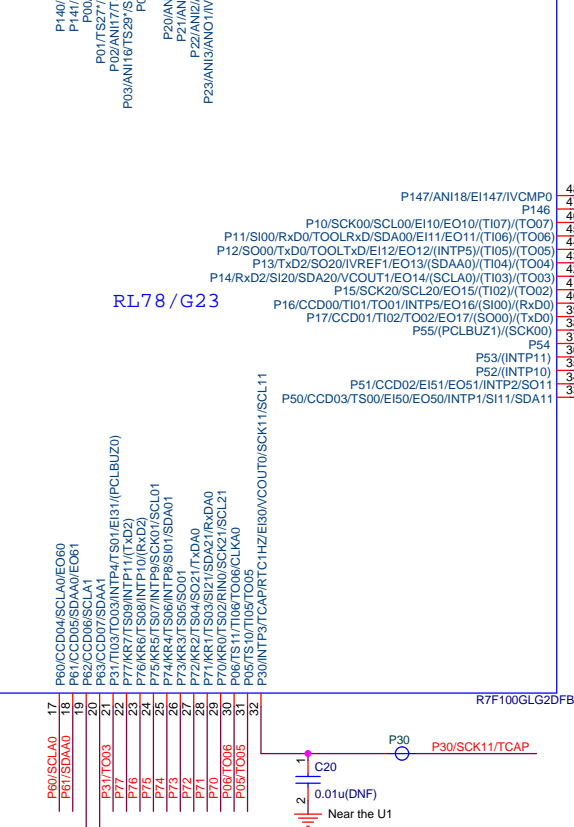
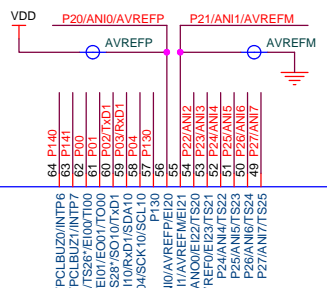
SS: short-pad (Default: shorted)



SC: short-pad (Default: open)

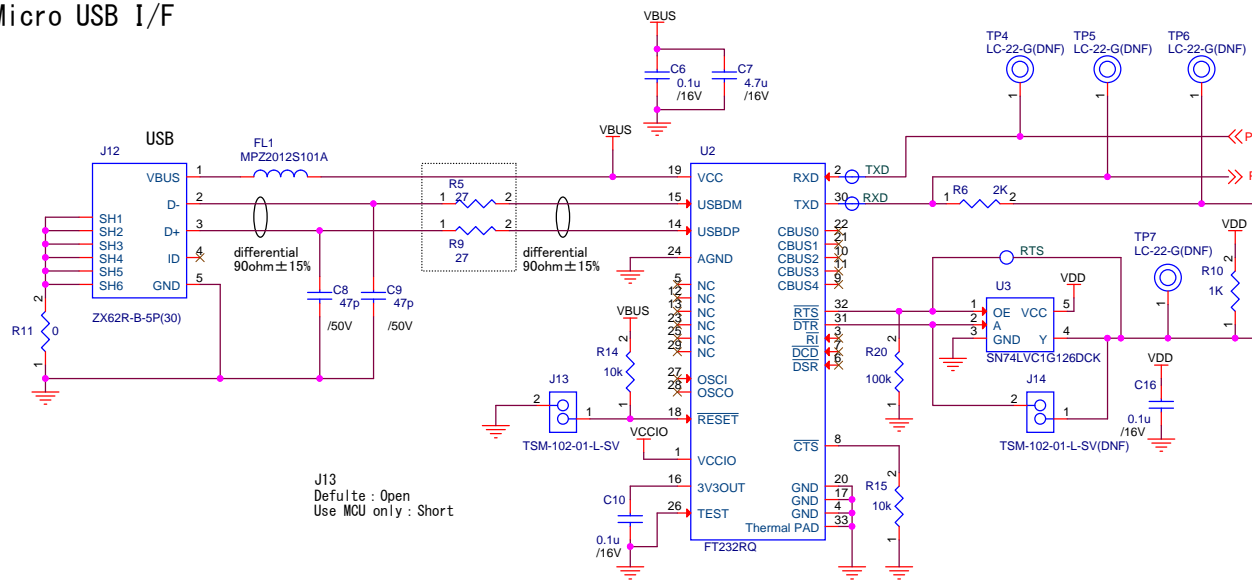


Shielded the line by GND
 OSC1, OSC2, X1, X2, XT1, XT2, RESET, T_RESET
 Thicken the power line
 VDD, EVDD, REGC, 5V, VIN, VBUS, 3V3



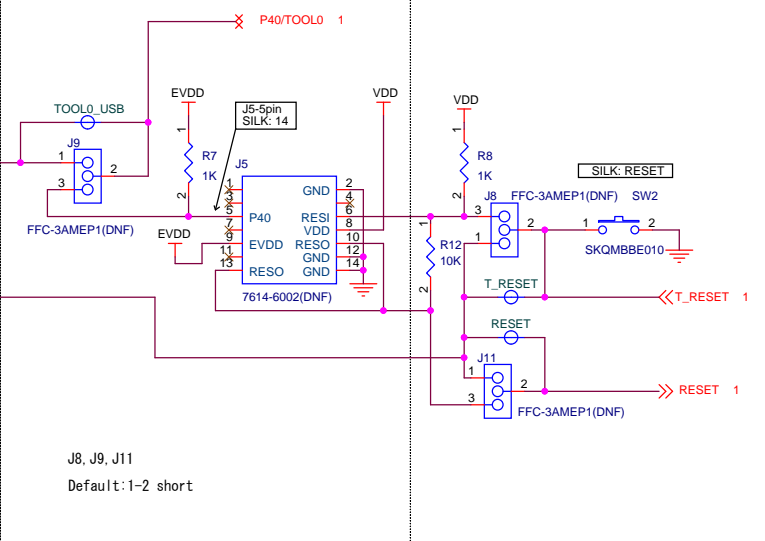
RENESAS		Renesas Electronics Corporation	
Title	RTK7RLG230CLG000BJ		
Size	Document Number	Rev	
A3	R20UT4931EJ	1.00	
Date:	January 16, 2021	Sheet	1 of 2

Micro USB I/F



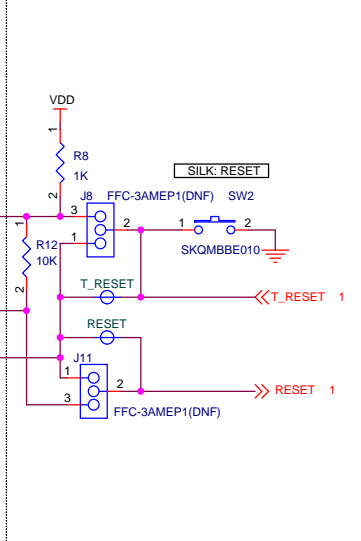
J13
Default: Open
Use MCU only: Short

E2 Emulator I/F

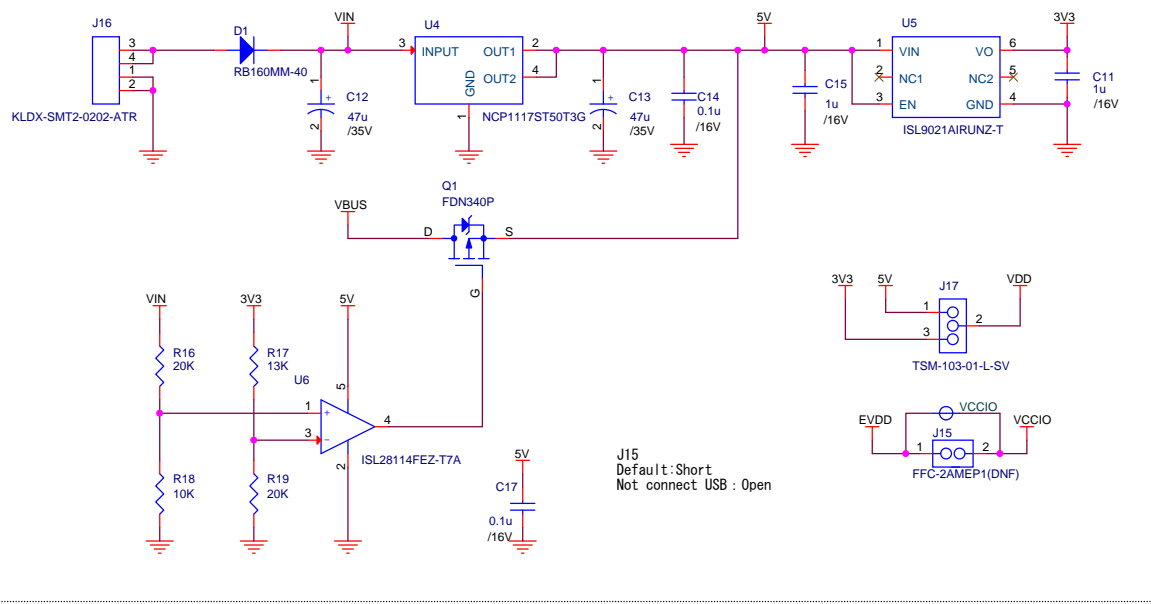


J8, J9, J11
Default: 1-2 short

RESET



LDO



J15
Default: Short
Not connect USB: Open