

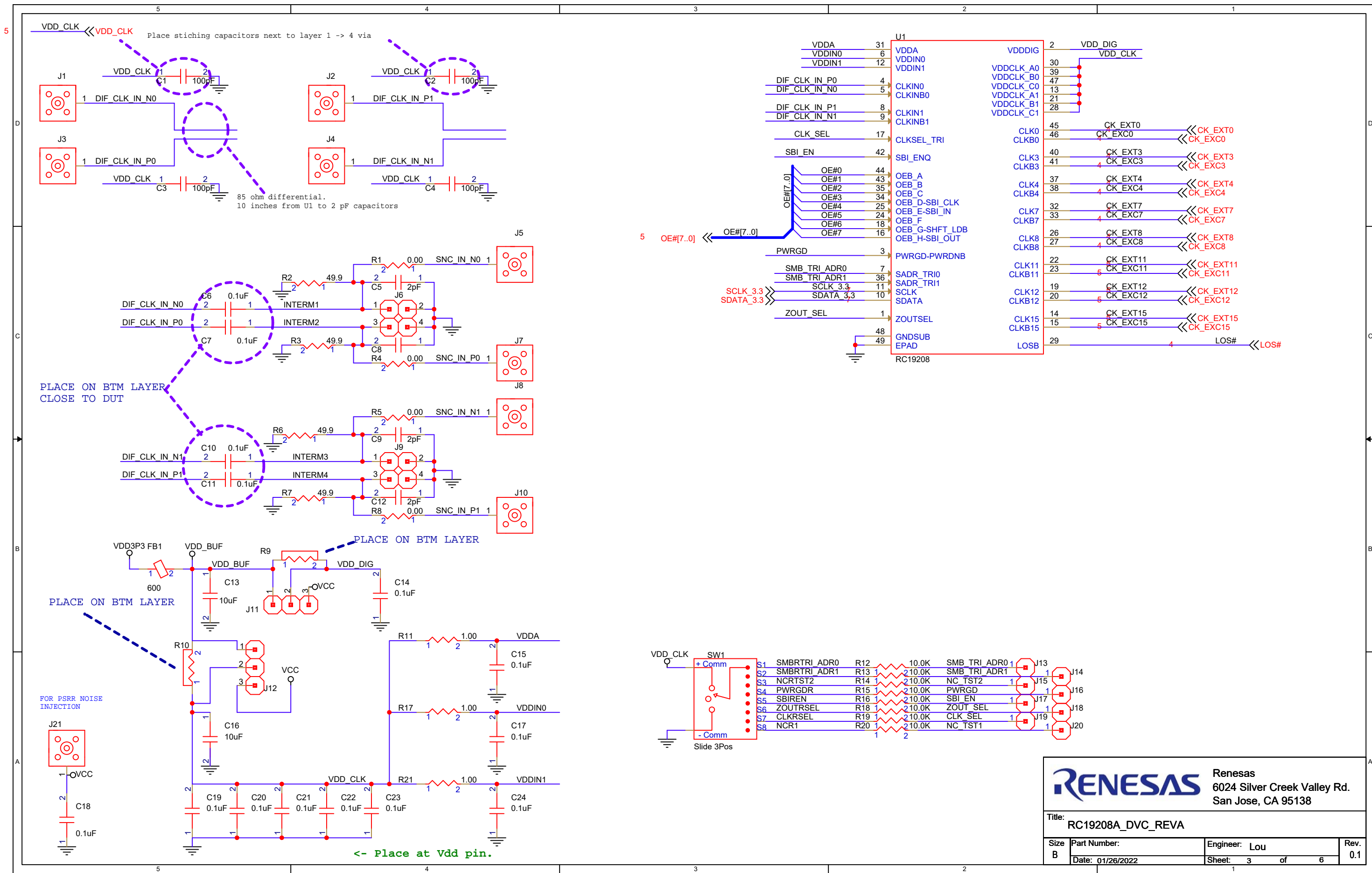


# RC19208A\_DVC\_REVA

		Renesas 6024 Silver Creek Valley Rd. San Jose, CA 95138	
Title: RC19208A_DVC_REVA 85 ohm			
Size B	Part Number:	Engineer: LOU POITRAS	Rev. 0.1
	Date: 01/26/2022	Sheet: 1 of 6	

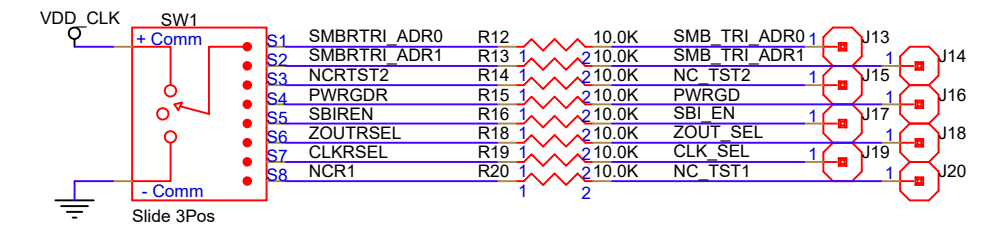
REV.	DESCRIPTION	DATE	ENGINEER

 <b>RENESAS</b> Renesas 6024 Silver Creek Valley Rd. San Jose, CA 95138			
Title: RC19208A_DVC_REVA			
Size	Part Number:	Engineer: Joe	Rev.
B	Date: 01/26/2022	Sheet: 2 of 6	0.1



U1

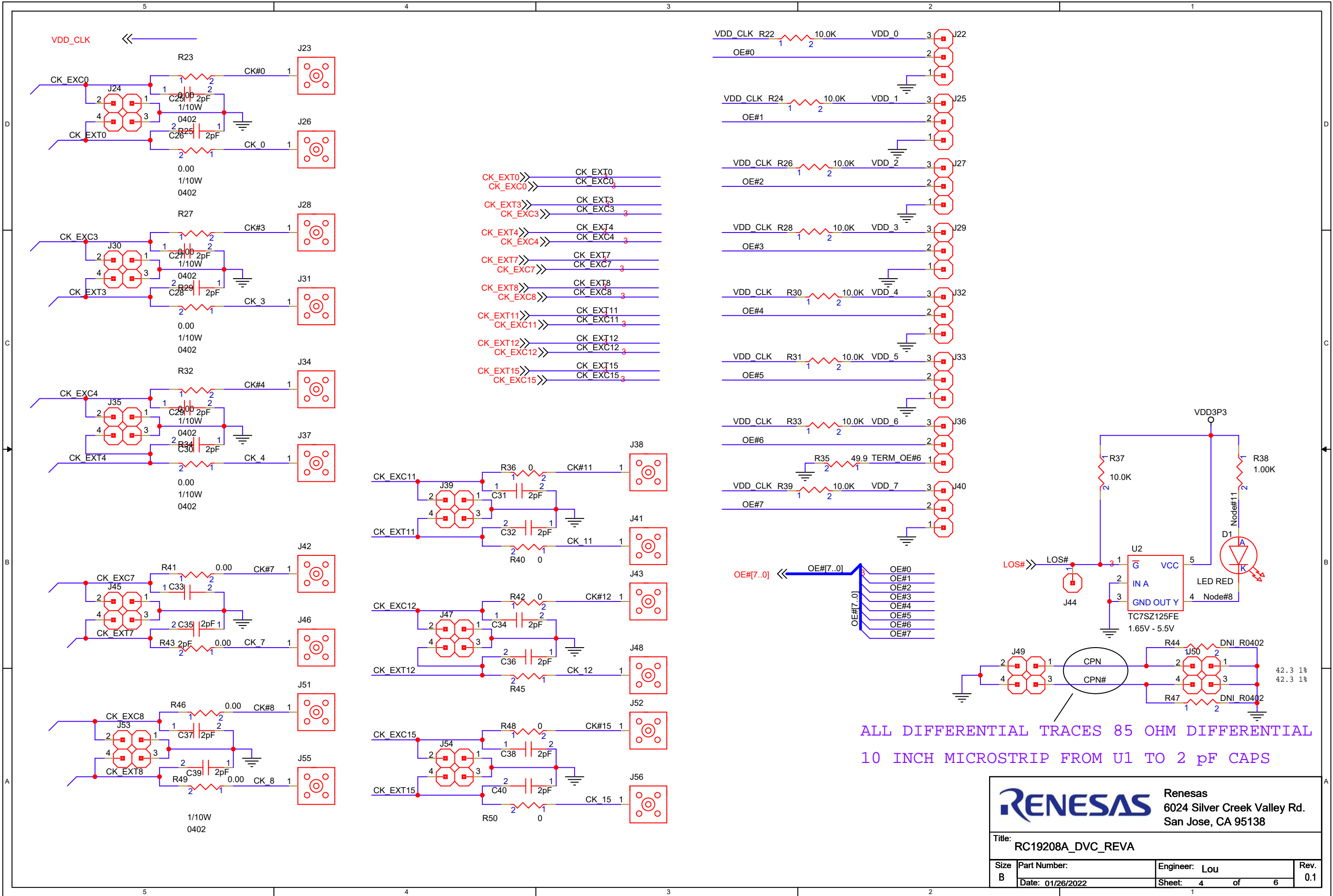
VDDA	31	VDDA	2	VDD_DIG	2	VDD_CLK
VDDIN0	6	VDDIN0	30	VDD_DIG	39	
VDDIN1	12	VDDIN1	47	VDD_DIG	21	
DIF_CLK_IN_P0	4	CLKIN0	45	CK_EXT0	4	CK_EXT0
DIF_CLK_IN_N0	5	CLKINB0	46	CK_EXC0	4	CK_EXC0
DIF_CLK_IN_P1	8	CLKIN1	40	CK_EXT3	4	CK_EXT3
DIF_CLK_IN_N1	9	CLKINB1	41	CK_EXC3	4	CK_EXC3
CLK_SEL	17	CLKSEL_TRI	37	CK_EXT4	4	CK_EXT4
SBI_EN	42	SBI_ENQ	38	CK_EXC4	4	CK_EXC4
OE#0	44	OEB_A	32	CK_EXT7	4	CK_EXT7
OE#1	43	OEB_B	33	CK_EXC7	4	CK_EXC7
OE#2	35	OEB_C	26	CK_EXT8	4	CK_EXT8
OE#3	34	OEB_D-SBI_CLK	27	CK_EXC8	4	CK_EXC8
OE#4	25	OEB_E-SBI_IN	22	CK_EXT11	5	CK_EXT11
OE#5	24	OEB_F	23	CK_EXC11	5	CK_EXC11
OE#6	18	OEB_G-SHFT_LDB	19	CK_EXT12	5	CK_EXT12
OE#7	16	OEB_H-SBI_OUT	20	CK_EXC12	5	CK_EXC12
PWRGD	3	PWRGD-PWRDNB	14	CK_EXT15	5	CK_EXT15
SMB_TRI_ADR0	7	SADR_TRI0	15	CK_EXC15	5	CK_EXC15
SMB_TRI_ADR1	36	SADR_TRI1	29	LOS#	4	LOS#
SCLK_3.3	11	SCLK				
SDATA_3.3	10	SDATA				
ZOUT_SEL	1	ZOUTSEL				
		GNDSUB				
		EPAD				
		RC19208				



**RENESAS** Renesas  
6024 Silver Creek Valley Rd.  
San Jose, CA 95138

Title: RC19208A\_DVC\_REVA

Size B	Part Number:	Engineer: Lou	Rev. 0.1
	Date: 01/26/2022	Sheet: 3 of 6	

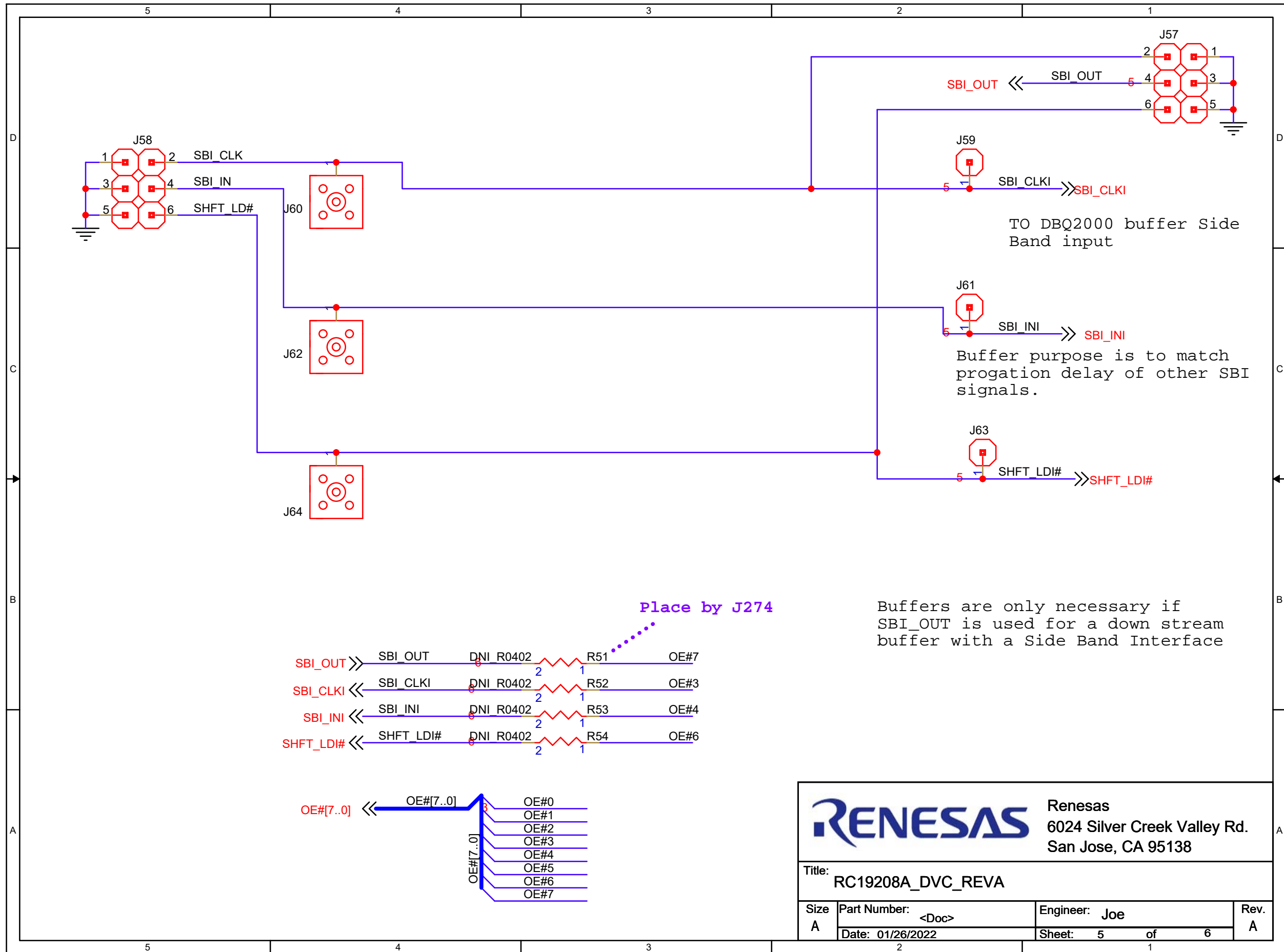


- CK\_EXT0 >> CK\_EXT0
- CK\_EXC0 >> CK\_EXC0
- CK\_EXT3 >> CK\_EXT3
- CK\_EXC3 >> CK\_EXC3
- CK\_EXT4 >> CK\_EXT4
- CK\_EXC4 >> CK\_EXC4
- CK\_EXT7 >> CK\_EXT7
- CK\_EXC7 >> CK\_EXC7
- CK\_EXT8 >> CK\_EXT8
- CK\_EXC8 >> CK\_EXC8
- CK\_EXT11 >> CK\_EXT11
- CK\_EXC11 >> CK\_EXC11
- CK\_EXT12 >> CK\_EXT12
- CK\_EXC12 >> CK\_EXC12
- CK\_EXT15 >> CK\_EXT15
- CK\_EXC15 >> CK\_EXC15

- OE#[7..0] << OE#[7..0]
- OE#0
- OE#1
- OE#2
- OE#3
- OE#4
- OE#5
- OE#6
- OE#7

ALL DIFFERENTIAL TRACES 85 OHM DIFFERENTIAL  
10 INCH MICROSTRIP FROM U1 TO 2 pF CAPS

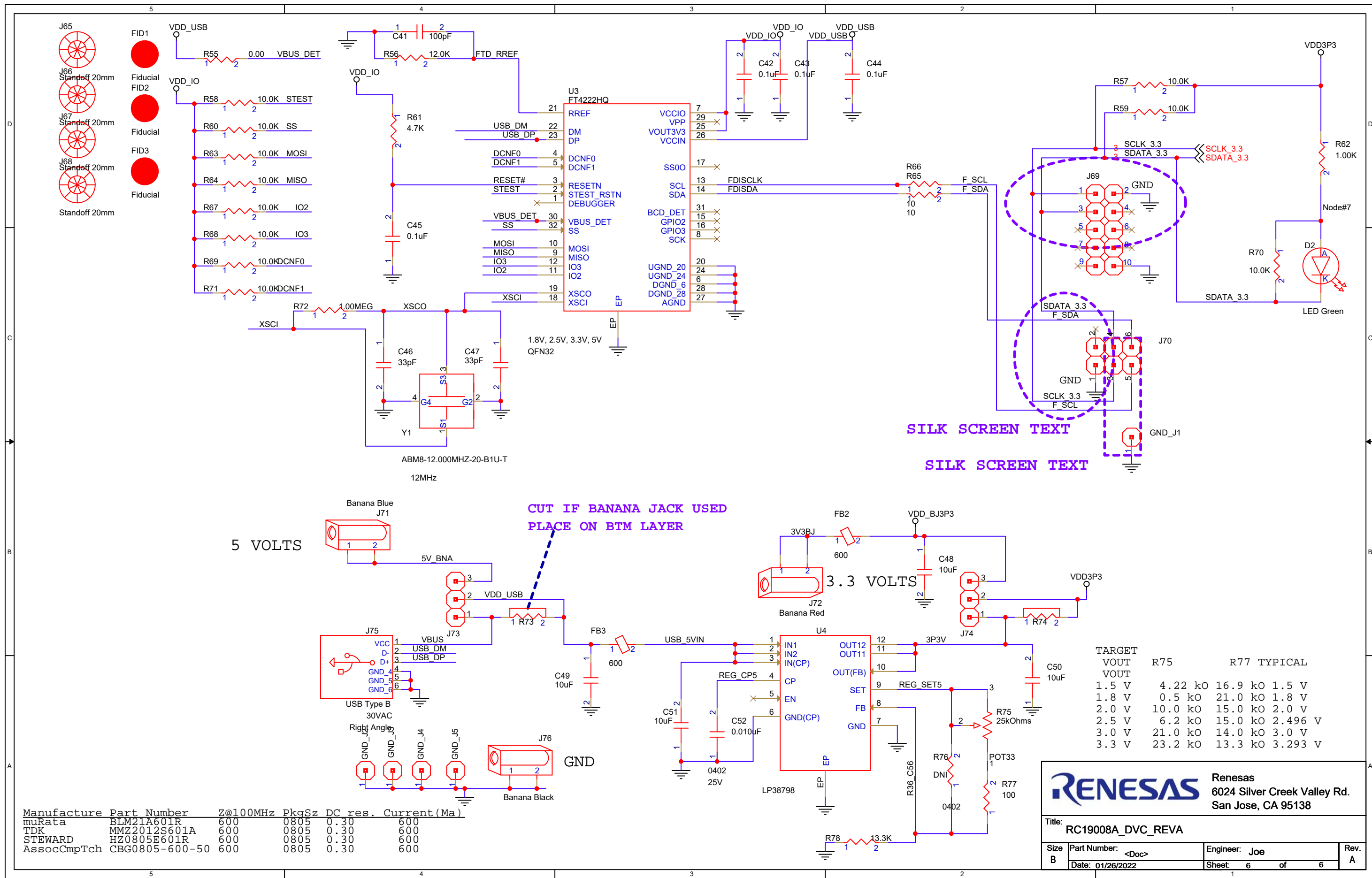
<b>RENESAS</b>		Renesas 6024 Silver Creek Valley Rd. San Jose, CA 95138	
Title: RC19208A_DVC_REVA			
Size B	Part Number:	Engineer: Lou	Rev. 0.1
	Date: 01/26/2022	Sheet: 4 of 6	



**RENESAS** Renesas  
6024 Silver Creek Valley Rd.  
San Jose, CA 95138

Title: RC19208A\_DVC\_REVA

Size A	Part Number: <Doc>	Engineer: Joe	Rev. A
	Date: 01/26/2022	Sheet: 5 of 6	



CUT IF BANANA JACK USED  
PLACE ON BTM LAYER

5 VOLTS

3.3 VOLTS

TARGET VOUT	R75	R77 TYPICAL	V
1.5 V	4.22 kΩ	16.9 kΩ	1.5 V
1.8 V	0.5 kΩ	21.0 kΩ	1.8 V
2.0 V	10.0 kΩ	15.0 kΩ	2.0 V
2.5 V	6.2 kΩ	15.0 kΩ	2.496 V
3.0 V	21.0 kΩ	14.0 kΩ	3.0 V
3.3 V	23.2 kΩ	13.3 kΩ	3.293 V

Manufacture	Part Number	Z@100MHz	PkgSz	DC res.	Current (Ma)
muRata	BLM21A601R	600	0805	0.30	600
TDK	MMZ2012S601A	600	0805	0.30	600
STEWART	HZ0805E601R	600	0805	0.30	600
AssocCmpTch	CBG0805-600-50	600	0805	0.30	600

**RENESAS** Renesas  
6024 Silver Creek Valley Rd.  
San Jose, CA 95138

Title: RC19008A\_DVC\_REVA

Size B	Part Number: <Doc>	Engineer: Joe	Rev. A
	Date: 01/26/2022	Sheet: 6 of 6	